

Specification for Electro-Magnetic Audio Transducer

The Electro-magnetic Audio Transducer including all material and solder joints must be free from lead and other restricted substances as per customer requirement.

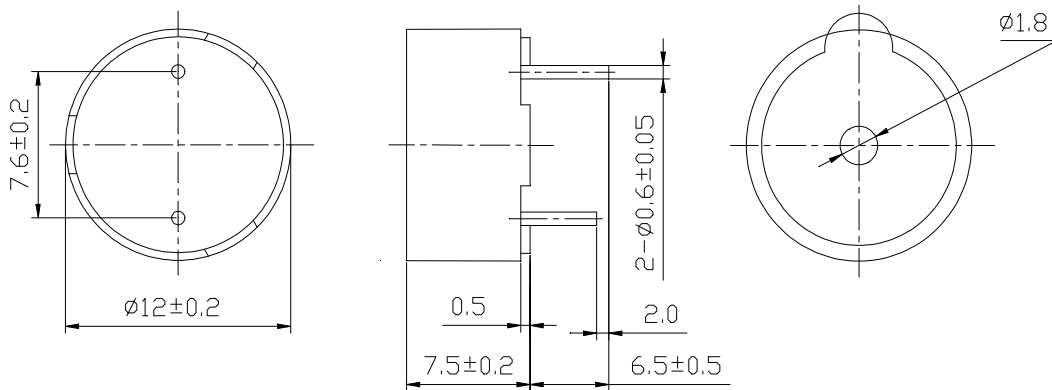
● *Technical terms*

Type	HCM1206UX-G
Rated Voltage (V)	5
Operating Voltage (V)	3~7
*Rated Current (mA)	Max.30
*Sound Output at 10cm (dB)	Min.83
* Resonant Frequency (KHz)	2.3 ± 0.4
Δ Response Time (ms)	Max.50
Operating Temperature (°C)	-40~+85
Storage Temperature (°C)	-40~+85
Weight (g)	2

* Value applying rated voltage (DC)

Δ Value applying (Min. operating DC.voltage)

DIMENSIONS Unit:mm



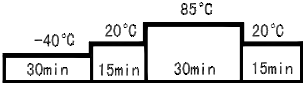
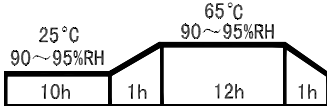
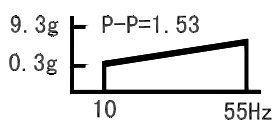
				Date	2005.10.30	Specification for Electro-Magnetic Audio Transducer HCM1206UX-G
				Name	Wangjing	
					YangWenjin	
					JinGuoxing	
						051030.1
A						
Issue	Note	Date	Name			Page1/2

MOBICON
Electronic Components

MEC

Specification for Electro-Magnetic Audio Transducer

Reliability test

ITEM	METHOD OF TEST	STANDARD
Storage in high temp	Storage in +85° C test box for 96 hours , then expose to the room temperature for 2 hours without applying power .	All specifications must be satisfied in this condition .
Storage in low temp	Storage in -40° C test box for 96 hours , then expose to the room temperature for 2 hours without applying power .	All specifications must be satisfied in this condition .
Life test in the room temp	Operate continuously for 1000 hours with applying rated voltage .	All specifications must be satisfied in this condition .
Life test in high temp	Operate continuously in +85° C for 500 hours applying 7V .	All specifications must be satisfied in this condition .
Life test in low temp	Operate continuously in -40° C for 500 hours applying 3V .	All specifications must be satisfied in this condition .
Temperature cycle test	 <p>Make this test 5 cycles without applying power , then expose to the room temperature for 2 hours .</p>	All specifications must be satisfied in this condition .
Humidity cycle test	 <p>Make this test 5 cycles without applying power , then expose to the room temperature for 2 hours .</p>	All specifications must be satisfied in this condition .
Vibration	 <p>Make this test for the directions of X , Y and Z for 2 hours each (total 6 hours) . To-and-fro sweep times 1 minute .</p>	All specifications must be satisfied in this condition .
Drop test	Drop a buzzer naturally from the height of 1m to the surface 1 mm thick wooden board . Three directions(X , Y & Z) .	All specifications must be satisfied in this condition .
Solderability test	Soldering temperature : 260 ° C Heat applying time : 3 sec .	All specifications must be satisfied in this condition .

				Date	2005.10.30	Specification for Electro-Magnetic Audio Transducer HCM1206UX-G
				Name		
						051030.1
A						
Issue	Note	Date	Name			Page2/2



