

Features

- ★ High- Stability
- ★ Small package
- ★ Wide Frequency Range
- ★ Low Profile
- ★ Suitable for small Telecommunication equipment

Applications

- ★ Microprocessor Systems
- ★ Telecommunication equipment
- ★ Instrumentation
- ★ Remote Control
- ★ Consumer Electronics
- ★ Audio / Video



Specifications (Characteristics)

Item	Symbol	Specification
Frequency Range	f	3.2 ~ 100MHz
Vibration Mode	-	Fund. (3.2 ~ 36MHz) 3rd O/T (26 ~ 100MHz)
Frequency Tolerance at 25°C	$\Delta f/f$	± 10 ppm ± 20 ppm ± 30 ppm ★
Frequency Stability over Operating Temperature	$\Delta f/f$	± 5 ppm ± 10 ppm ± 20 ppm ± 30 ppm ★
Load Capacitance	CL	16 ~ 32pF or series
Operating Temp. Range	Topr	-10°C ~ +60°C ★ -20°C ~ +70°C
Storage Temp. Range	Tstg	-30°C ~ +80°C
Equivalent Series Resistance(ESR)	Rs	See Table 1
Drive Level	PWR	100 μ W
Shunt Capacitance	C0	7.0pF Max.
Insulation Resistance	IR	500M Ω at DC100 V
Aging Level	fa	± 5.0 ppm/yr
Packing		Tape and Reel 1,000pcs per reel. 10,000pcs per export

★ Commonly used

Part Number and Ordering

Part Number Code	Holder Type + Frequency + Mode of Vibration + Tolerance/Stability + RS + CI
Ordering Code	Same as Above
Example	49S4HSMD-36M-3rd-30/30-40 Ω -30P

Dimension (Unit: mm)

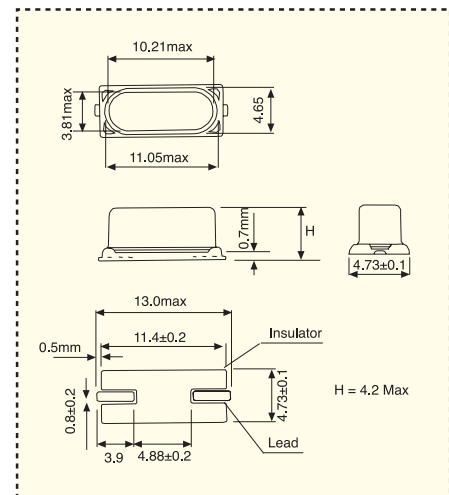


Table 1

Frequency (MHz)	Vibration Mode	ESR Max Ω
3.2 ~ 3.4	Fundamental	180
3.5 ~ 4.49	Fundamental	150
4.5 ~ 5.99	Fundamental	120
6.0 ~ 7.99	Fundamental	100
8.0 ~ 9.99	Fundamental	80
10.0 ~ 11.9	Fundamental	70
12.0 ~ 15.9	Fundamental	60
16.0 ~ 19.9	Fundamental	50
20.0 ~ 25.9	Fundamental	40
26.0 ~ 39.9	3rd O/T	100
40.0 ~ 100.0	3rd O/T	80