

1

2

3

4

SPECIFICATION

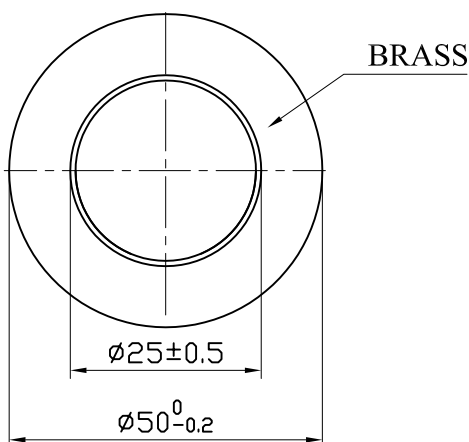
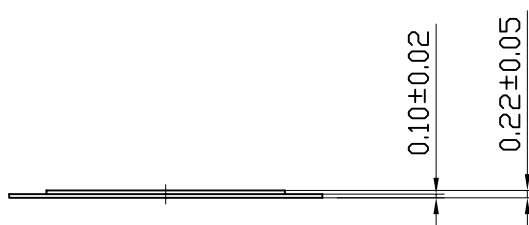
1. SCOPE

This specification is applied to the piezo-element.

2. SPECIFICATION

(at 25°C)

2.1 Resonant Frequency	:	1.3± 0.5KHz
2.2 Resonant Resistace	:	500 Ω max
2.3 Capacitance	:	80000pF± 30% at 100Hz
2.4 Input Voltage	:	30Vp-p max
2.5 Operating Temperature	:	-20~+60°C
2.6 Storage Temperature	:	-20~+70°C
3. DIMENSION	:	as per figure

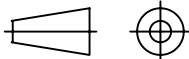


TOLERANCES UNLESS NOTED OTHERWISE

.X ±
.XX ±
.XXX ±

90° FORMED +2°
ANGLES -1°

FIRST ANGLE PROJECTION



DRAWN

DESIGN

CHECKED

APPROVED

DATE

07.08.13

CONTRACT NO.

AGENCY APPROVAL

KEPO MODEL NO.

FT-50T-1.3A1

DWG NO.

KP3.844.844

KEPO CO., LTD.

CUSTOMER

CUSTOMER NO.

VER

1.1

SCALE

UNIT

mm

SHEET

TEL:(+86)574-88370330

FAX:(+86)574-88370329

1

2

3

4