

# SPECIFICATION

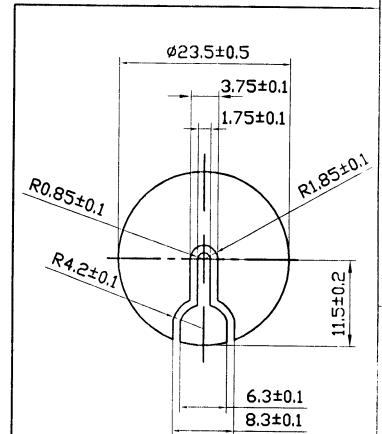
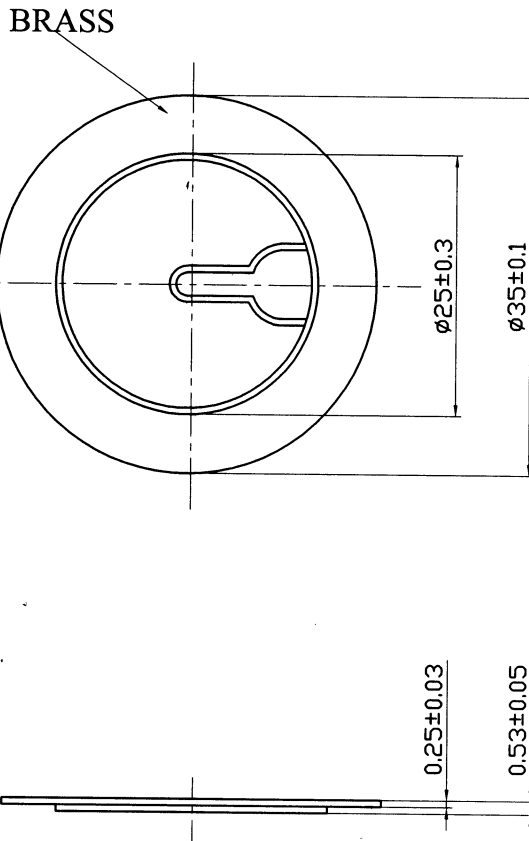
## 1. SCOPE

This specification is applied to the piezo-element.

## 2. SPECIFICATION

(at 25°C)

2.1 Resonant Frequency	:	2.9 ± 0.5 KHz
2.2 Resonant Resistace	:	500 Ω MAX
2.3 Capacitance	:	25000 pF ± 30% at 100Hz
2.4 Input Voltage	:	30 Vp-p max
2.5 Operating Temperature	:	-20~+60°C
2.6 Storage Temperature	:	-20~+70°C
3. DIMENSION	:	as per figure



TOLERANCES UNLESS NOTED OTHERWISE .X ± .XX ± .XXX ± 90° FORMED +2° ANGLES -1°	DRAWN	<i>江 志</i>	KEPO MODEL NO.	CUSTOMER													
	DESIGN		FT-35T-2.9B1	CUSTOMER NO.													
	CHECKED																
	APPROVED	<i>江 志</i>	DWG NO.	<table border="1" style="width: 100%; border-collapse: collapse;"> <tr> <td style="width: 5%;">VER</td> <td style="width: 10%;">1.0</td> <td style="width: 10%;">SCALE</td> <td colspan="2"></td> </tr> <tr> <td>UNIT</td> <td>mm</td> <td>SHEET</td> <td colspan="2"></td> </tr> </table>				VER	1.0	SCALE			UNIT	mm	SHEET		
	VER	1.0	SCALE														
	UNIT	mm	SHEET														
	DATE	07.09.26	KP3.847.765	<table border="1" style="width: 100%; border-collapse: collapse;"> <tr> <td colspan="2" style="font-size: 1.2em; font-weight: bold;">KEPO CO., LTD.</td> <td colspan="2">TEL: (+86)574-88370330</td> </tr> <tr> <td colspan="2"></td> <td colspan="2">FAX: (+86)574-88370329</td> </tr> </table>				KEPO CO., LTD.		TEL: (+86)574-88370330				FAX: (+86)574-88370329			
KEPO CO., LTD.		TEL: (+86)574-88370330															
		FAX: (+86)574-88370329															
CONTRACT NO.																	
AGENCY APPROVAL																	
FIRST ANGLE PROJECTION 																	

1

2

3

4