

# SPECIFICATION

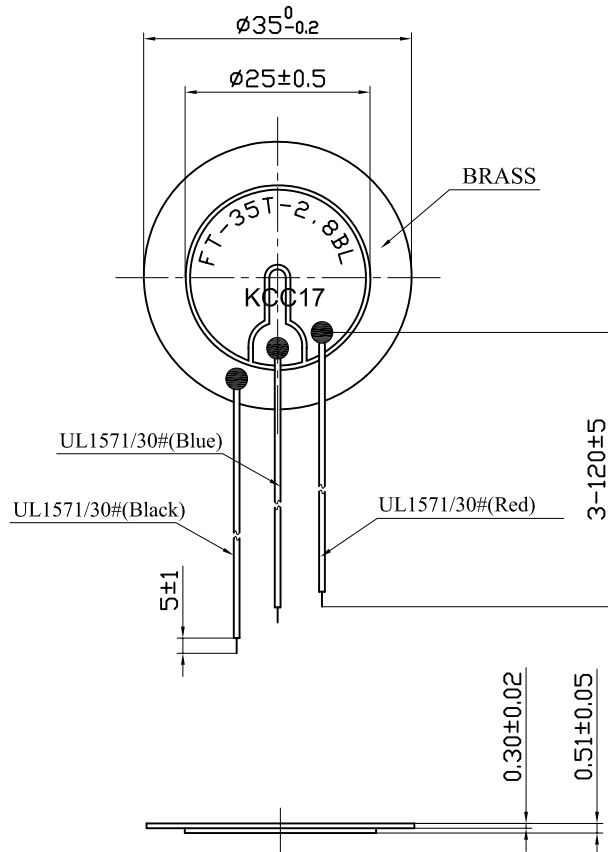
## 1. SCOPE

This specification is applied to the piezo-element.

## 2. SPECIFICATION

(at 25°C)

- |                           |   |                         |
|---------------------------|---|-------------------------|
| 2.1 Resonant Frequency    | : | 2.8 ± 0.5 KHz           |
| 2.2 Resonant Resistance   | : | 500 Ω max               |
| 2.3 Capacitance           | : | 30000 pF ± 30% at 100Hz |
| 2.4 Input Voltage         | : | 30 Vp-p max             |
| 2.5 Operating Temperature | : | -20 ~ +50°C             |
| 2.6 Storage Temperature   | : | -20 ~ +70°C             |
| 3. DIMENSION              | : | as per figure           |



TOLERANCES UNLESS NOTED OTHERWISE .X ± .XX ± .XXX ± 90° FORMED +2° ANGLES -1°  FIRST ANGLE PROJECTION 	DRAWN		KEPO MODEL NO.	CUSTOMER				
	DESIGN		FT-35T-2.8BL120	QUARTZ-1				
	CHECKED			CUSTOMER NO.				
	APPROVED		DWG NO.	KCC17	VER	1.0	SCALE	
	DATE	08.07.22			UNIT	mm	SHEET	
	CONTRACT NO.			<b>KEPO CO., LTD.</b>	TEL: (+86)574-88370330			
AGENCY APPROVAL			FAX: (+86)574-88370329					