

1

2

3

4

SPECIFICATION

受 控

1. SCOPE

This specification is applied to the piezo-element.

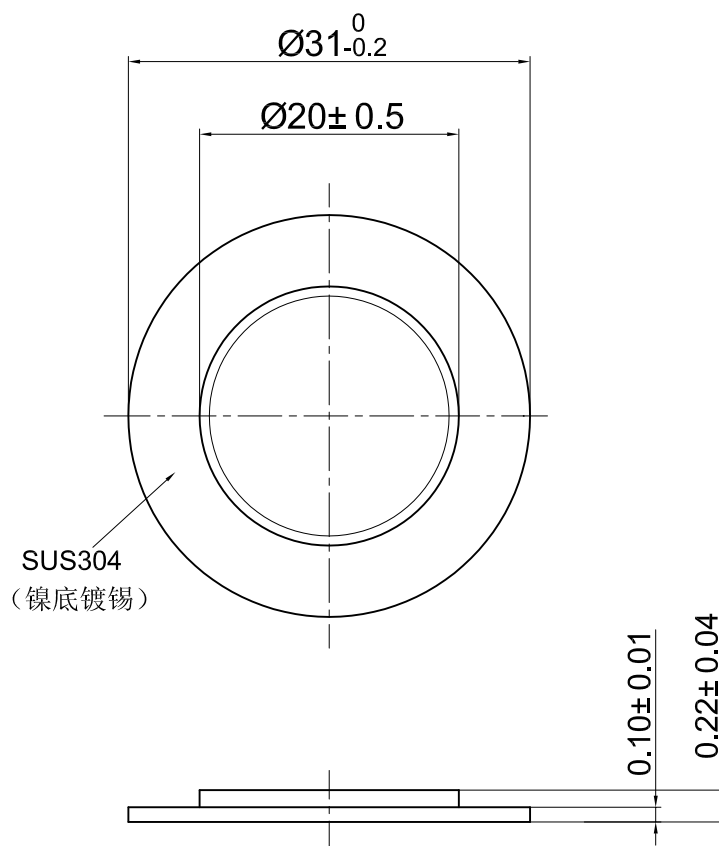
2. SPECIFICATION

(at $20 \pm 5^\circ\text{C}$)

- | | | |
|--|---|-----------------------------|
| 2.1 Resonant Frequency | : | 1.3~2.2 kHz |
| 2.2 Resonant Resistace | : | 800 Ω max |
| 2.3 Capacitance | : | 60000 pF \pm 30% at 100Hz |
| 2.4 Input Voltage | : | 30 Vp-p max |
| 2.5 Operating Temperature | : | -20~+80 $^\circ\text{C}$ |
| 2.6 Storage Temperature | : | -30~+90 $^\circ\text{C}$ |
| 2.7 Insulation Resistance (at 25VD.C.) | : | 50M Ω min. |

3. DIMENSION

: as per figure

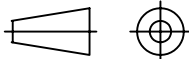


TOLERANCES UNLESS NOTED OTHERWISE

.X \pm
.XX \pm
.XXX \pm

90° FORMED +2°
ANGLES -1°

FIRST ANGLE PROJECTION



DRAWN

汪逸

KEPO MODEL NO.

CUSTOMER

DESIGN

FT-31GX-1.5A1

CUSTOMER NO.

CHECKED

DWG NO.

APPROVED

徐锦生

KC3.001.283

DATE

13.04.19

VER

1.0

SCALE

CONTRACT NO.

UNIT

mm

SHEET

AGENCY APPROVAL

KEPO CO., LTD.

TEL:(+86)574-88370330

FAX:(+86)574-88370329

1

2

3

4