

1

2

3

4

受 控

SPECIFICATION

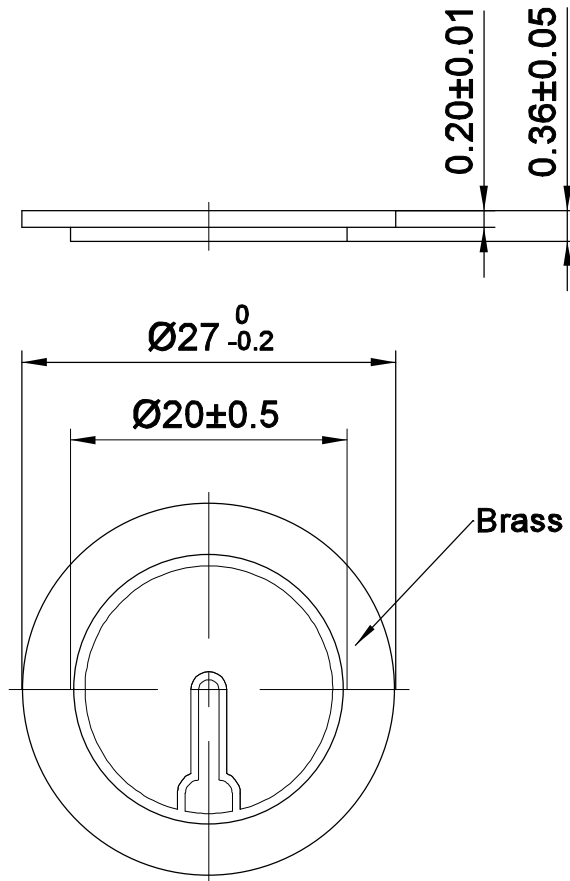
1. SCOPE

This specification is applied to the piezo-element.

2. SPECIFICATION

(at 25°C)

2.1 Resonant Frequency	:	3.0~3.2 kHz
2.2 Resonant Resistace	:	300 Ω max
2.3 Capacitance	:	Cm:22000 pf±30% at 100Hz Cf : 1800 pf±30% at 100Hz
2.4 Input Voltage	:	30 Vp-p max
2.5 Operating Temperature	:	-30~+75°C
2.6 Storage Temperature	:	-40~+85°C
2.7 Insulation Resistance (at 25VD.C.)	:	50M Ω min.
3. DIMENSION	:	as per figure



备注: Cf / C m ≈ 0.08

TOLERANCES UNLESS NOTED OTHERWISE

.X ±

.XX ±

.XXX ±

90° FORMED +2°

ANGLES -1°

FIRST ANGLE PROJECTION



1

2

3

4

A

A

B

B

C

C

D

D

DRAWN

DESIGN

CHECKED

APPROVED

DATE

16.10.27

CONTRACT NO.

AGENCY APPROVAL

KEPO MODEL NO.

FT-27T-3.0B1

DWG NO.

KP3.844.779.04

Ningbo Kepo Electronics Co.,Ltd.

CUSTOMER

CUSTOMER NO.

VER

1.0

SCALE

UNIT

mm

SHEET

TEL:(+86)574-88370330

FAX:(+86)574-88370329