

SPECIFICATION

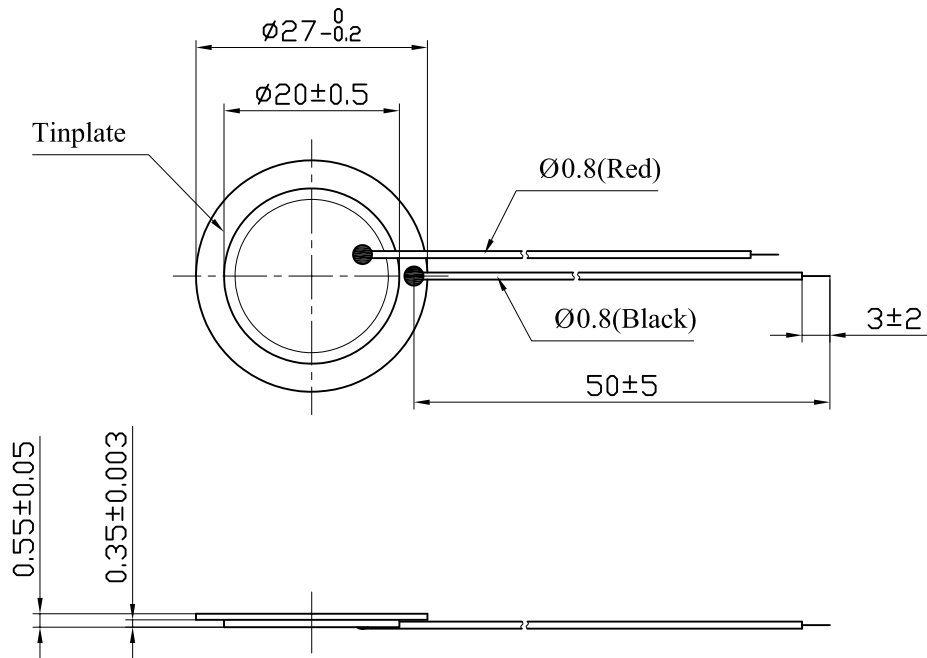
1. SCOPE

This specification is applied to the piezo-element.

2. SPECIFICATION

(at 25°C)

- | | | |
|---------------------------|---|-----------------------|
| 2.1 Resonant Frequency | : | 5.2± 0.5 KHz |
| 2.2 Resonant Resistace | : | 300 Ω max |
| 2.3 Capacitance | : | 25000pF± 30% at 100Hz |
| 2.4 Input Voltage | : | 30Vp-p max |
| 2.5 Operating Temperature | : | -20~+50°C |
| 2.6 Storage Temperature | : | -20~+60°C |
| 3. DIMENSION | : | as per figure |



TOLERANCES UNLESS NOTED OTHERWISE .X ± .XX ± .XXX ± 90° FORMED +2° ANGLES -1°	DRAWN		KEPO MODEL NO.	CUSTOMER			
	DESIGN		FT-27M-5.2AL	QUARTZ-1			
	CHECKED		DWG NO.	CUSTOMER NO.			
	APPROVED		OEM1296	VER	1.0	SCALE	
	DATE	04.10.11		UNIT	mm	SHEET	
	CONTRACT NO.			TEL:(+86)574-88370330 FAX:(+86)574-88370329			
AGENCY APPROVAL		<i>KEPO CO.,LTD.</i>					
FIRST ANGLE PROJECTION 	1	2	3	4	4	4	