

SPECIFICATION

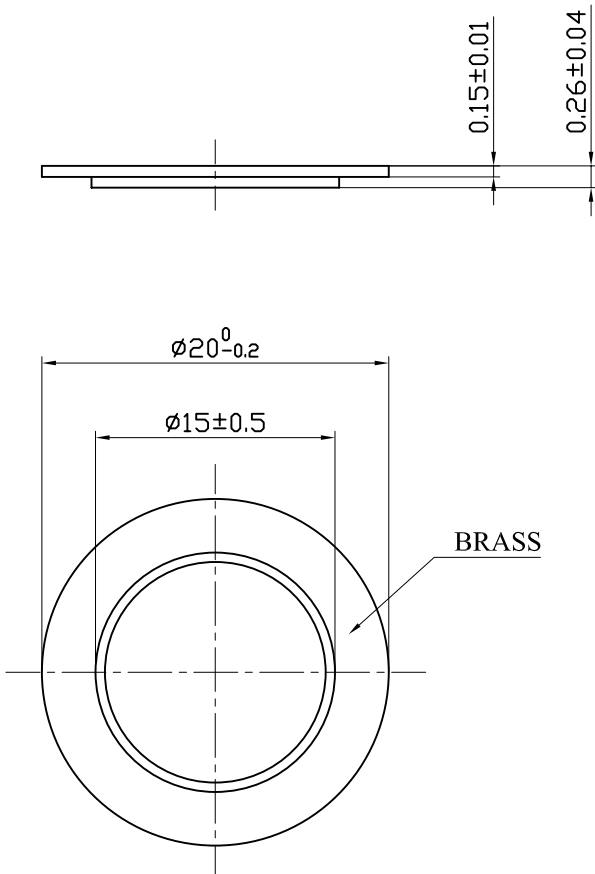
1. SCOPE

This specification is applied to the piezo-element.

2. SPECIFICATION

(at 25°C)

2.1 Resonant Frequency	:	4.0 ± 0.5 KHz
2.2 Resonant Resistace	:	300 Ω max
2.3 Capacitance	:	30000 pF ± 30% at 100Hz
2.4 Input Voltage	:	30 Vp-p max
2.5 Operating Temperature	:	-20 ~ +60 °C
2.6 Storage Temperature	:	-20 ~ +70 °C
3. DIMENSION	:	as per figure



TOLERANCES UNLESS NOTED OTHERWISE .X ± .XX ± .XXX ± 90° FORMED +2° ANGLES -1°	DRAWN		KEPO MODEL NO.	CUSTOMER			
	DESIGN		FT-20T-4.0A1	CUSTOMER NO.			
	CHECKED						
	APPROVED		DWG NO.	VER	1.0	SCALE	
	DATE	01.12.29	KP3.841.831				
	CONTRACT NO.		KEPO CO., LTD.		TEL: (+86)574-88370330		
AGENCY APPROVAL		FAX: (+86)574-88370329					

