

1

2

3

4

# SPECIFICATION

受 控

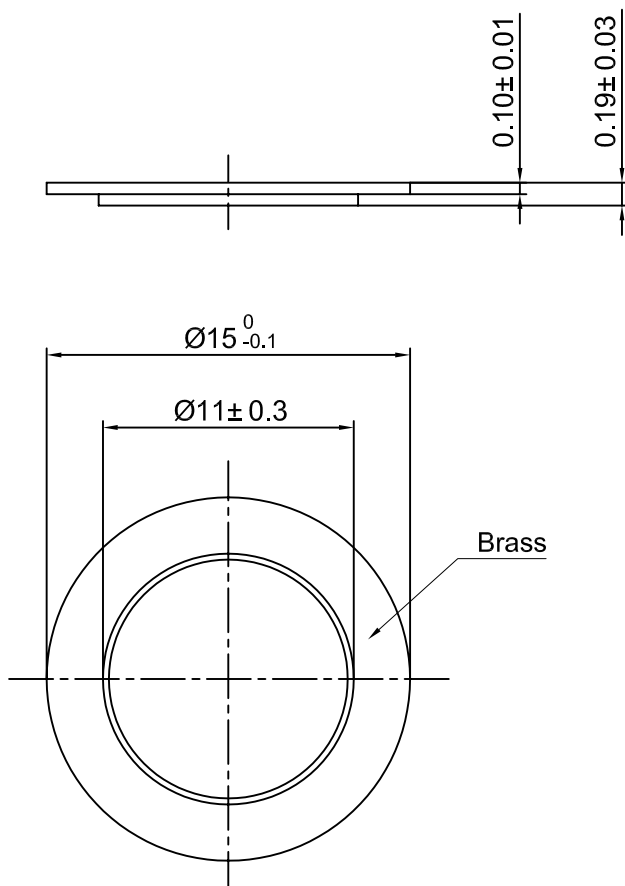
## 1. SCOPE

This specification is applied to the piezo-element.

## 2. SPECIFICATION

(at  $20 \pm 5^\circ\text{C}$ )

2.1 Resonant Frequency	:	$5.0 \pm 0.5$ KHz
2.2 Resonant Resistace	:	300 $\Omega$ max
2.3 Capacitance	:	15000 pF $\pm$ 30% at 100Hz
2.4 Input Voltage	:	30 Vp-p max
2.5 Operating Temperature	:	-20~+70 $^\circ\text{C}$
2.6 Storage Temperature	:	-30~+80 $^\circ\text{C}$
3. DIMENSION	:	as per figure

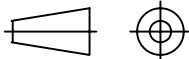


TOLERANCES UNLESS NOTED OTHERWISE

.X  $\pm$   
.XX  $\pm$   
.XXX  $\pm$

90° FORMED +2°  
ANGLES -1°

FIRST ANGLE PROJECTION



DRAWN	汪逸	KEPO MODEL NO.	CUSTOMER		
DESIGN		FT-15T-5.0A1-3	CUSTOMER NO.		
CHECKED					
APPROVED	徐锦生	DWG NO.			
DATE	11.03.30	KP3.846.793.03	VER	1.0	SCALE
CONTRACT NO.			UNIT	mm	SHEET
AGENCY APPROVAL		KEPO CO.,LTD.	TEL:(+86)574-88370330		
			FAX:(+86)574-88370329		

1

2

3

4