

SPECIFICATION

Electro-Magnetic Buzzer (With built-in oscillating circuit)

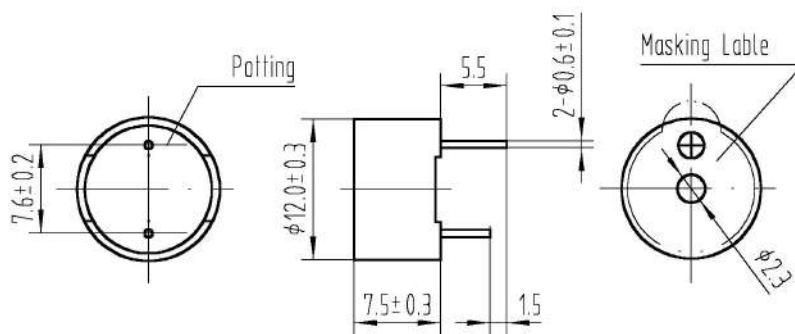
| | | |
|---|----------------------------|------------|
| 1 | Model No. | FBMB1275B2 |
| 2 | Rated Voltage (VDC) | 5 |
| 3 | Operating Voltage (VDC) | 3~12 |
| 4 | *Resonant Frequency (Hz) | 2300 ± 300 |
| 5 | *Sound Output at 10cm (dB) | ≥85 |
| 6 | *Current Consumption (mA) | ≤30 |
| 7 | Operating Temperature (°C) | -20~+70 |
| 8 | Storage Temperature (°C) | -30~+75 |
| 9 | Weight (g) | 1.6 |

*Applying rated voltage (VDC)

Dimensions

Unit: mm

Tolerance: ±0.5mm Except Specified

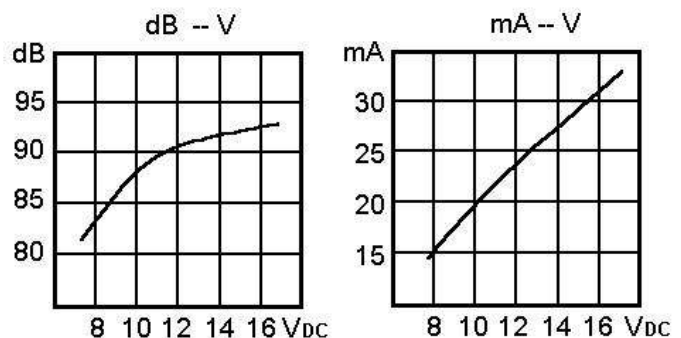
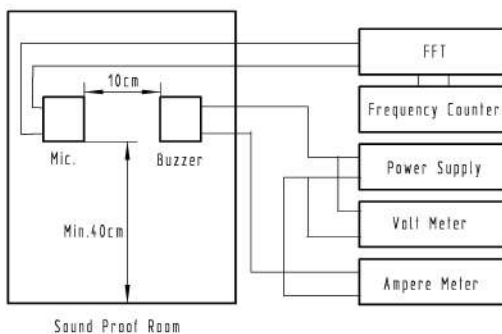


*Housing Material: Noryl

Measurement

The electrical characteristics shall be measured at 20 to 25 & relative humidity 55% max.

Input Voltage VS.
Sound Pressure Level & Current Consumption



| | | | | |
|------------|------------|-------------|------|--|
| Drawing by | Checked by | Approved by | Date | |
| | | | | |