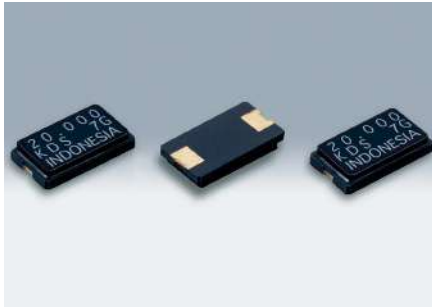


SMD Crystal Resonators / MHz Band Crystal Resonators

DSX840GA



Actual size

■ Features

- 8045 size SMD crystal resonator with a profile of 1.4mm.
- Excellent heat resistance, high precision, and high reliability.
- Suitable for digital AV equipment as well as many other applications.

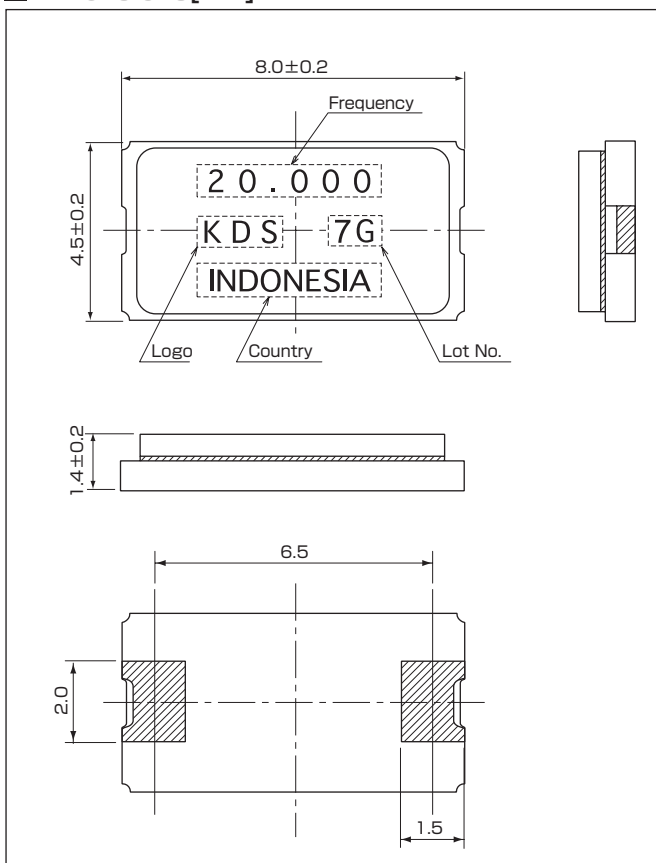


■ Standard Specification

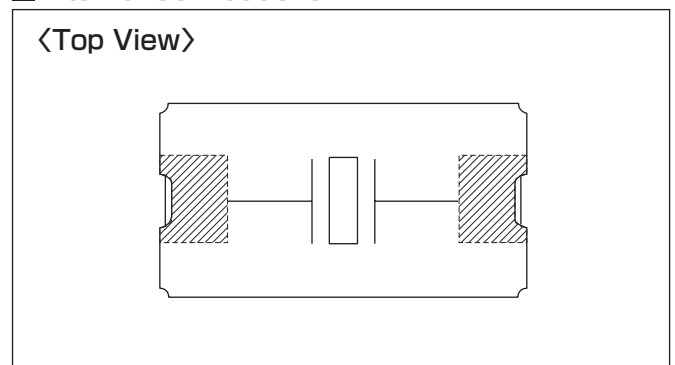
Item	Type	DSX840GA			
		8~10MHz	10~12MHz	12~50MHz	40~80MHz
Frequency Range		8~10MHz	10~12MHz	12~50MHz	40~80MHz
Overtone Order		Fundamental			3rd overtone
Load Capacitance		Series, 8pF, 10pF, 12pF			Series
Drive Level		10μW (300μW max.)			10μW (500μW max.)
Frequency Tolerance		±30×10 ⁻⁶ , ±50×10 ⁻⁶ , ±100×10 ⁻⁶ (at 25°C)			
Series Resistance		150Ω max.	80Ω max.	50Ω max.	70Ω max.
Frequency Characteristics over Temperature		±30×10 ⁻⁶ / -10~+60°C (Ref. to 25°C)			
		±50×10 ⁻⁶ / -20~+70°C (Ref. to 25°C)			
		±100×10 ⁻⁶ / -30~+85°C (Ref. to 25°C)			
Storage Temperature Range		-40~+85°C			
Packing Unit		1000pcs./reel (φ250)			
Standard Specification		Refer to page 37			

Consult our sales representative for other specifications.

■ Dimensions[mm]



■ Internal Connections



■ Recommended Land Pattern

[mm]

