

# SMD Tuning Fork Crystal Resonators / kHz Band Crystal Resonators

## DMX-26



Actual size

### ■ Features

- A plastic encapsulated SMD version of the DT-26 tuning fork crystal resonator.
- Correspond to automatic mounting and reflow soldering.
- Suitable for digital AV equipment, PC, gaming equipment as well as many other applications.
- Also suitable for automotive applications (AEC-Q200 Compliant)

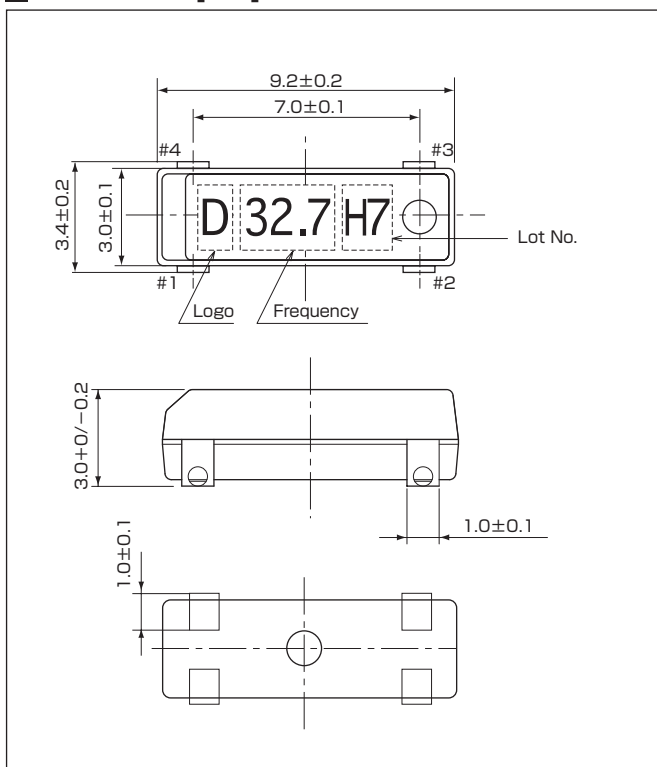
### ■ Standard Specification

Item	Type	DMX-26
Frequency Range		32.768kHz (30~100kHz)
Load Capacitance		12.5pF
Drive Level		1.0μW (2.0μW max.)
Frequency Tolerance		$\pm 30 \times 10^{-6}$ (at 25°C)
Series Resistance		50kΩ max.
Turnover Temperature		+25±5°C
Two Dimensional Temperature Constant		$-0.04 \times 10^{-6} / ^\circ\text{C}^2$ max.
Operating Temperature Range		-40~+85°C
Storage Temperature Range		-40~+85°C
Shunt Capacitance		1.40pF Typ.
Packing Unit		2500pcs./reel (φ330)

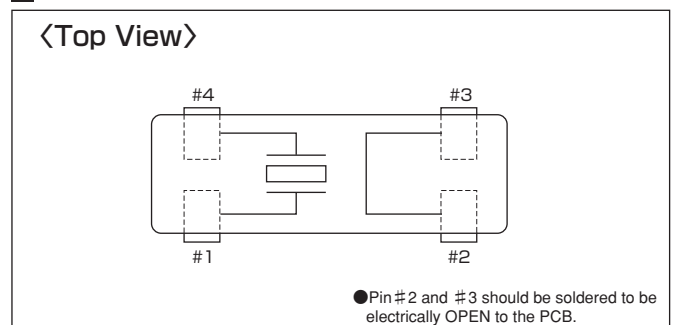
(※) The design is based on the DT-26 and DT-261.

Consult our sales representative for other specifications.

### ■ Dimensions[mm]



### ■ Internal Connections



### ■ Recommended Land Pattern

[mm]

