

SMD Tuning Fork Crystal Resonators / kHz Band Crystal Resonators

DMX-26



Actual size

■ Features

- A plastic encapsulated SMD version of the DT-26 tuning fork crystal resonator.
- Correspond to automatic mounting and reflow soldering.
- Suitable for digital AV equipment, PC, gaming equipment as well as many other applications.
- Also suitable for automotive applications (AEC-Q200 Compliant)

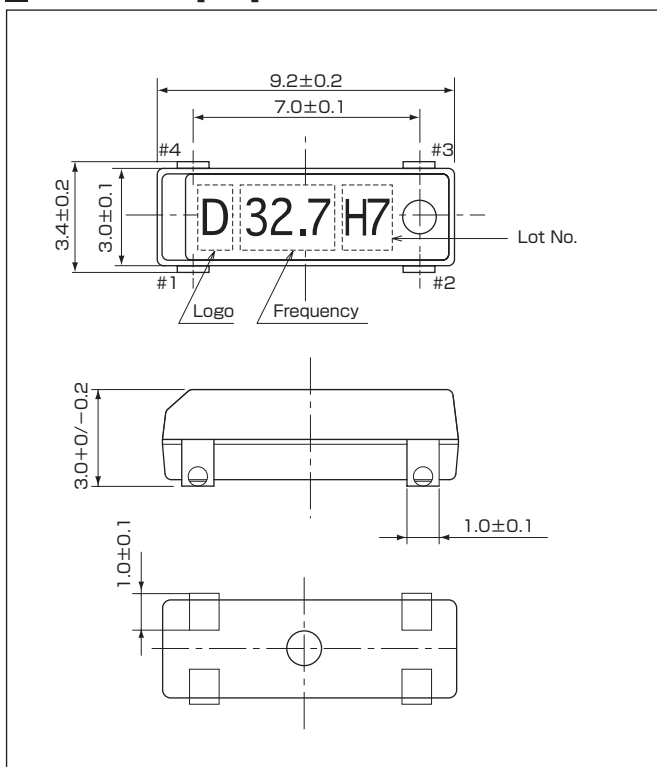
■ Standard Specification

| Item | Type | DMX-26 |
|--------------------------------------|------|--|
| Frequency Range | | 32.768kHz (30~100kHz) |
| Load Capacitance | | 12.5pF |
| Drive Level | | 1.0μW (2.0μW max.) |
| Frequency Tolerance | | ±30×10 ⁻⁶ (at 25°C) |
| Series Resistance | | 50kΩ max. |
| Turnover Temperature | | +25±5°C |
| Two Dimensional Temperature Constant | | -0.04×10 ⁻⁶ /°C ² max. |
| Operating Temperature Range | | -40~+85°C |
| Storage Temperature Range | | -40~+85°C |
| Shunt Capacitance | | 1.40pF Typ. |
| Packing Unit | | 2500pcs./reel (φ330) |

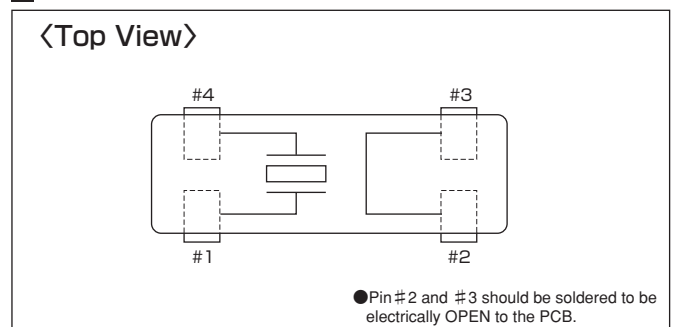
(※) The design is based on the DT-26 and DT-261.

Consult our sales representative for other specifications.

■ Dimensions[mm]



■ Internal Connections



■ Recommended Land Pattern

[mm]

