

Type: ASK/OOK Super-Heterodyne Receiver Module

Model: CY42-XXX

1. DESCRIPTION:

The CY42 is ASK/OOK Super Heterodyne receiver module, which can be used to receive un-decoded data from the range of CY's Transmitter modules.

The module is very simple to operate and offer a low current consumption.

Data can be transmitted directly into a microprocessor or decoding device.

All receivers are compatible, producing CMOS/TTL Output, and only require connections to Power & Antenna.



RFICY.COM

2. FEATURES:

- Frequency: 315MHz/433.92MHz(custom frequency is available)
- ASK/OOK Demodulation
- Stable Operating Frequency
- Low Current Consumption
- Wide Operating Voltage:2.4~5.5VDC
- High Sensitivity : - 110dBm

3. APPLICATION:

- Wireless Security Systems
- Garage Door Controller
- Remote Gate Controls
- Data Communications
- Sensor Reporting

4. PIN DEFINITION:

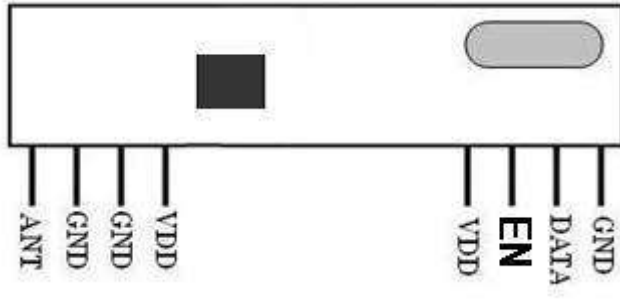


Figure1 CY42 Shape & Pins

Pin Name	Pin Definition
ANT	RF signal input pin
GND	Connect to negative power supply
GND	Connect to negative power supply
VDD	Connect to positive power supply
VDD	Connect to positive power supply
EN	Optional output: 1.DATA output(default setting) 2.Battery saving mode(shut down): (Working mode in High level input) (Sleeping mode in Low level input)
DATA	Data output pin
GND	Connect to negative power supply

Note1: ANT pin is a 50 ohm antenna input. The length is about:

23cm for 315MHz ,
17cm for 433.92MHz



5. ELECTRICAL CHARACTERISTICS:

Condition: Ta=25°C Vcc=5.0V Frequency=315MHz

Parameter	Specification			Unit	Condition
	Min	Typ	Max		
Frequency Range	314.90	315.00	315.10	MHz	Other freq. available
Receiver Sensitivity		-110		dBm	
Data Rate		2.4	4.8	Kbps	Manchester code
Supply Voltage, VDD	2.4	5.0	5.5	V	DC
Current		2.5		mA	DC
Operating Temperature	-40		+85	°C	

Condition: Ta=25°C Vcc=5.0V Frequency=433.92MHz

Parameter	Specification			Unit	Condition
	Min	Typ	Max		
Frequency Range	433.82	433.92	434.02	MHz	Other freq available
Receiver Sensitivity		-110		dBm	
Data Rate		2.4	4.8	Kbps	Manchester code
Supply Voltage, VDD	2.4	5.0	5.5	V	DC
Current		2.5		mA	DC
Operating Temperature	-40		+85	°C	

6. MECHANICAL SIZE: (UNIT: mm)

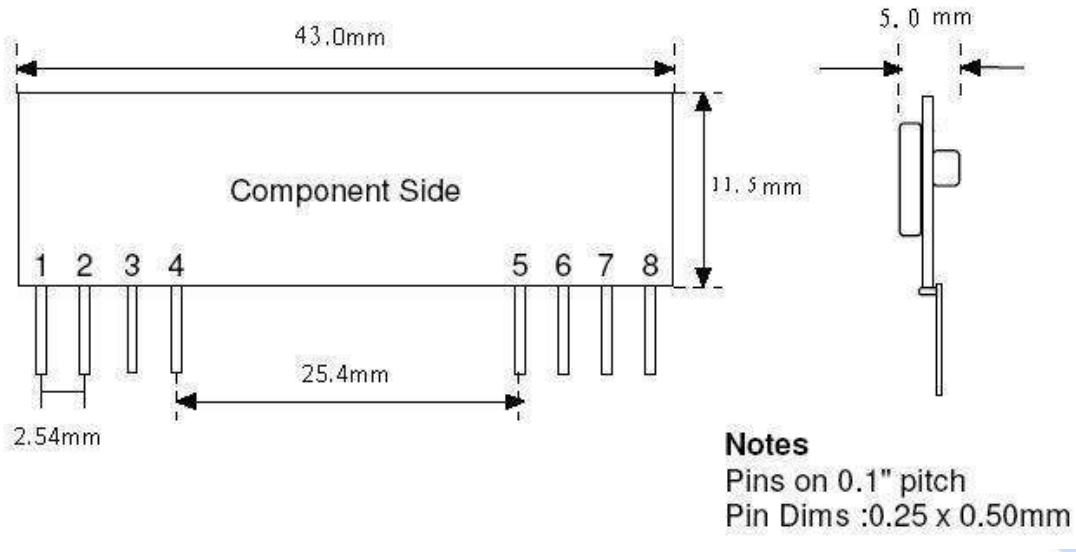
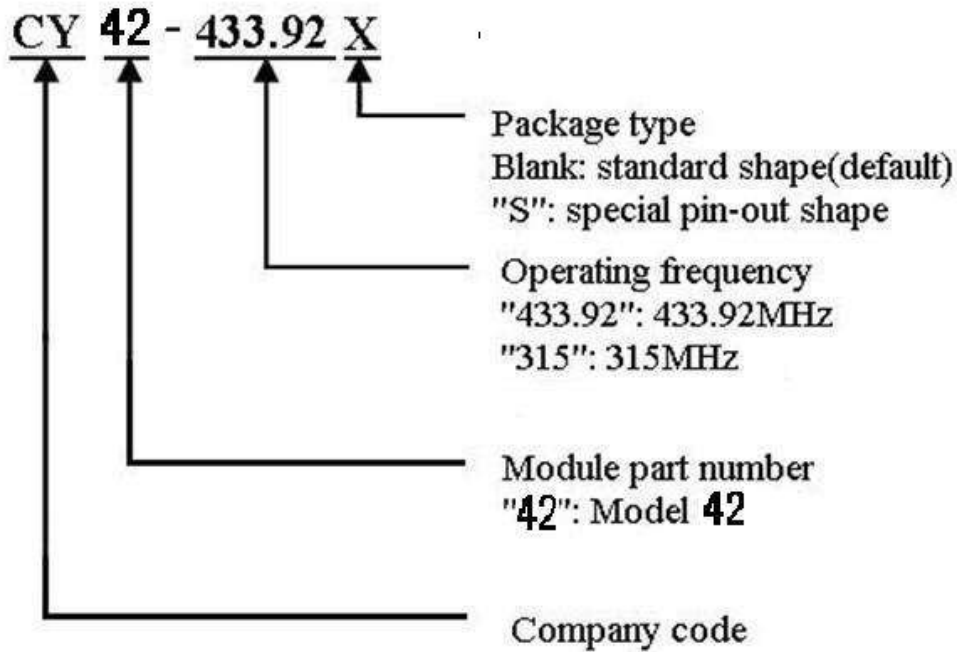


Figure2 CY42 Dimension

7. ORDER INFORMATION:





For more information and assistance, please contact us as follows:

CY WIRELESS TECHNOLOGY LIMITED

Add: 1407, Block C, Tairan Building, 8th Tairan Road, Futian District,

Shenzhen, Guangdong Province, China

Website: www.rficy.com

Email: info@rficy.com

