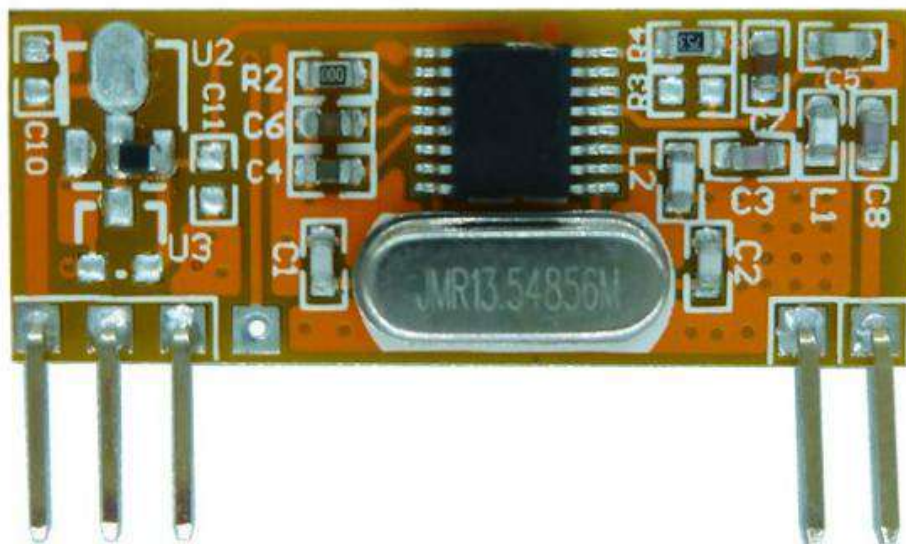


Type: ASK/OOK Super-Heterodyne Receiver Module
Model: CY08-V1.1-868.35

1. DESCRIPTION:

The CY08-V1.1-868.35 is a ASK/OOK compatible super heterodyne wireless receiving module with high performance for ISM frequency band. With the adoption of European brand RF wireless data transferring/receiver chipsets. The model has a high receiving sensitivity and strong ability of resisting. From wireless signal input to data output can be done without any electrical circuit. User only use extra simple data decode circuit can achieve wireless products development.

The CY08-V1.1-868.35 is a comersion level version



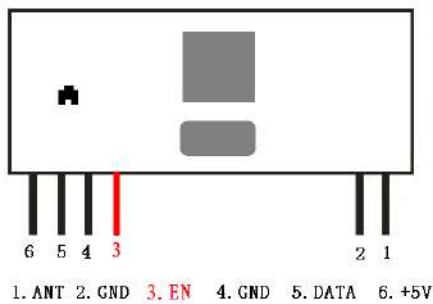
2. FEATURES:

- Frequency: 868.35M(custom frequency is available);
- High sensitivity -107dBm@868.35 1kbps BER10E-2;
- Supply voltage: VCC= 4.5 to 5.5 V;
- IF band: 200KHz;
- Low power consumption:13mA@868.35M.
- Excellent selectivity and noise rejection;

3. APPLICATION:

- Remote gate controls
- Remote keyless entry
- Car alarm systems
- wireless security systems
- Automation systems

4. PIN DEFINITION:



Please note: CY08-V1.1-868.35 is come with standard 5 PINs (without the red colored pin). Please notify us if you would like 6PINs.

Pin Name	Pin Definition
ANT	Antenna In
GND	Connect to negative power supply
EN	Optional output: 1.Empty(Default Setting); 2.Battery saving mode(shut down): (Working mode in low level input) (Sleeping mode in high level input)
GND	Connect to negative power supply
DATA	Data Output
VDD	Positive Supply Power

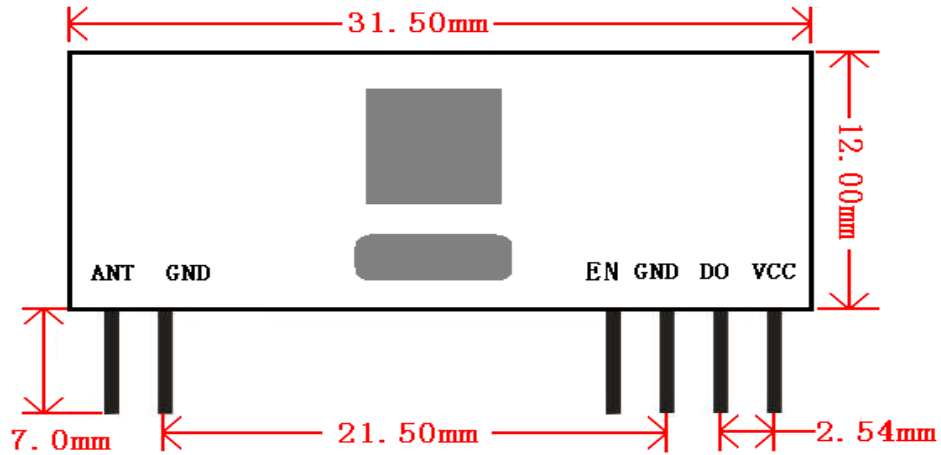
Note1: ANT pin is a 50 ohm antenna input. The length is about:

8.5cm for868.35MHz

5. ELECTRICAL CHARACTERISTICS:

Condition: Ta=25°C Vcc=5.0V Frequency=868.35MHz

Parameter	Specification			Unit	Condition
	Min	Typ	Max		
Frequency Range	868.25	868.35	868.45	MHz	Others available
Receiver Sensitivity		-107		dBm	BER=10E-2
Data Rate	0.58	1.2	4.8	KBaud	Manchester code
Supply Voltage, VDD	4.5	5	5.5	V	DC
Current		13		mA	
Operating Temperature	-20		+70	°C	

6. MECHANICAL SIZE: (UNIT: mm)**Figure2 CY08-V1.1-868.35 Dimension**

For more information and assistance, please contact us as follows:

CY WIRELESS TECHNOLOGY LIMITED

Add: 1407, Block C, Tairan Building, 8th Tairan Road, Futian District,

Shenzhen, Guangdong Province, China

Website: www.rficy.com

Email: info@rficy.com