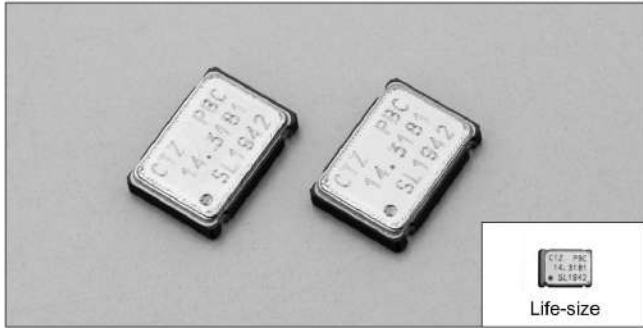


PROGRAMMABLE OSCILLATORS (SMD • Ceramic Package)

RoHS Compliant Standard

CSX750P SERIES

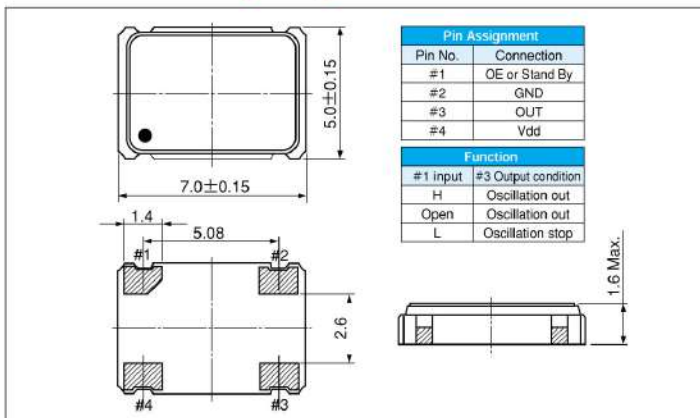
2000pcs/reel



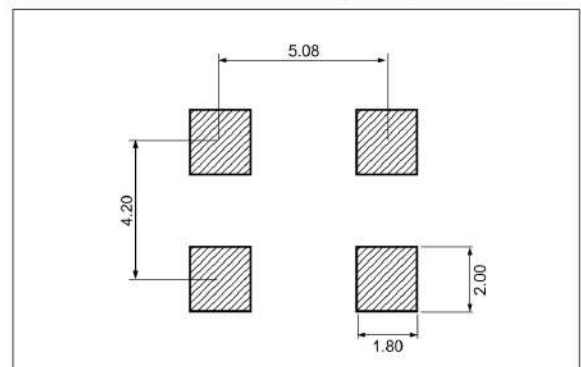
FEATURES

- Wide range of Output frequency by PLL technology.
- Quick sample delivery and short lead time in mass production.
- Automatic mounting and reflowable Type.
- Low current consumption with output enable function (OE) or stand by function (STAND-BY).
- Complete Pb free products.
- Suitable for various applications such as communication devices, AV devices, automotive devices and measuring instruments.

DIMENSION [mm]



SOLDER PAD LAYOUT [mm]



STANDARD SPECIFICATIONS

* Model is determined by the selection for the output enable or stand-by function, the frequency stability and the supply voltage.

| Item | Model | OE | CSX750 PT (*) | CSX750 PC (*) | CSX750 PB (*) |
|-----------------------------|----------------------|----------|---|---------------|---------------------|
| | | STAND-BY | CSX750 PK (*) | CSX750 PD (*) | CSX750 PJ (*) |
| Frequency Range | | | 1.000MHz ~ 125.000MHz | | 1.000MHz~100.000MHz |
| Supply Voltage | | | Vdd : 5.0V±0.5V | | Vdd : 3.3V±0.3V |
| Frequency Stability | | (*) | C : ±100ppm(-20°C~+70°C), B : ±50ppm(-20°C~+70°C), F : ±100ppm(-40°C~+85°C) | | |
| Operating Temperature Range | | | -40°C~+85°C | | |
| Storage Temperature Range | | | -55°C~+125°C | | |
| Current consumption | | | 45mA Max. | | 25mA Max. |
| Duty | TTL level (1.4V) | | 45~55% | — | |
| | CMOS level (1/2 Vdd) | | — | 45~55% | |
| Output Voltage | V _{OH} | | 0.9Vdd Min. | | 0.9Vdd Min. |
| | V _{OL} | | 0.4V Max. | | 0.1Vdd Max. |
| Output Load | TTL | | 5TTL Max. | — | |
| | CMOS | | — | 25pF Max. | 15pF Max. |
| Rise and Fall Time | | tr, tf | 4 nsec Max. | | |
| Start-up time | | | 10 msec Max. | | |
| Input Voltage | V _{IH} | | 2.0V Min. | | 0.7Vdd Min. |
| | V _{IL} | | 0.8V Max. | | 0.2Vdd Max. |
| Disable current | | | 30mA Max. | | 15mA Max. |
| Stand-by current | | | 50 μA Max. | | 20 μA Max. |