

MODEL: CN6830-38LA P4



ELECTRICAL SPECIFICATION:

Item	Unit	Standard
Resonant Frequency	KHz	68 ± 3
Resonant Impedance	Ω	25 ↓
Capacitance	PF	3000 ± 10%
Diameter	MM	38
Total height	MM	29
Insulation Impedance	MΩ	10000 ↑
Rated Power	W	30

Code Meaning of Clangsonic Transducer

"CN"-CLANGSONIC

"68"-Frequency

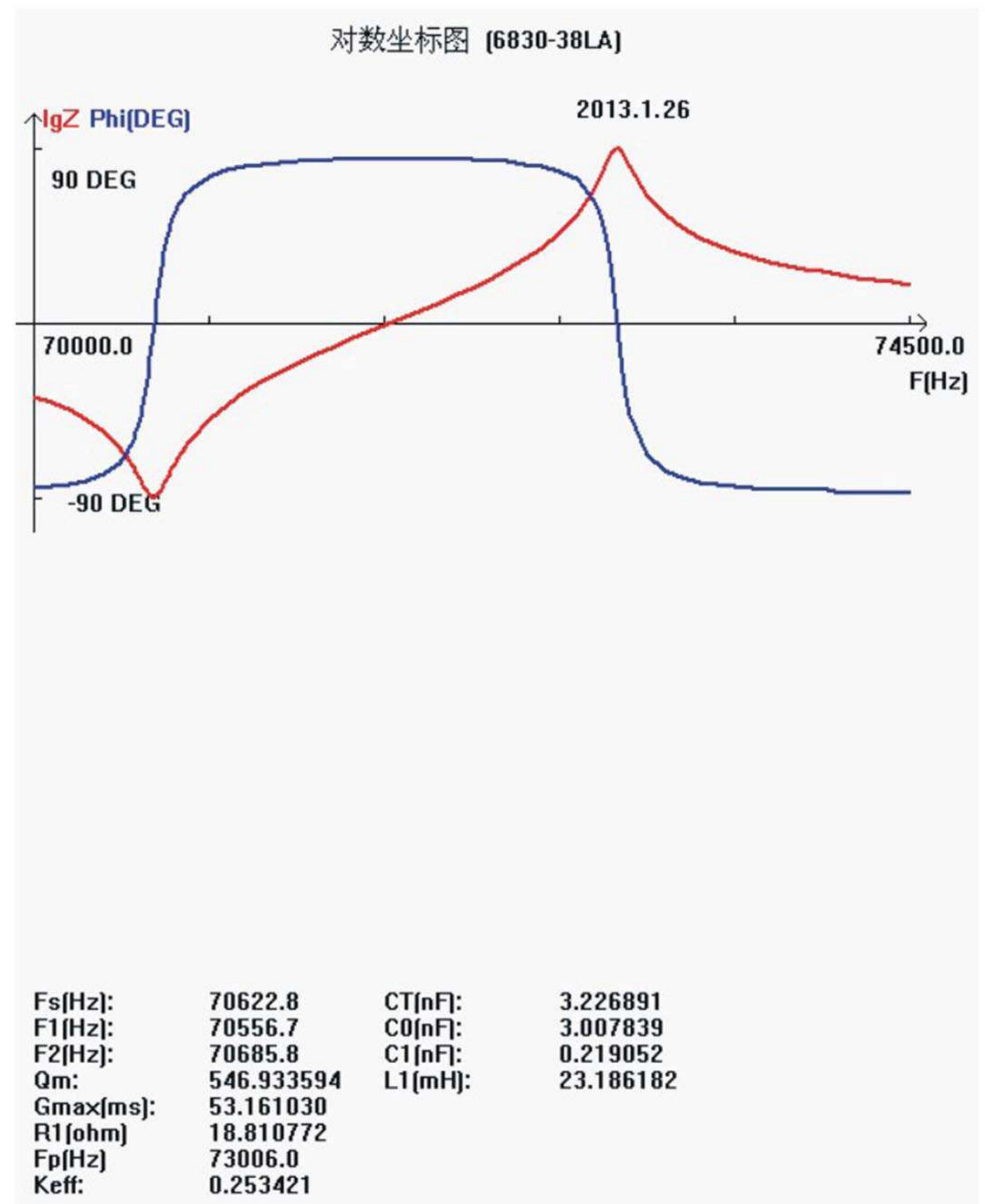
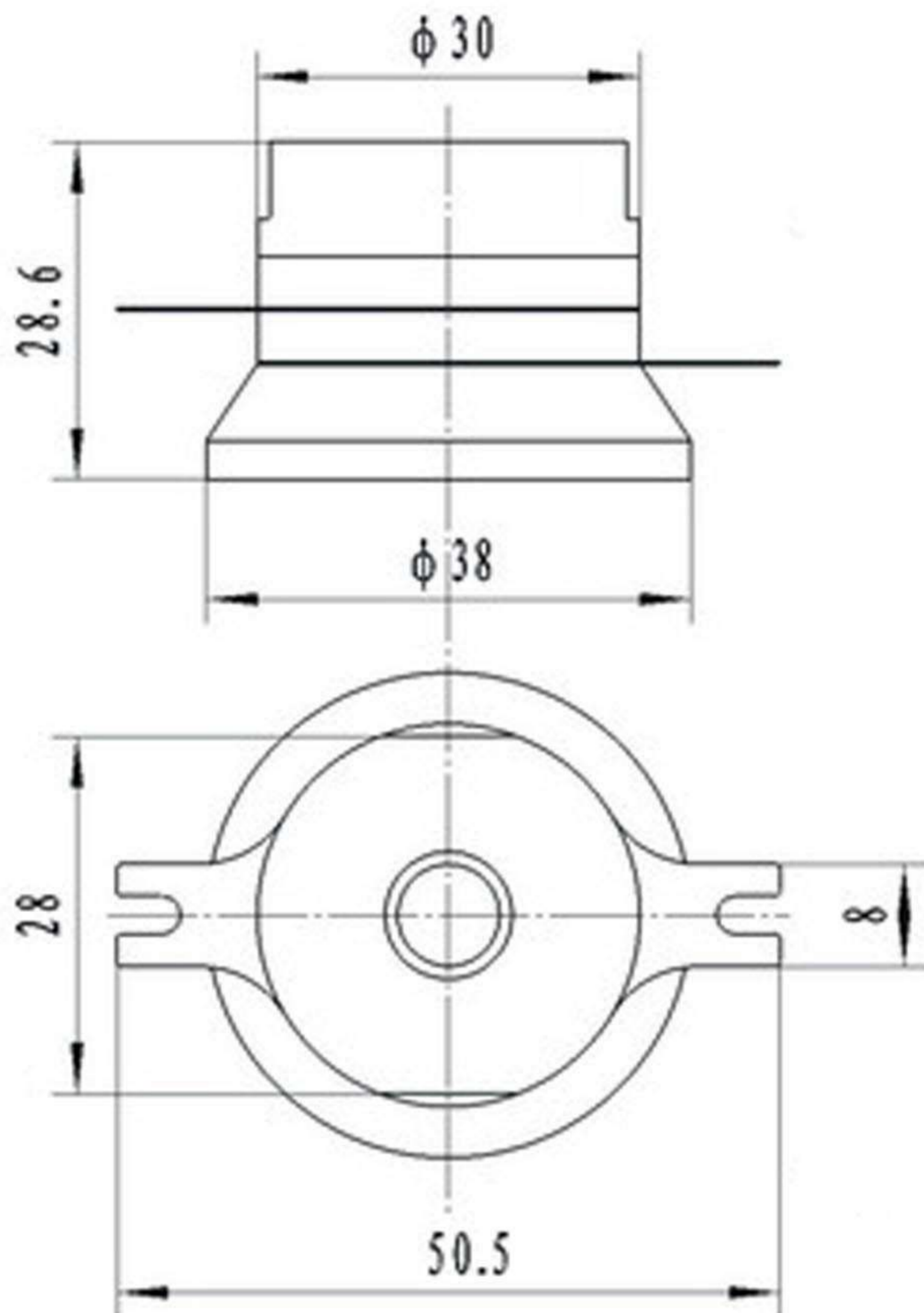
"30"-Diameter of Piezoceramics

"38"-Diameter of Radiating surface

"L"-Trumpet Base

"A"-Without threaded hole in radiating surface

"P4"-Black Piezoelectric Ceramic



Tel:086-576-87276622 Email:info@clangsonic.com

Website:www.clangsonic.com