

MODEL: CN4035-35HB P4



ELECTRICAL SPECIFICATION:

Item	Unit	Standard
Resonant Frequency	KHz	40 ± 0.5
Resonant Impedance	Ω	25 ↓
Capacitance	PF	3800 ± 10%
Diameter	MM	35
Total height	MM	57
Insulation Impedance	MΩ	10000 ↑
Rated Power	W	50

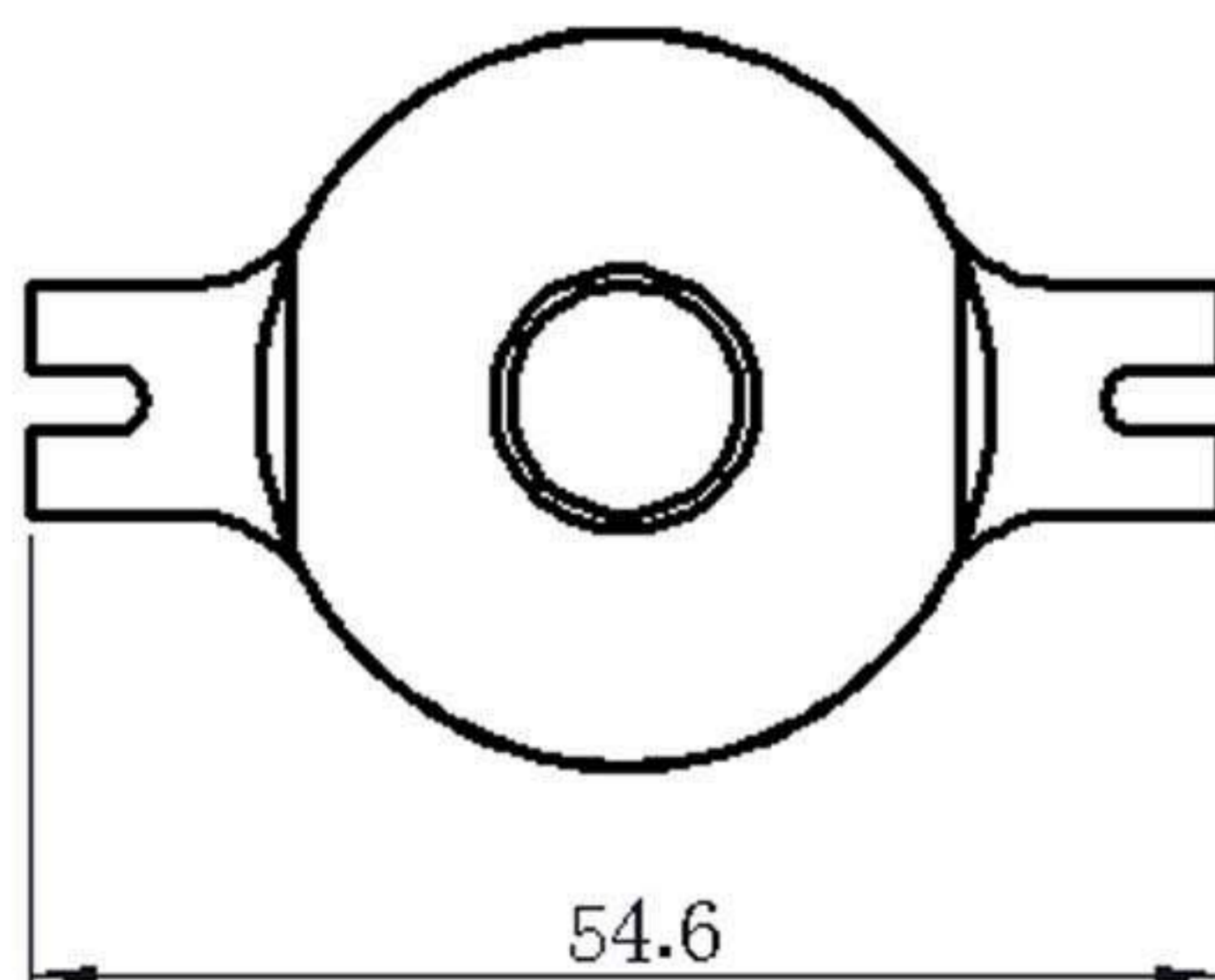
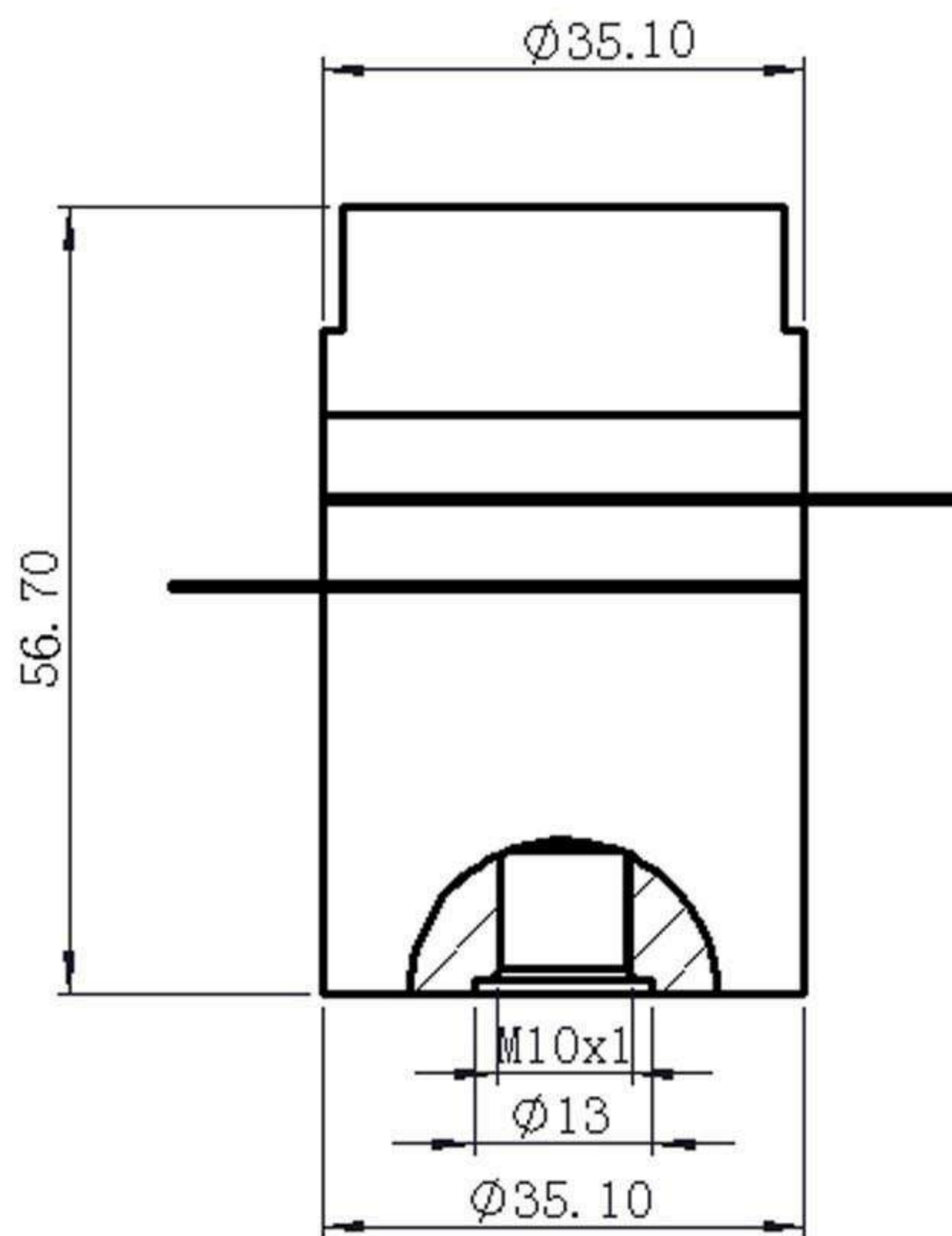
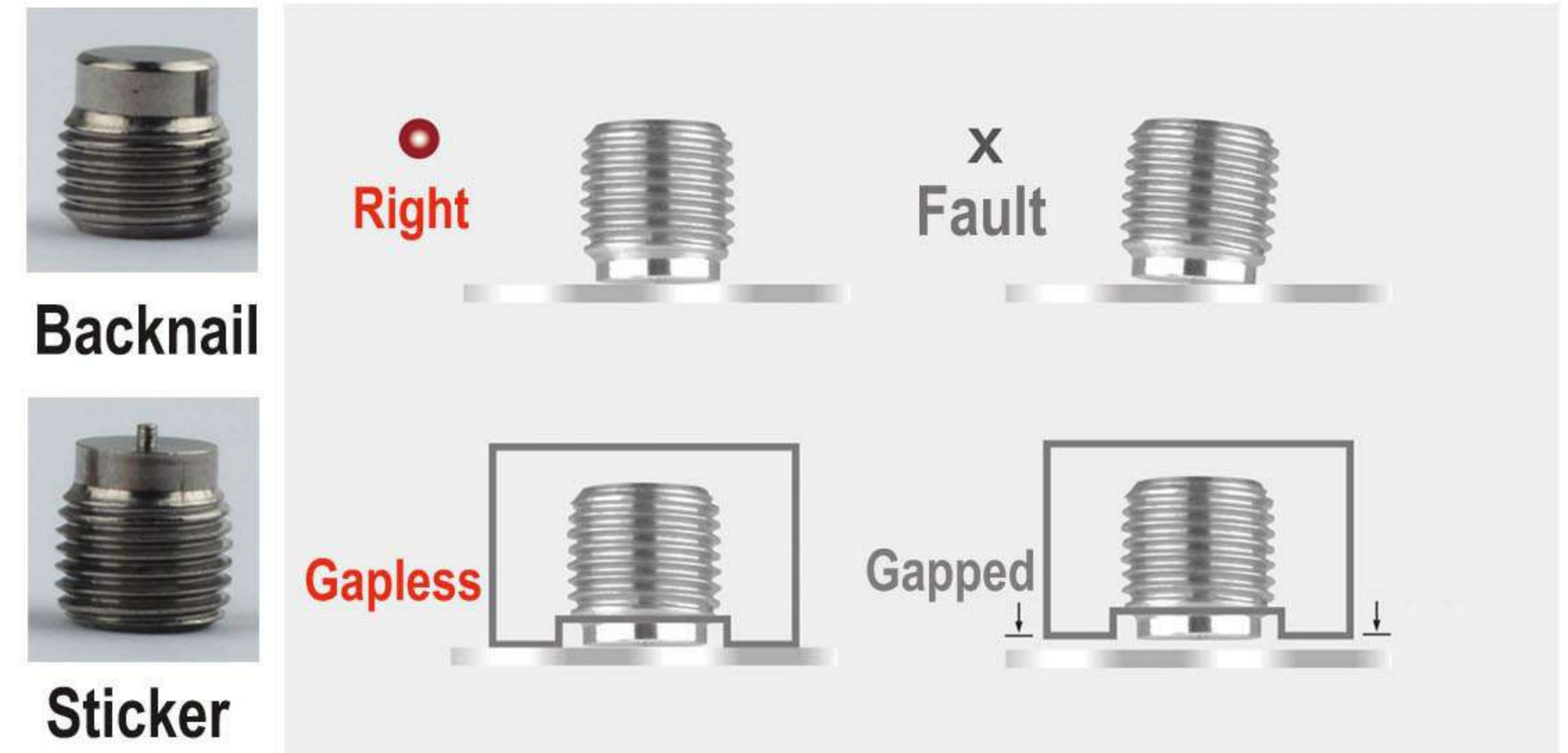
Backnail: welded to substrate by Argon Arc Welding Technology.

Sticker: welded to substrate by Energy Storage Type Studs Gun Welding Technology.

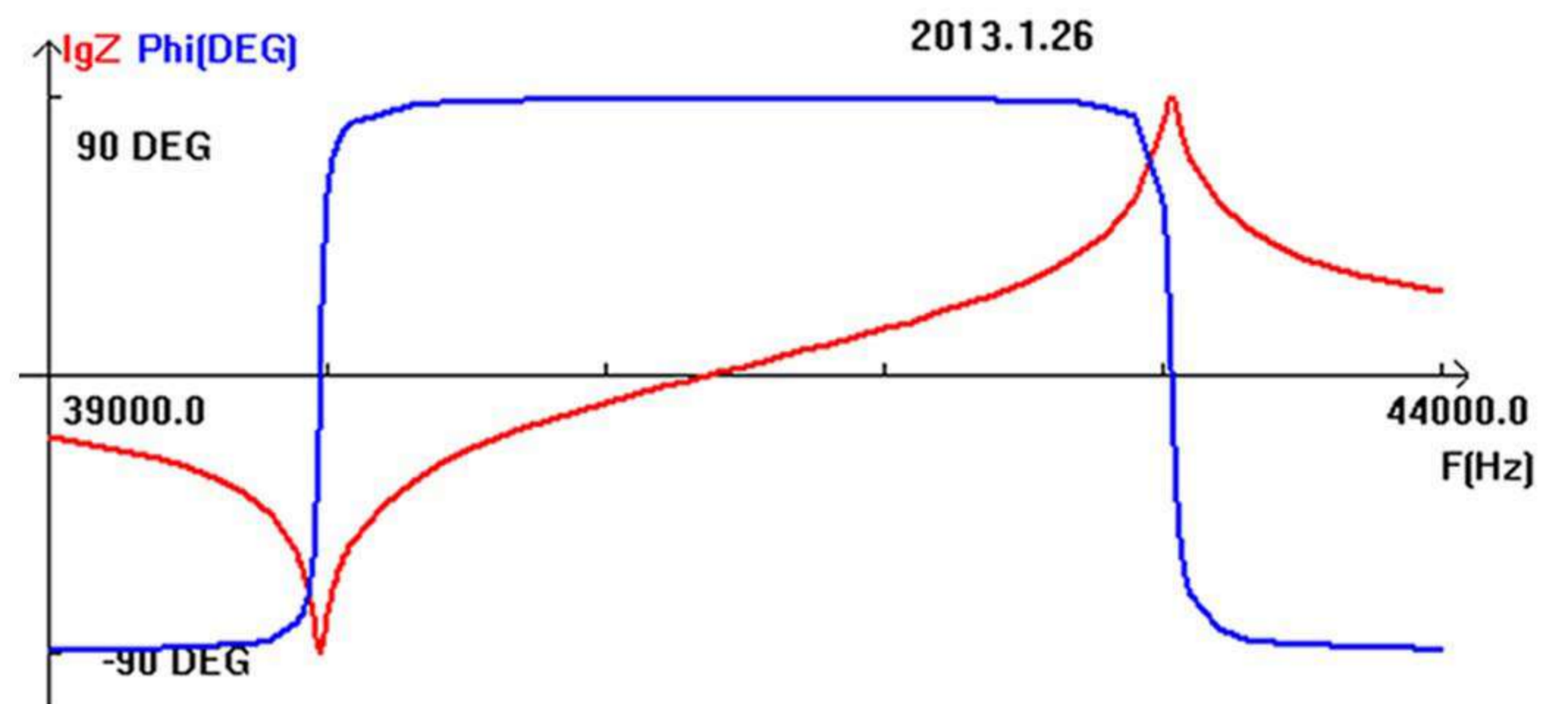
Backnail or Sticker is just for transducers which with threaded hole in radiating surface.

Please tell us what kind of screw you need.

The correct method of installation as follows.



对数坐标图 (4035-35HB)



Fs(Hz):	39980.0	CT(nF):	3.564461
F1(Hz):	39966.2	C0(nF):	3.054663
F2(Hz):	39997.0	C1(nF):	0.509798
Qm:	1300.823608	L1(mH):	31.087254
Gmax(ms):	166.581284		
R1(ohm)	6.003076		
Fp(Hz)	43030.0		
Keff:	0.369780		

Tel:086-576-87276622 Email:info@clangsonic.com

Website:www.clangsonic.com

