

MODEL: CN2538-64LA P4



Code Meaning of Clangsonic Transducer

"CN"-CLANGSONIC

"25"-Frequency

"38"-Diameter of Piezoceramics

"64"-Diameter of Radiating surface

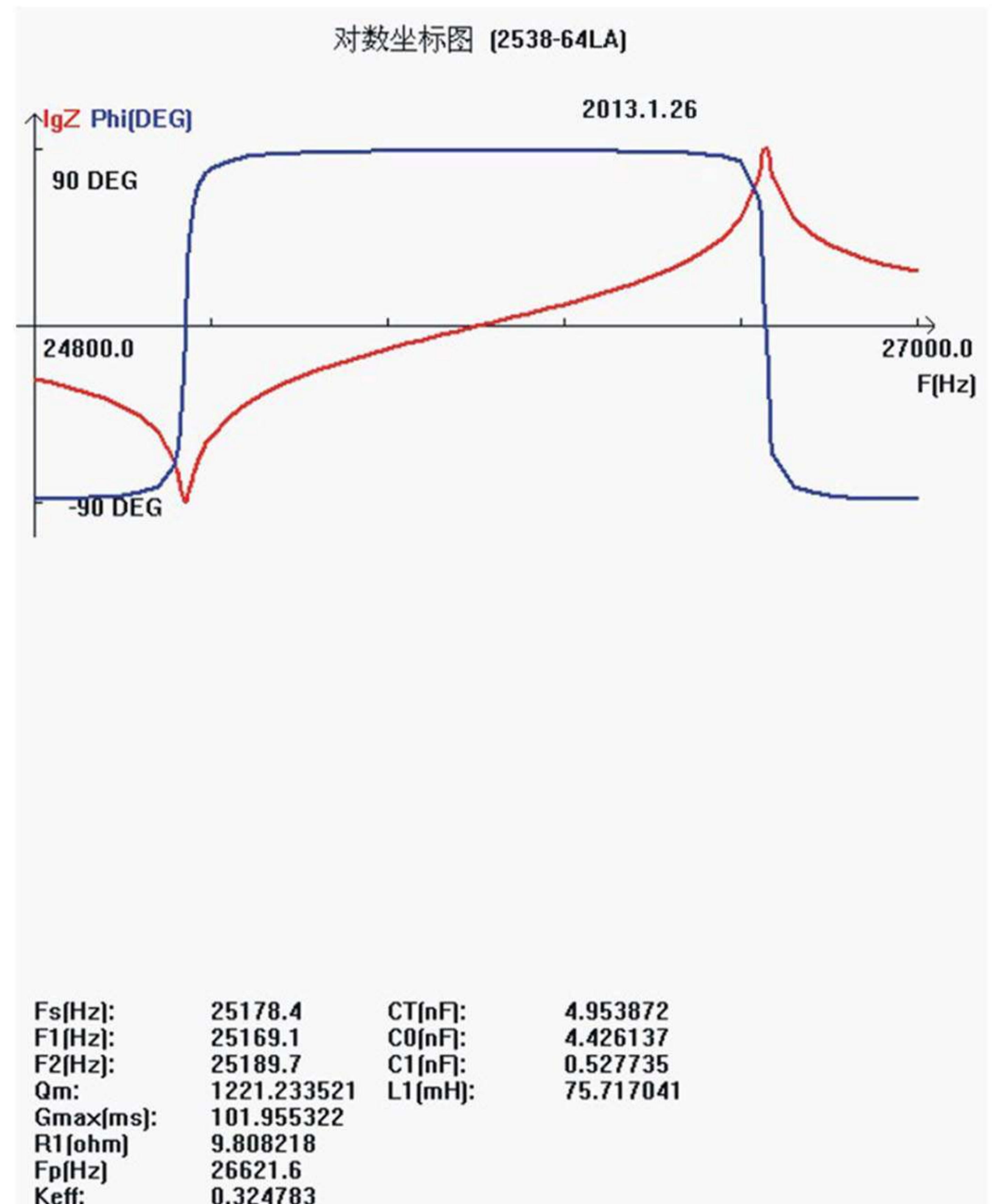
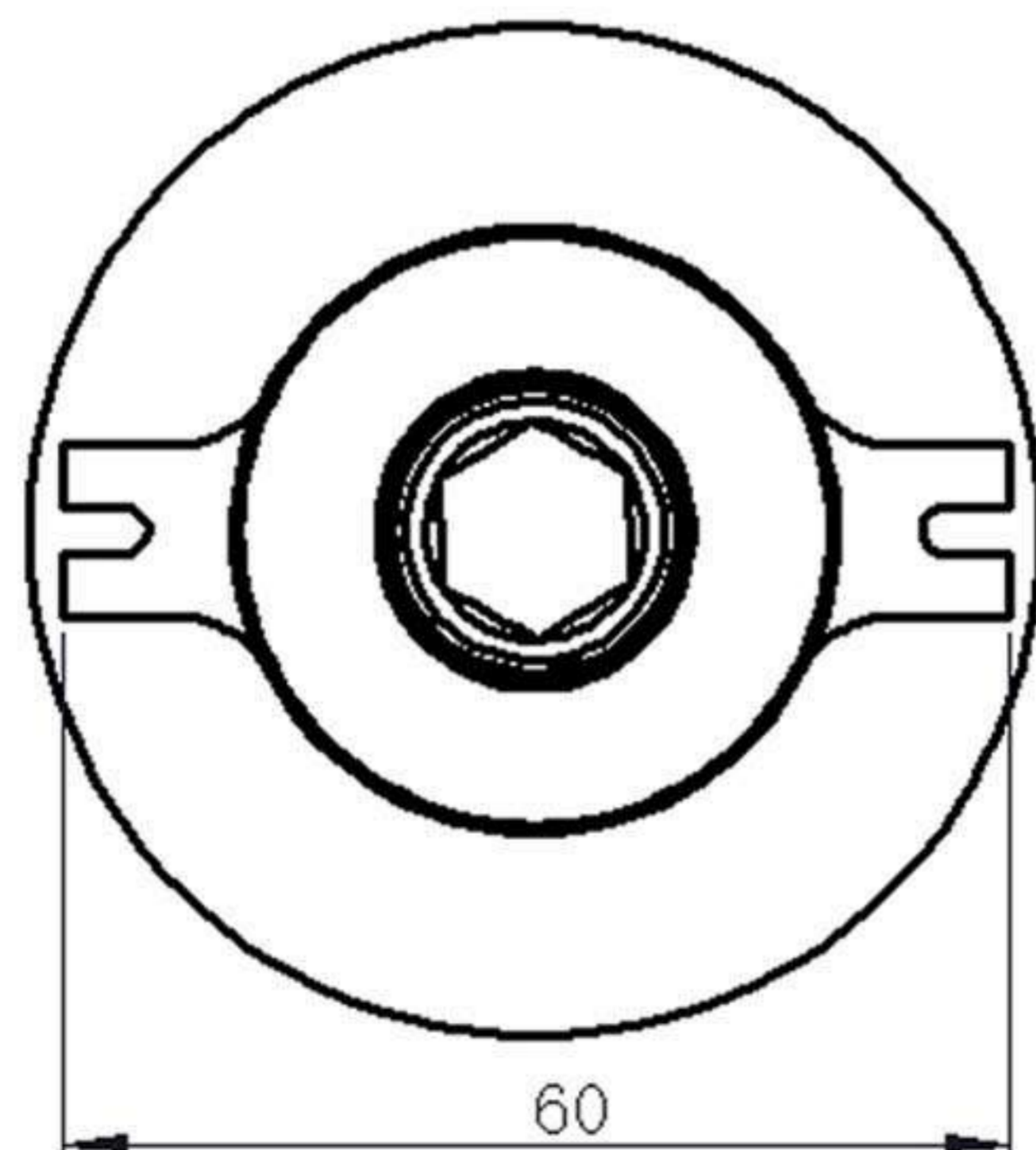
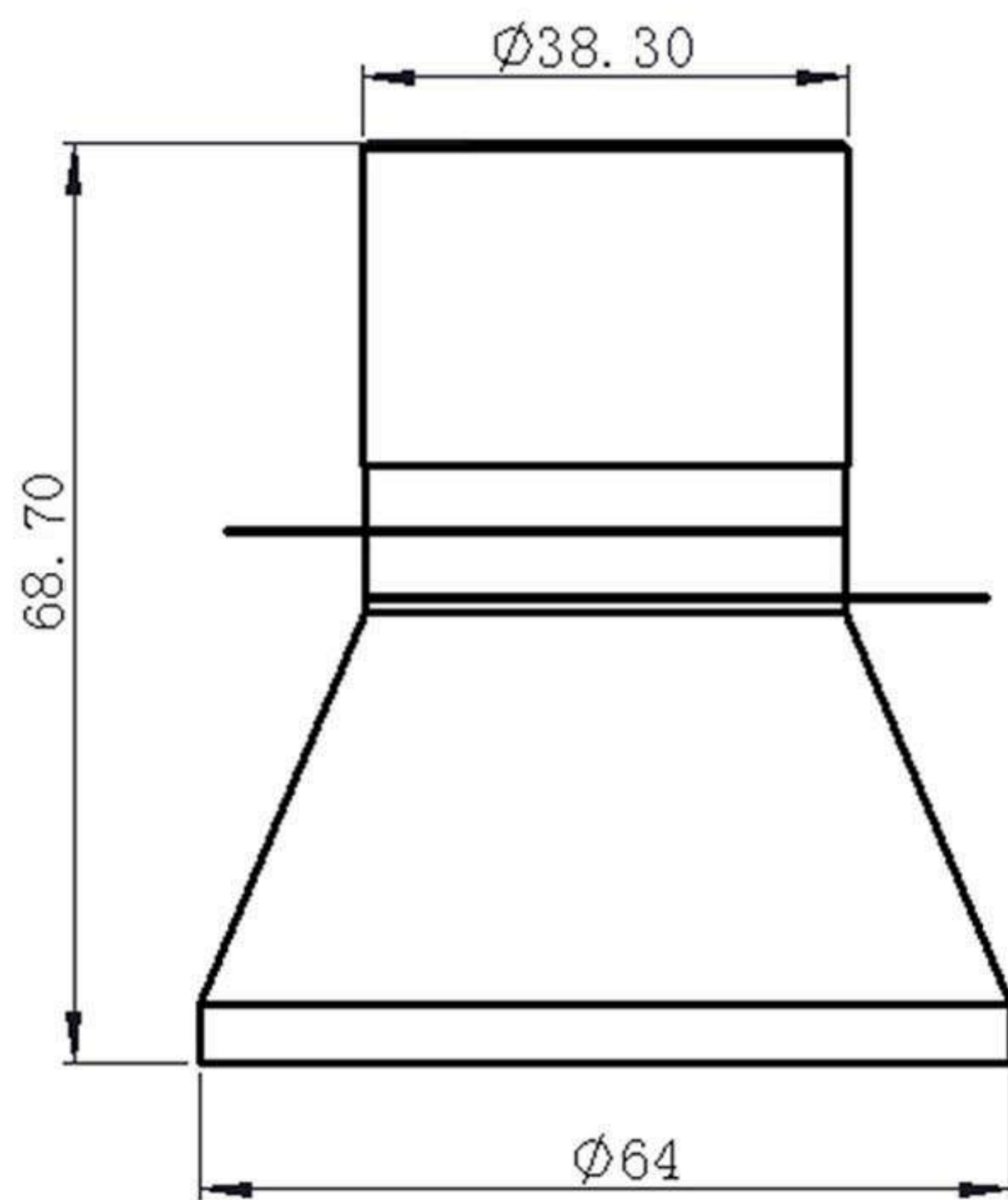
"L"-Trumpet Base

"A"-Without threaded hole in radiating surface

"P4"-Black Piezoelectric Ceramic

ELECTRICAL SPECIFICATION:

Item	Unit	Standard
Resonant Frequency	KHz	25 ± 0.5
Resonant Impedance	Ω	25 ↓
Capacitance	PF	5200 ± 10%
Diameter	MM	64
Total height	MM	73
Insulation Impedance	MΩ	10000 ↑
Rated Power	W	60



Tel:086-576-87276622 Email:info@clangsonic.com

Website:www.clangsonic.com