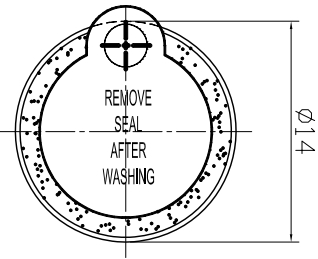
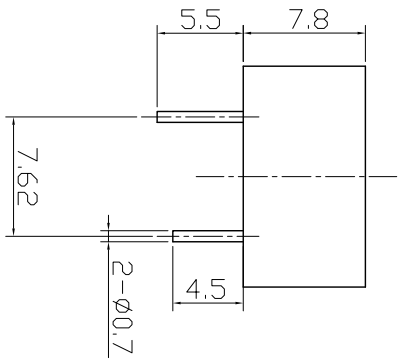


1 2 3 4 5 6 7 8

SPECIFICATION

CBGG1440BP



1. Rated Voltage 12VDC
2. Operating Voltage 1.5~16VDC
3. Max. Rated Current 8mA at 12VDC
4. Resonant Frequency 4.0±0.5KHz
5. Min. Sound Pressure Level..... 85dB at 12VDC/10cm
6. Tone Nature Continuous
7. Case Material PBT
8. Operating Temperature -20~+70°C
9. Store Temperature -30~+80°C
10. Weight 2g

No.	DESCRIPTION	APPROVED	DATE

Compliance with ROHS			
KEPO NINGBO KERO ELECTRONIC CO.,LTD http://www.chinacoustic.com			
Piezo Buzzer QUARTZ-1 LTD CBGG1440BP-1083			
UNIT	SCALE	DWG. NO.	SHEET
mm	SCALE	OEM1083R	VER 1.0

1 2 3 4 5 6 7 8

A B C D E F