

# SPECIFICATION

## 1. SCOPE

This specification is applied to the piezo-element.

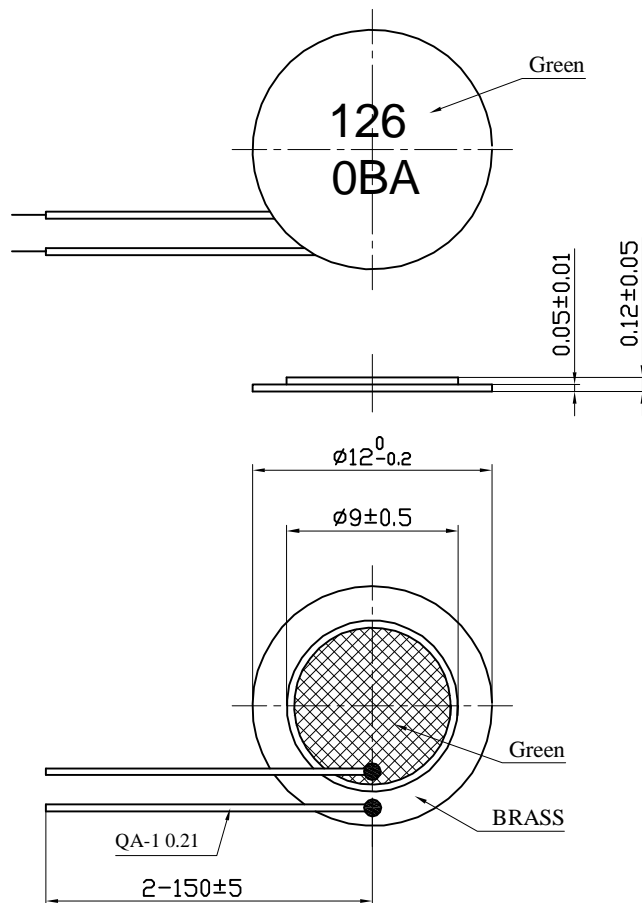
## 2. SPECIFICATION

(at 25°C)

- 2.1 Resonant Frequency : 6.0 ± 0.5 KHz
- 2.2 Resonant Resistace : 500 Ω max
- 2.3 Capacitance : 12000 pF ± 30% at 100Hz
- 2.4 Input Voltage : 30 Vp-p max
- 2.5 Operating Temperature : -20~+50°C
- 2.6 Storage Temperature : -20~+60°C

## 3. DIMENSION

as per figure



<p>TOLERANCES UNLESS NOTED OTHERWISE</p> <p>.X ±</p> <p>.XX ±</p> <p>.XXX ±</p> <p>90° FORMED +2°</p> <p>ANGLES -1°</p> <p>FIRST ANGLE PROJECTION</p>	DRAWN		KEPO MODEL NO.	CUSTOMER			
	DESIGN		<b>CBC1260BA-L150-G</b>	<b>QUARTZ-1</b>			
	CHECKED			CUSTOMER NO.			
	APPROVED		DWG NO.				
	DATE	06.03.10	OEM2070	VER	1.0	SCALE	
	CONTRACT NO.			UNIT	mm	SHEET	
AGENCY APPROVAL			<b>KEPO CO.,LTD.</b>		TEL:(+86)574-88370330 FAX:(+86)574-88370329		