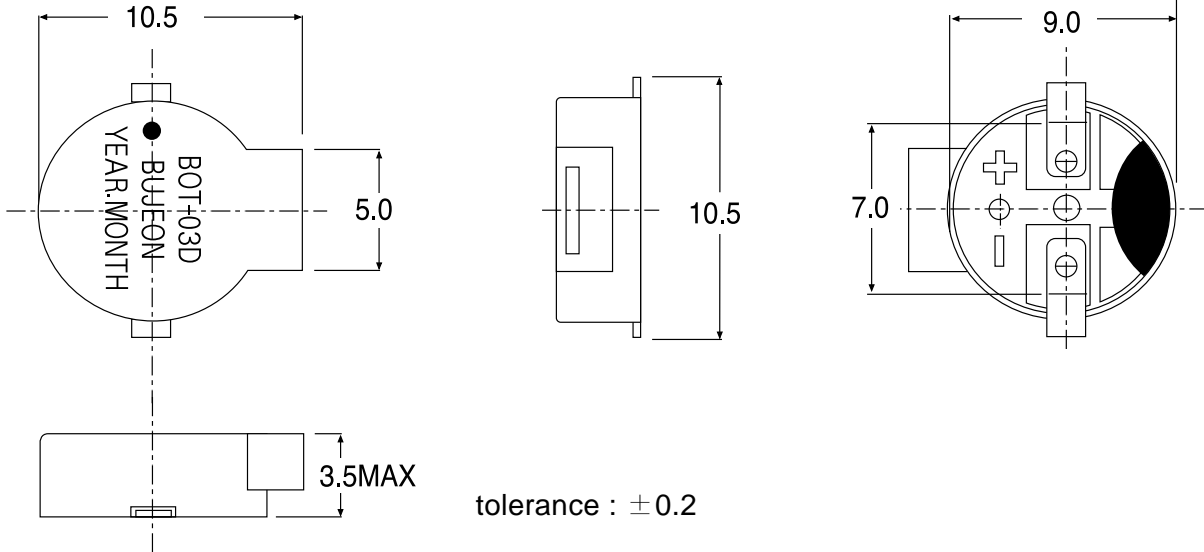




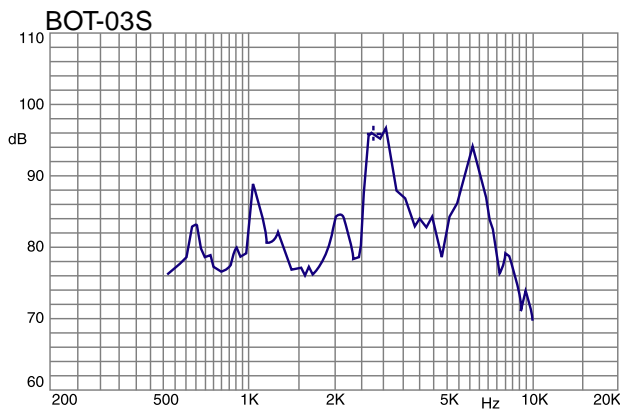
FEATURES

- ' High sound pressure level
- ' Low profile
- ' Side opening for sound emission

DRAWING (unit : mm)



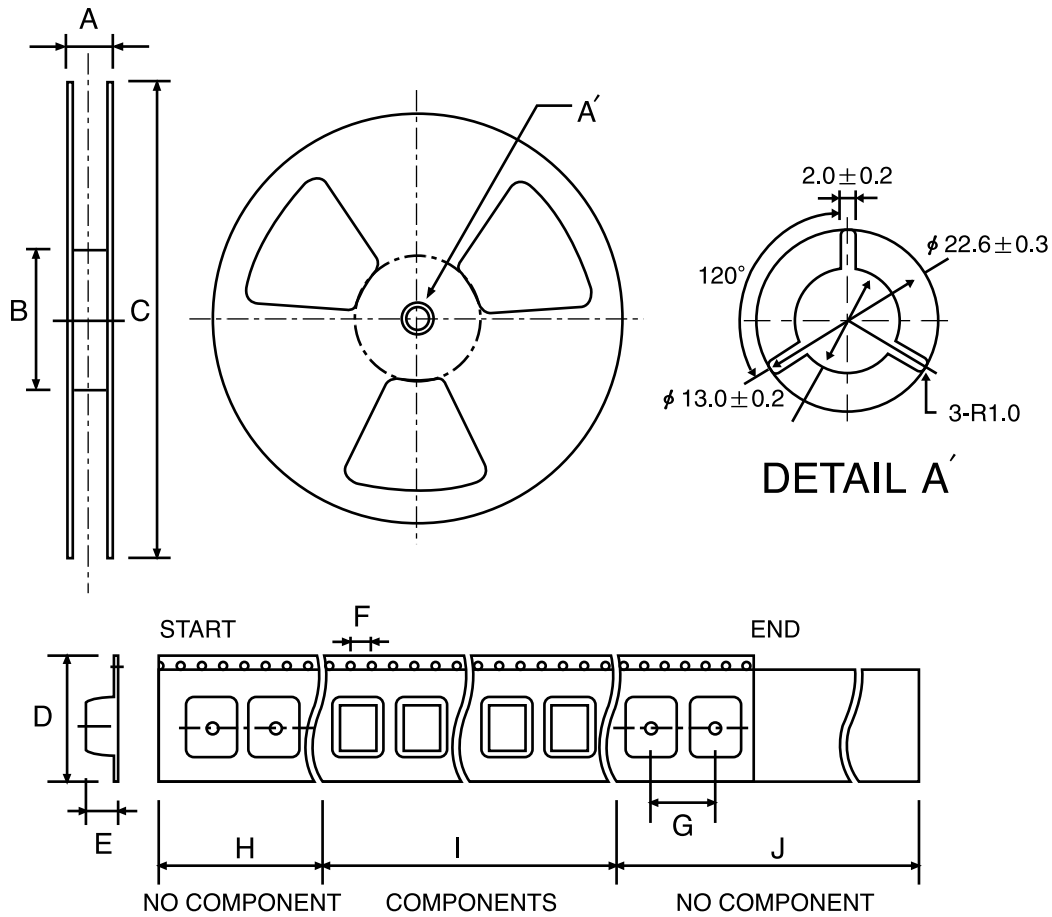
FREQUENCY RESPONSE



SPECIFICATIONS

Part No.	BOT - 03S	BOT - 03D
Rating Voltage [V]	3	3
Operating Voltage [V]	2 ~ 4	2 ~ 4
Rating Current [mA]	100 MAX	100 MAX
Sound pressure Level [dB]	90 MIN	94 MIN
D.C.Resistance [Ω]	16 ± 3	16 ± 3
Oscillating Frequency [Hz]	2,700	3,200
Operating Temperature [°C]	(-20 ~ +70)	
Storage Temperature [°C]	(-30 ~ +80)	
Weight [g]	0.7	

Applied rated voltage (Square wave 1/2Duty)
Distance at 10cm



Part No.	DIMENSION (mm)										Q'ty/reel
	A	B	C	D	E	F	G	H	I	J	
BKT	16.4	60	330	16	3.5	4.0	12.0	200	19200	400	1600
BUT	24.4	100	330	24	3.5	4.0	12.0	200	14400	400	1200
BCT	24.4	100	330	24	3.4	4.0	16.0	200	19200	400	1200
BAT	24.4	100	330	24	3.2	4.0	16.0	200	16000	400	1000
BFT	24.4	100	330	24	4.2	4.0	12.0	200	12000	400	1000
BPT	25	100	330	24	4.5	4.0	16.0	200	12000	400	750
BRT	25	100	330	24	4.35	4.0	16.0	200	14400	400	900
BOT	24.4	100	330	24	4.35	4.0	16.0	200	14400	400	900
BYT	24.4	100	330	24	6.5	4.0	16.0	200	8000	400	500