



RF360 Europe GmbH

A Qualcomm – TDK Joint Venture

SAW Components

SAW Extractor

BeiDou/GPS/Glonass

Series/type:	B8666
Ordering code:	B39162B8666L210
Date:	September 8, 2016
Version:	2.9

RF360 products mentioned within this document are offered by RF360 Europe GmbH and other subsidiaries of RF360 Holdings Singapore Pte. Ltd. (collectively, the “RF360 Subsidiaries”). RF360 Holdings Singapore Pte. Ltd. is a joint venture of Qualcomm Global Trading Pte. Ltd. and EPCOS AG. References in this documentation to EPCOS AG should properly reference, and shall be read to reference, the RF360 Subsidiaries.

RF360 Europe GmbH, Anzinger Str. 13, München, Germany

© 2016 RF360 Europe GmbH and/or its affiliated companies. All rights reserved.

These materials, including the information contained herein, may be used only for informational purposes by the customer. The RF360 Subsidiaries assume no responsibility for errors or omissions in these materials or the information contained herein. The RF360 Subsidiaries reserve the right to make changes to the product(s) or information contained herein without notice. The materials and information are provided on an AS IS basis, and the RF360 Subsidiaries assume no liability and make no warranty or representation, either expressed or implied, with respect to the materials, or any output or results based on the use, application, or evaluation of such materials, including, without limitation, with respect to the non-infringement of trademarks, patents, copyrights or any other intellectual property rights or other rights of third parties.

No use of this documentation or any information contained herein grants any license, whether express, implied, by estoppel or otherwise, to any intellectual property rights, including, without limitation, to any patents owned by QUALCOMM Incorporated or any of its subsidiaries.

Not to be used, copied, reproduced, or modified in whole or in part, nor its contents revealed in any manner to others without the express written permission of RF360 Europe GmbH.

Qualcomm and Qualcomm RF360 are trademarks of Qualcomm Incorporated, registered in the United States and other countries. RF360 is a trademark of Qualcomm Incorporated. Other product and brand names may be trademarks or registered trademarks of their respective owners.

This technical data may be subject to U.S. and international export, re-export, or transfer ("export") laws. Diversion contrary to U.S. and international law is strictly prohibited.



SAW Components

SAW Extractor BeiDou/GPS/Glonass

Series/type:	B8666
Ordering code:	B39162B8666L210
Date:	September 8, 2016
Version:	2.9

Data sheet

Table of contents

1 Application	3
2 Features	3
3 Package	4
4 Pin configuration	4
5 Matching circuit	5
6 Characteristics ANT – BeiDou/GPS/Glonass	6
7 Characteristics ANT – CELL	7
8 Characteristics BeiDou/GPS/Glonass – CELL	8
9 Maximum ratings	9
10 ANT – BeiDou/GPS/Glonass	10
11 Smith charts/VSWR BeiDou/GPS/Glonass	11
12 ANT – CELL	12
13 Smith charts/VSWR CELL	13
14 Isolations	14
15 Packing material	15
16 Marking	18
17 Soldering profile	20
18 Annotations	21
19 Cautions and warnings	21
Contact and Important notes	22

Data sheet

1 Application

- Premium-performance BeiDou/GPS/Glonass Extractor with single ended 50 Ω ports.
- Ultra-low-loss acoustic structure.
- Advanced fully-integrated multiplexer structure (no external matching needed).
- Using common antenna for BeiDou/GPS/Glonass and Cellular bands.
- Placed between antenna and cellular front-end switches and filters.
- Usable GNSS pass bands: 1559.05 – 1563.144 MHz, 1574.42 – 1576.42 MHz, 1597.55 – 1605.89 MHz.
- Usable CELL pass bands: 699 – 960 MHz, 1710 – 2690 MHz, 3400 – 3600 MHz
- No switches and control lines required.

2 Features

- Package size 1.7 mm × 1.3 mm.
- Package height 0.5 mm.
- Approximate weight 0.00225 g.
- RoHS compatible.
- Package for Surface Mount Technology (SMT).
- Ni, gold-plated terminals.
- Electrostatic Sensitive Device (ESD).
- Moisture Sensitivity Level 3 (MSL3).

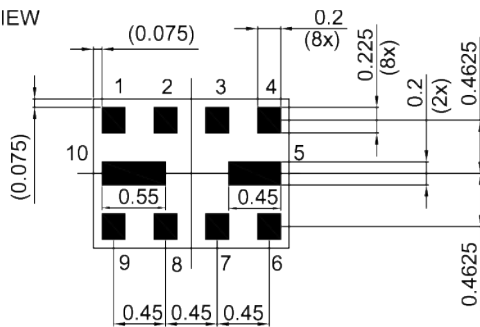


Figure 1: Picture of component with example of marking.

Data sheet

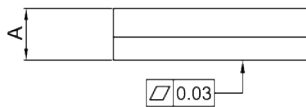
3 Package

BOTTOM VIEW

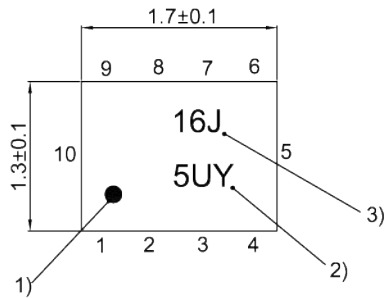


Pad and pitch tolerance ±0.05

SIDE VIEW

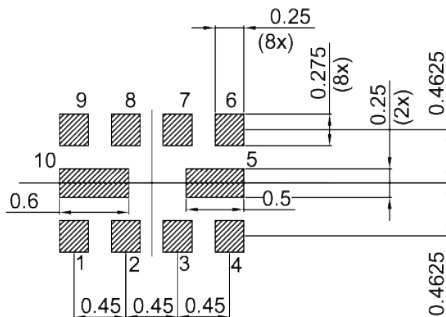


TOP VIEW



- 1) Marking for pad number 1
- 2) Example of encoded lot number
- 3) Example of encoded filter type number

Land pattern THRU VIEW



Landing pad tolerance -0.02

Figure 2: Drawing of package with package height A = 0.5±0.1 mm. See Simplified drawings (p. 21).

4 Pin configuration

- 1 ANT
- 4 BeiDou/GPS/Glonass
- 9 CELL
- 2, 3, 5, 6, 7, 8, 10 Ground

Data sheet

5 Matching circuit

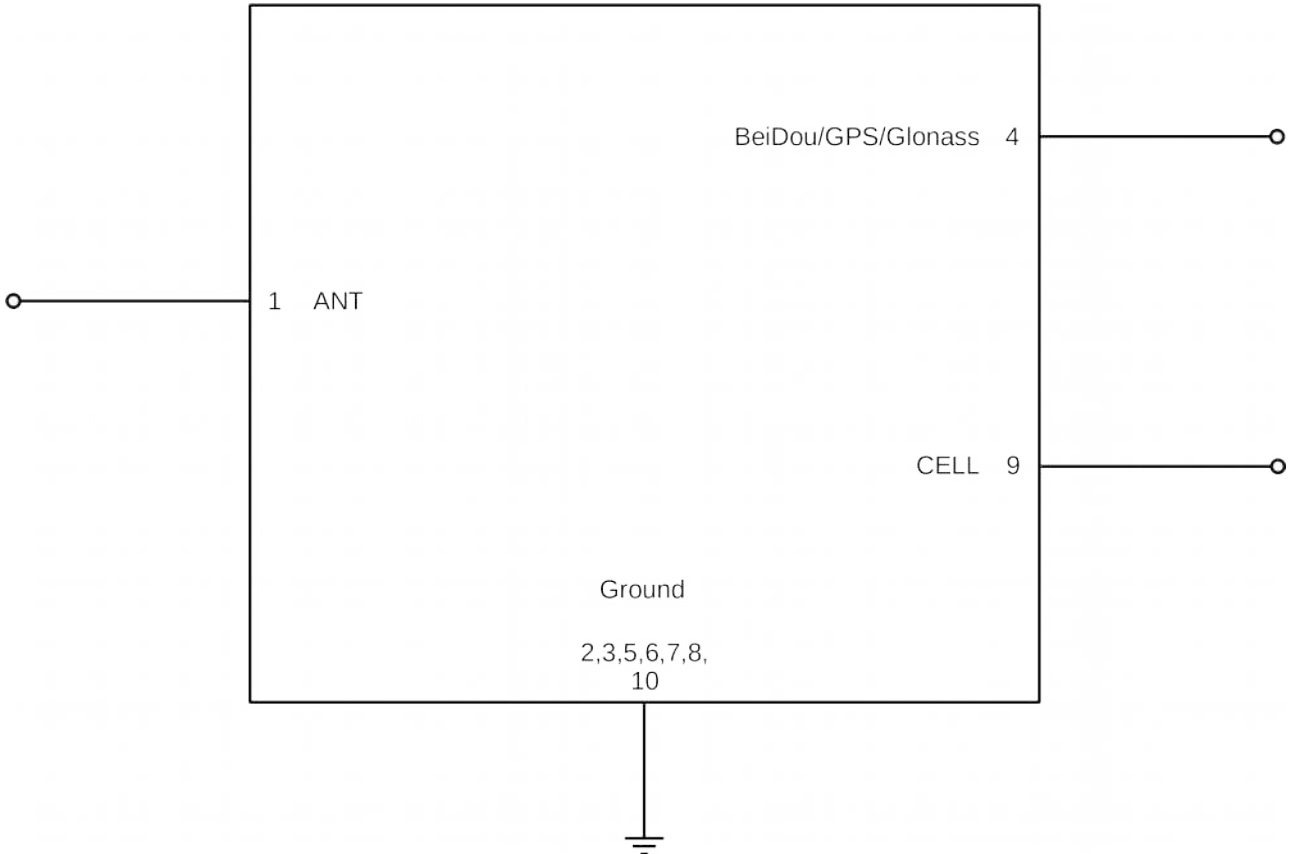


Figure 3: Schematic of matching circuit. No external matching components required.

Data sheet

6 Characteristics ANT – BeiDou/GPS/Glonass

Temperature range for specification	T_{SPEC}	$= -30\text{ °C to }+85\text{ °C}$
ANT terminating impedance	Z_{ANT}	$= 50\ \Omega$
BeiDou/GPS/Glonass terminating impedance	Z_{BGG}	$= 50\ \Omega$
CELL terminating impedance	Z_{CELL}	$= 50\ \Omega$

Characteristics		min. for T_{SPEC}	typ. @+25 °C	max. for T_{SPEC}	
Maximum insertion attenuation	α_{max}				
ANT-BeiDou	1559.052... 1563.144 MHz	—	1.2	2.6	dB
ANT-GPS	1574.42... 1576.42 MHz	—	0.8	1.5	dB
ANT-Glonass	1597.55... 1605.89 MHz	—	1.5	3.5	dB
Minimum attenuation	α_{min}				
	100... 777 MHz	33	38	—	dB
	777... 787 MHz	33	47	—	dB
	787... 960 MHz	33	44	—	dB
	1427.9... 1462.9 MHz	32	41	—	dB
	1710... 1910 MHz	34	40	—	dB
	1910... 2025 MHz	33	39	—	dB
	2110... 2170 MHz	30	38	—	dB
	2300... 2500 MHz	30	38	—	dB
	2500... 2690 MHz	29	36	—	dB
	3400... 3600 MHz	—	28	—	dB
VSWR (ANT port)	$VSWR_{max}$				
	1559.052... 1563.144 MHz	—	1.2	2.0	
	1574.42... 1576.42 MHz	—	1.3	2.0	
	1597.55... 1605.89 MHz	—	1.4	2.0	
VSWR (BeiDou/GPS/Glonass port)	$VSWR_{max}$				
	1559.052... 1563.144 MHz	—	1.3	2.1	
	1574.42... 1576.42 MHz	—	1.3	2.0	
	1597.55... 1605.89 MHz	—	1.3	2.0	

Data sheet

7 Characteristics ANT – CELL

Temperature range for specification	T_{SPEC}	= -30 °C to +85 °C
ANT terminating impedance	Z_{ANT}	= 50 Ω
BeiDou/GPS/Glonass terminating impedance	Z_{BGG}	= 50 Ω
CELL terminating impedance	Z_{CELL}	= 50 Ω

Characteristics		min. for T_{SPEC}	typ. @+25 °C	max. for T_{SPEC}	
Maximum insertion attenuation	α_{max}				
	699... 824 MHz	—	0.95	1.9	dB
	824... 960 MHz	—	0.65	1.5	dB
	1427.9... 1510.9 MHz	—	0.7	1.7	dB
	1710... 1850 MHz	—	1.2	1.8	dB
	1850... 2025 MHz	—	1.1	1.7	dB
	2110... 2170 MHz	—	1.2	1.9	dB
	2300... 2400 MHz	—	1.0	1.6	dB
	2400... 2690 MHz	—	0.8	1.5	dB
	3400... 3600 MHz	—	1.1	—	dB
VSWR (ANT port)	$VSWR_{max}$				
	699... 824 MHz	—	1.1	2.0	
	824... 960 MHz	—	1.1	2.0	
	1427.9... 1510.9 MHz	—	1.6	2.1	
	1710... 2025 MHz	—	1.3	2.0	
	2110... 2170 MHz	—	1.3	2.0	
	2300... 2400 MHz	—	1.3	2.0	
	2400... 2690 MHz	—	1.2	2.0	
VSWR (CELL port)	$VSWR_{max}$				
	699... 824 MHz	—	1.2	2.0	
	824... 960 MHz	—	1.1	2.0	
	1427.9... 1510.9 MHz	—	1.6	2.1	
	1710... 2025 MHz	—	1.5	2.1	
	2110... 2170 MHz	—	1.4	2.0	
	2300... 2400 MHz	—	1.4	2.0	
	2400... 2690 MHz	—	1.3	2.0	
3400... 3600 MHz	—	1.5	—		

Data sheet

8 Characteristics BeiDou/GPS/Glonass – CELL

Temperature range for specification	T_{SPEC}	= -30 °C to +85 °C
ANT terminating impedance	Z_{ANT}	= 50 Ω
BeiDou/GPS/Glonass terminating impedance	Z_{BGG}	= 50 Ω
CELL terminating impedance	Z_{CELL}	= 50 Ω

Characteristics		min. for T_{SPEC}	typ. @+25 °C	max. for T_{SPEC}	
Isolation	α_{min}				
	699... 777 MHz	34	48	—	dB
	777... 787 MHz	34	48	—	dB
	787... 960 MHz	34	45	—	dB
	1427.9... 1462.9 MHz	31	40	—	dB
	1710... 1990 MHz	36	44	—	dB
	2110... 2170 MHz	37	45	—	dB
	2400... 2690 MHz	32	40	—	dB
3400... 3600 MHz	—	31	—	dB	

Data sheet

9 Maximum ratings

Storage temperature	$T_{STG} = -40\text{ °C to }+85\text{ °C}^{1), 2)}$		
DC voltage	$V_{DC} = 5.0\text{ V (max.)}^{3)}$		
ESD voltage			
	V_{ESD}	50 V (max.) ⁴⁾	Machine model.
	V_{ESD}	350 V (max.) ⁵⁾	Human body model.
	V_{ESD}	600 V (max.) ⁶⁾	Charged device model.
Input power	P_{IN}		
@ CELL port: 699 ... 915 MHz	27 dBm	CW signal. 5000 h @ 55 °C.	
@ CELL port: 824 ... 849 MHz	35 dBm	GSM, duty cycle 1:8; effective power in On-state. 5000 h @ 55 °C.	
@ CELL port: 880 ... 915 MHz	35 dBm	GSM, duty cycle 1:8; effective power in On-state. 5000 h @ 55 °C.	
@ CELL port: 1710 ... 2690 MHz	27 dBm	CW signal. 5000 h @ 55 °C.	
@ CELL port: 1710 ... 1785 MHz	33 dBm	GSM, duty cycle 1:8; effective power in On-state. 5000 h @ 55 °C.	
@ CELL port: 1850 ... 1910 MHz	33 dBm	GSM, duty cycle 1:8; effective power in On-state. 5000 h @ 55 °C.	

¹⁾ Extended upper limit: 96h@125°C acc. to IEC 60068-2-2 Bb.

²⁾ Applicable only for components without tape and reel (unpacked).

³⁾ 168h Damp Heat Steady State acc. to IEC60068-2-67 Cy.

⁴⁾ According to JESD22-A115B (MM – Machine Model), 1 negative & 1 positive pulse.

⁵⁾ According to JESD22-A114F (HBM – Human Body Model), 1 negative & 1 positive pulse.

⁶⁾ According to JESD22-C101C (CDM – Field Induced Charged Device Model), 3 negative & 3 positive pulses.

Data sheet

10 ANT – BeiDou/GPS/Glonass

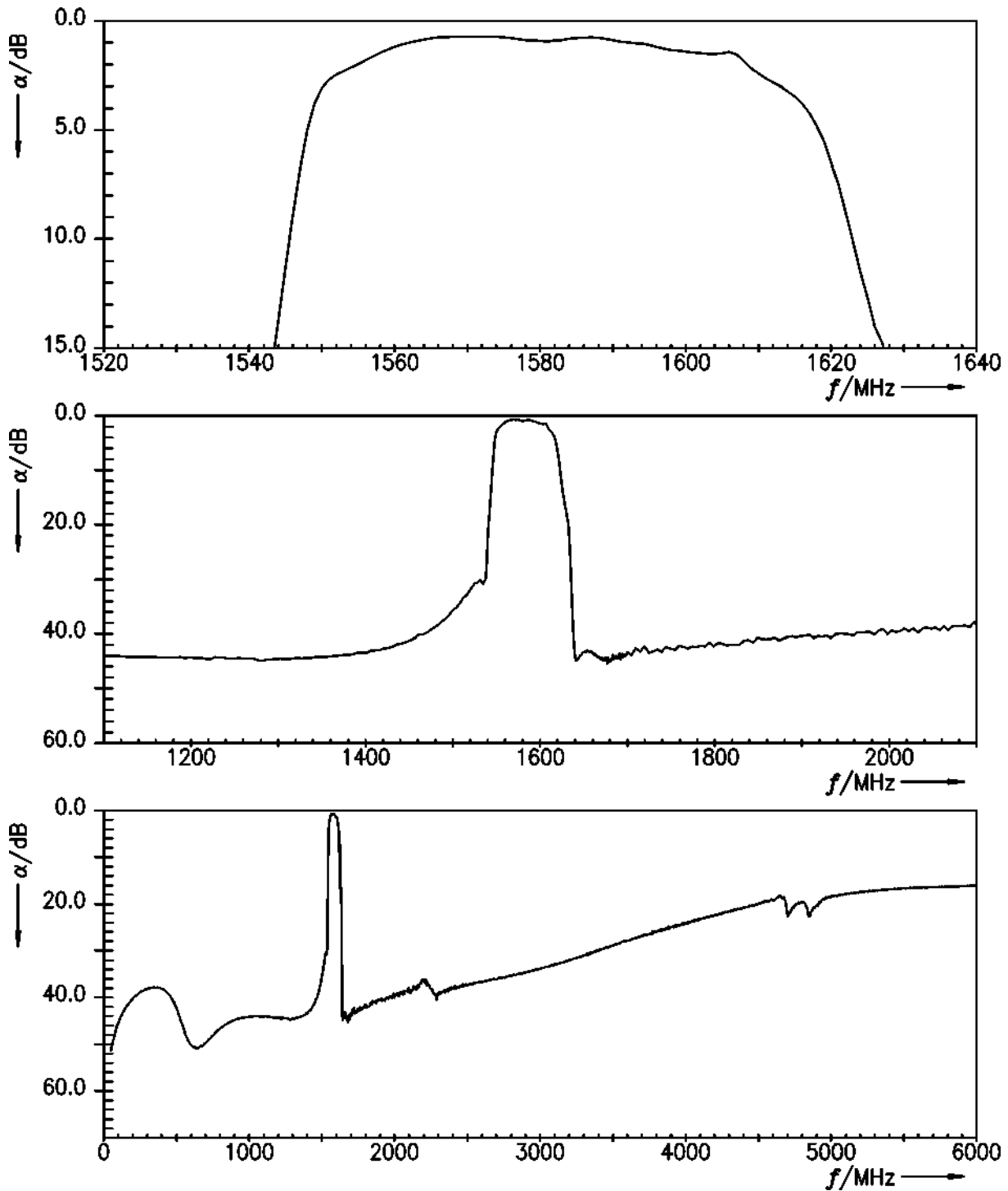


Figure 4: ANT – BeiDou/GPS/Glonass transfer function.

Data sheet

11 Smith charts/VSWR BeiDou/GPS/Glonass

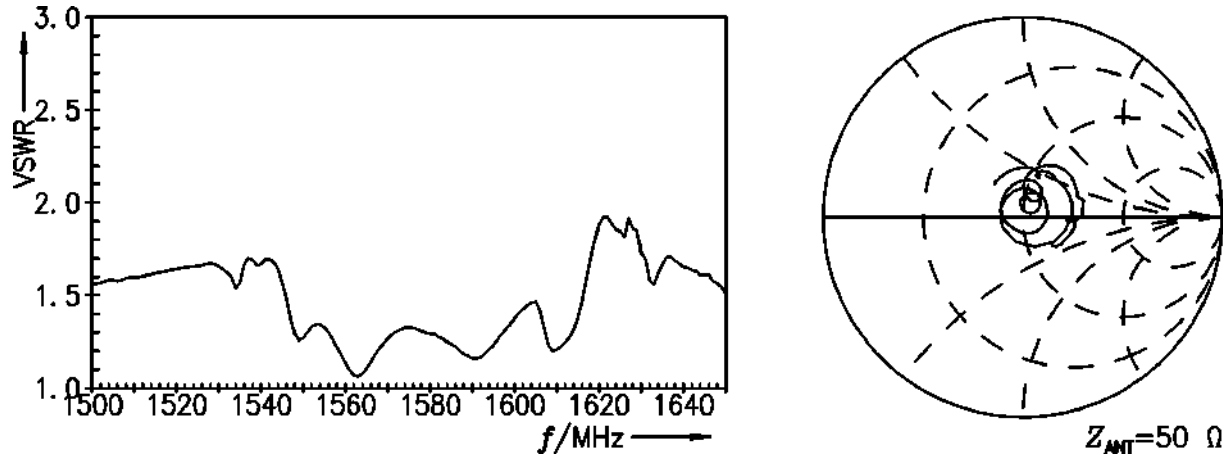


Figure 5: VSWR ANT port.

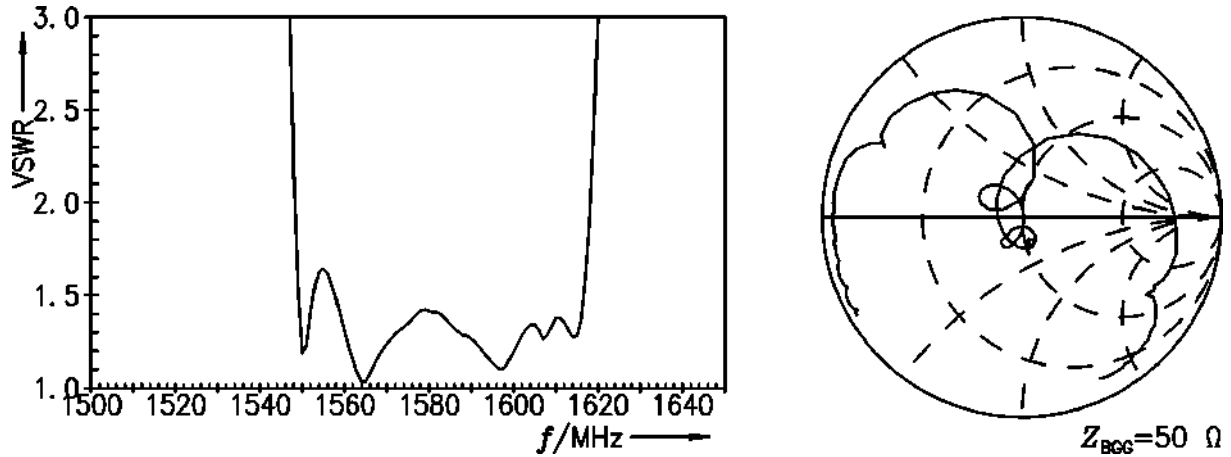


Figure 6: VSWR BeiDou/GPS/Glonass port.

Data sheet

12 ANT – CELL

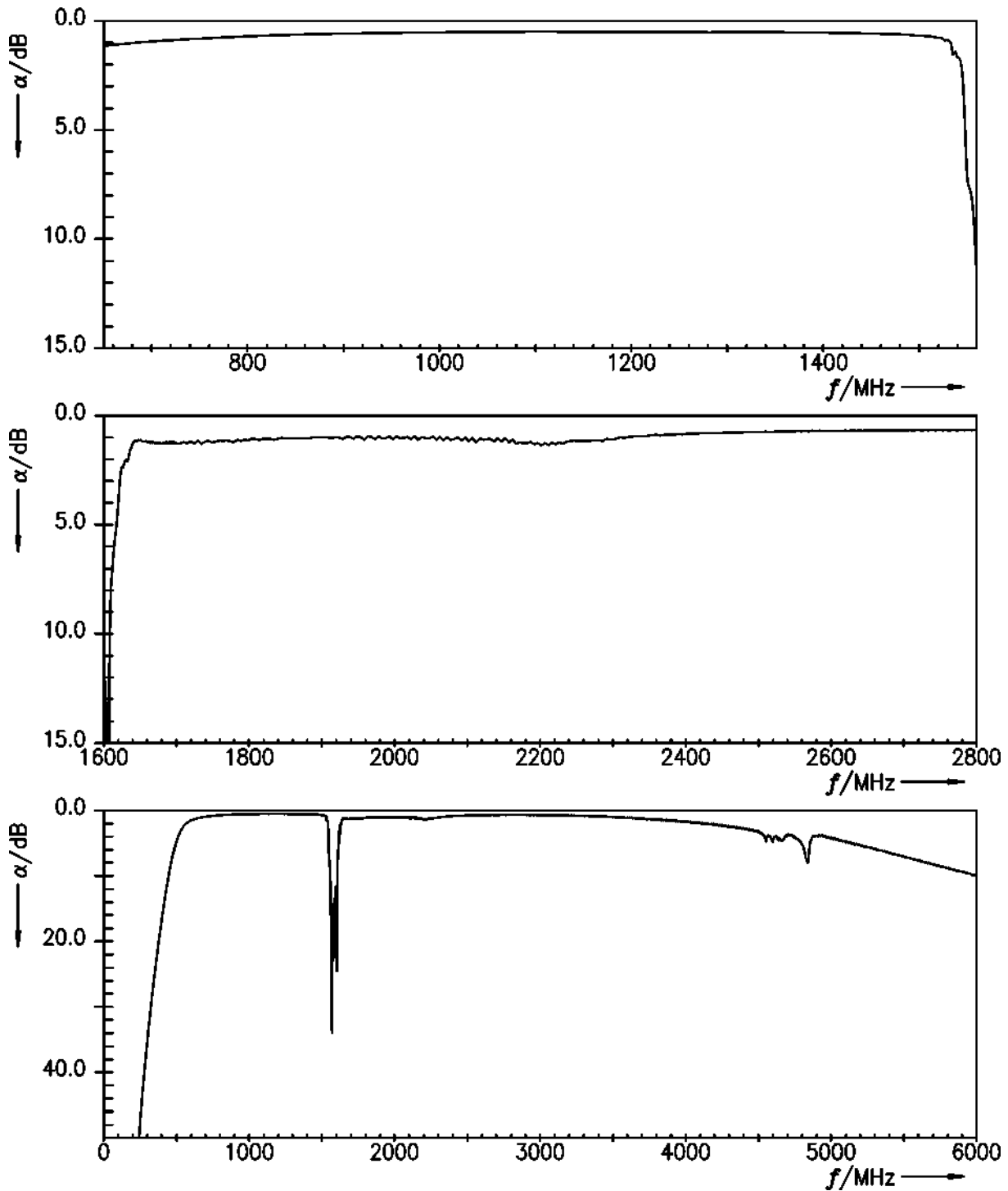


Figure 7: ANT – CELL transfer function.

Data sheet

13 Smith charts/VSWR CELL

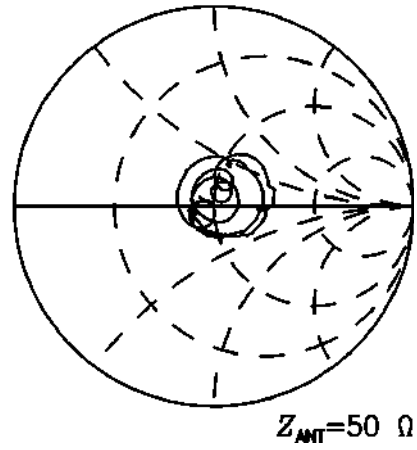
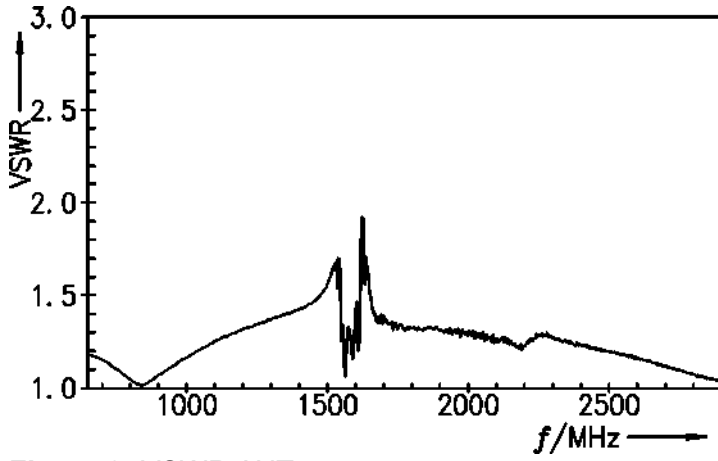


Figure 8: VSWR ANT port.

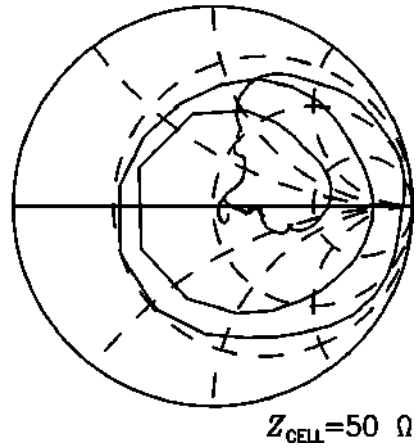
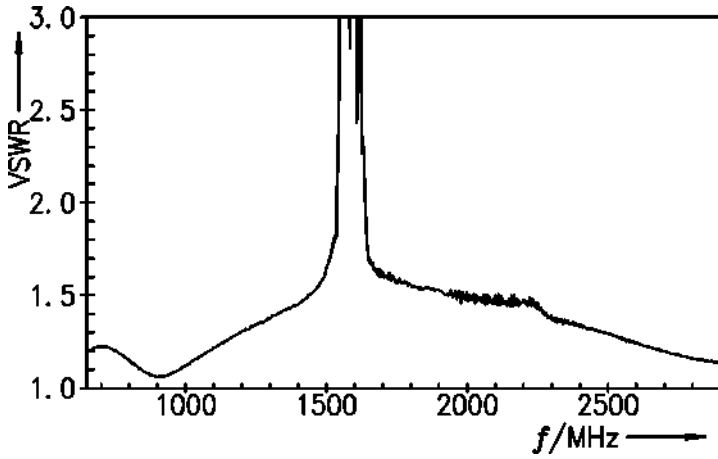


Figure 9: VSWR CELL port.

Data sheet

14 Isolations

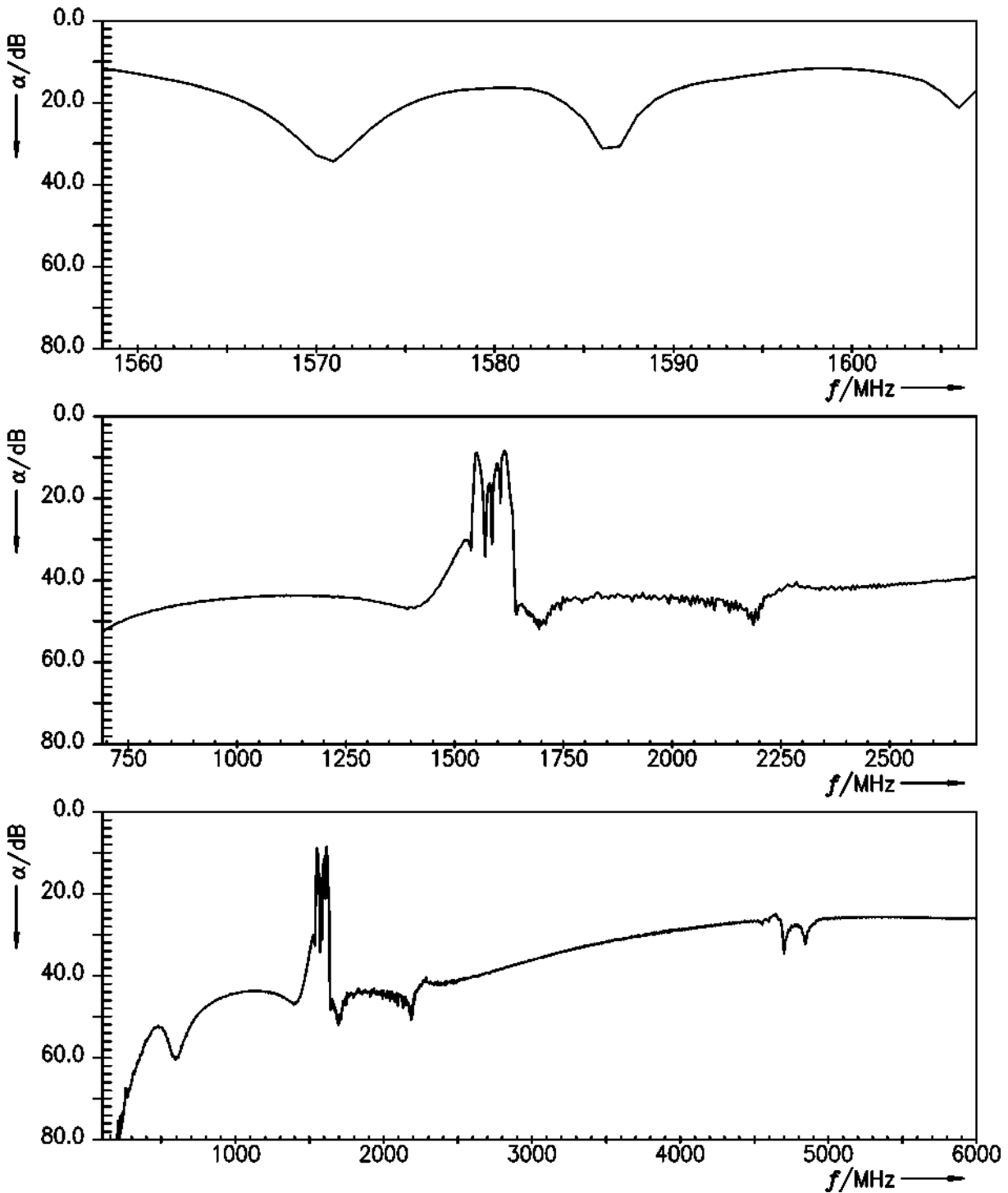


Figure 10: Isolation BeiDou/GPS/Glonass – CELL.

Data sheet

15 Packing material

15.1 Tape

Section Y-Y

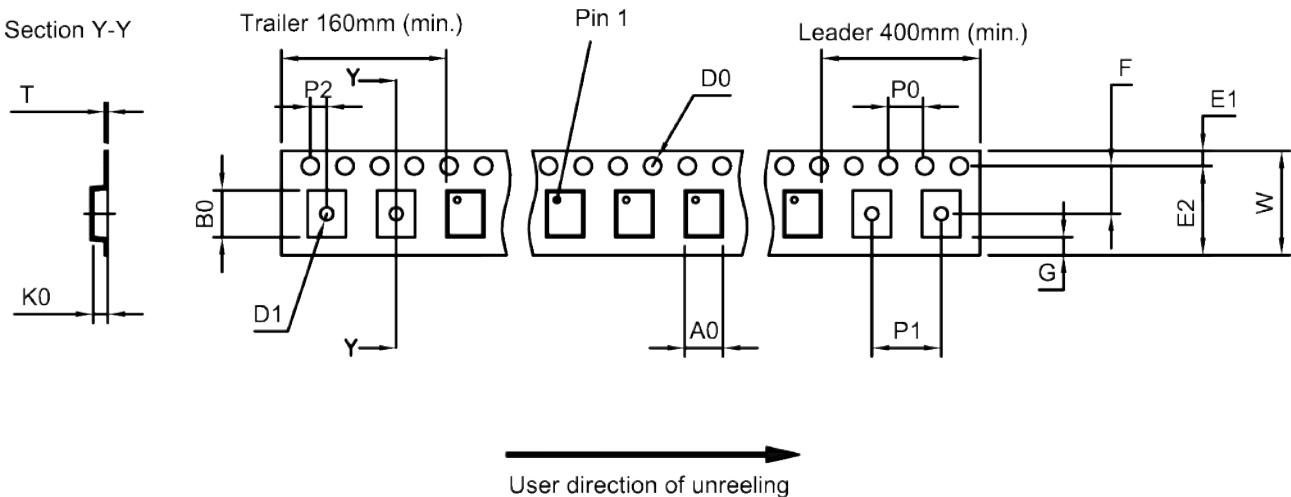


Figure 11: Drawing of tape (first-angle projection) with tape dimensions according to Table 1.

A ₀	1.52±0.05 mm
B ₀	1.94±0.05 mm
D ₀	1.55±0.05 mm
D ₁	0.50±0.05 mm
E ₁	1.75±0.1 mm

E ₂	6.25 mm (min.)
F	3.5±0.05 mm
G	0.75 mm (min.)
K ₀	0.62±0.05 mm
P ₀	4.0±0.1 mm

P ₁	4.0±0.1 mm
P ₂	2.0±0.1 mm
T	0.25±0.03 mm
W	8.0+0.3/-0 mm

Table 1: Tape dimensions.

15.2 Reel with diameter of 180 mm

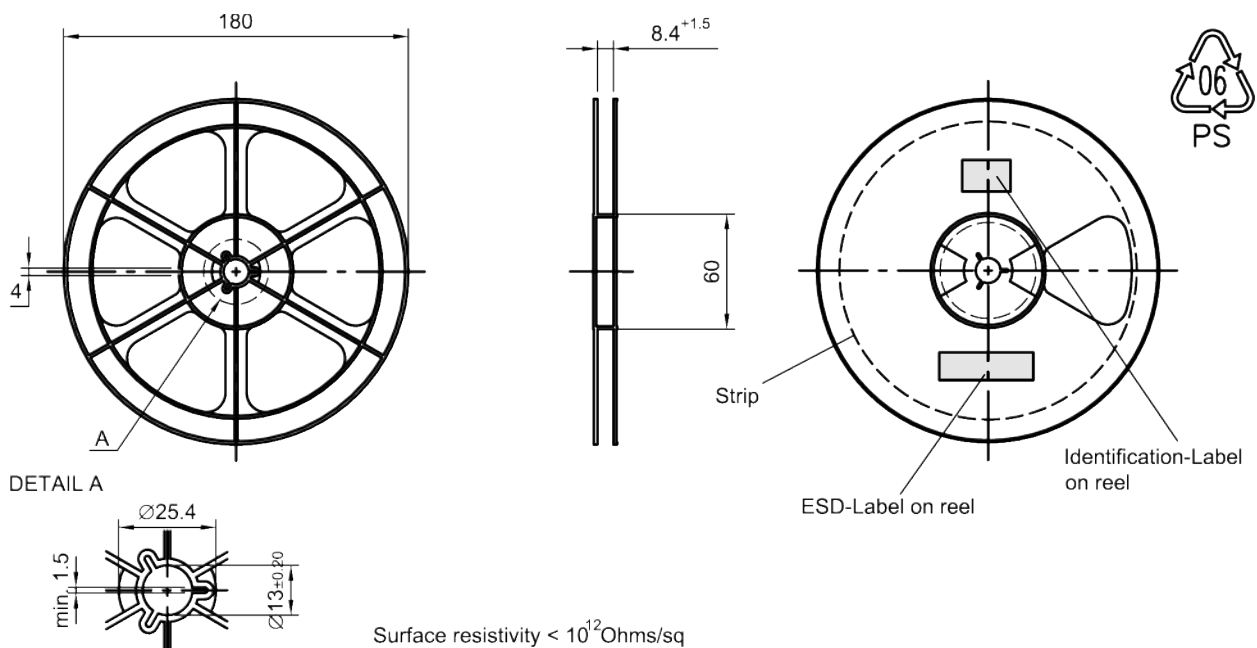


Figure 12: Drawing of reel (first-angle projection) with diameter of 180 mm.

Data sheet

Dimensions [mm]

X = 220±5

Y = 235±5

Sealing area 10 ±3

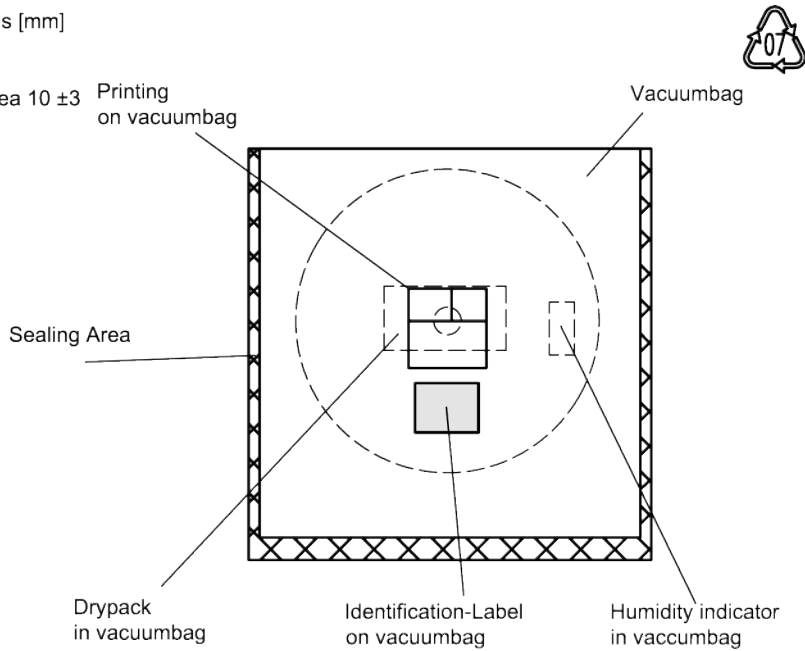


Figure 13: Drawing of moisture barrier bag (MBB) for reel with diameter of 180 mm.

Dimensions [mm]

L = 188

B = 188

H = 30

Tolerance ±5

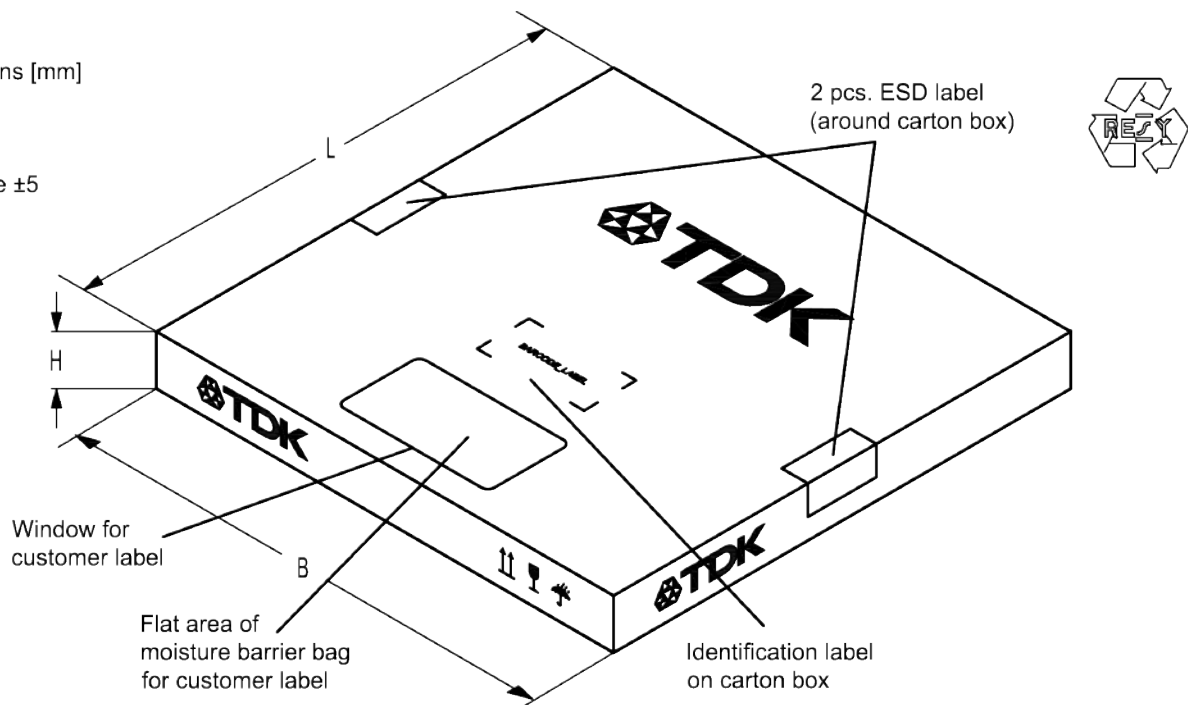


Figure 14: Drawing of folding box for reel with diameter of 180 mm.

Data sheet

15.3 Reel with diameter of 330 mm

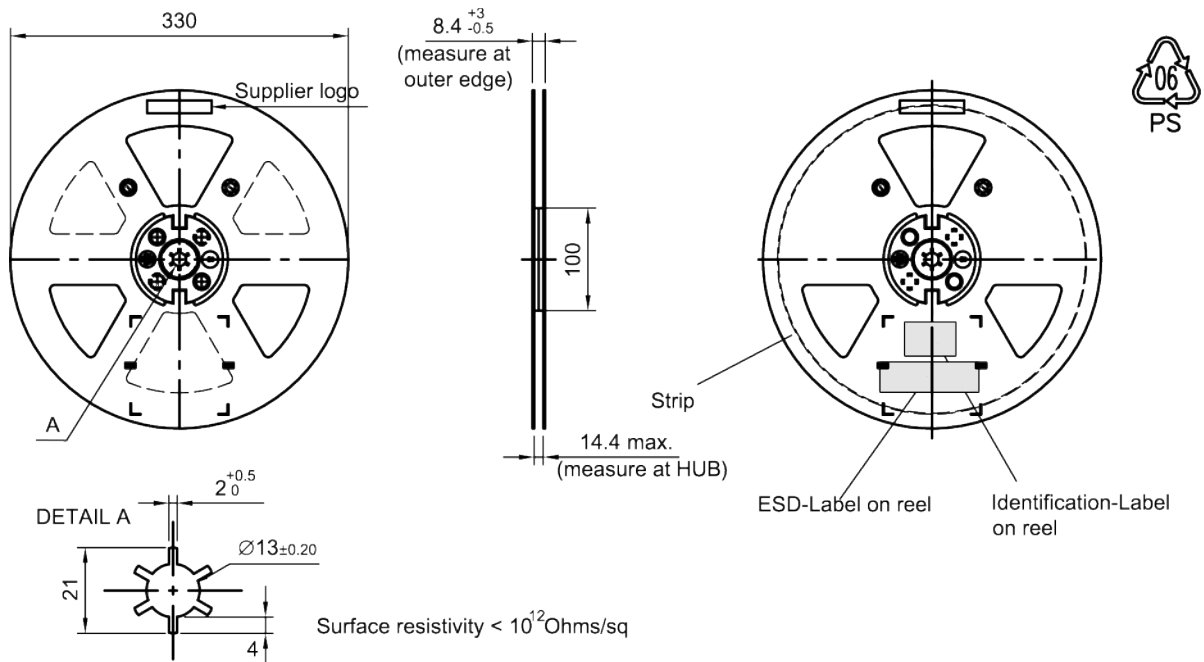


Figure 15: Drawing of reel (first-angle projection) with diameter of 330 mm.

Dimensions [mm]

X = 400±5

Y = 418±5

Sealing area 10 ±3

Printing on vacuumbag

Vacuumbag

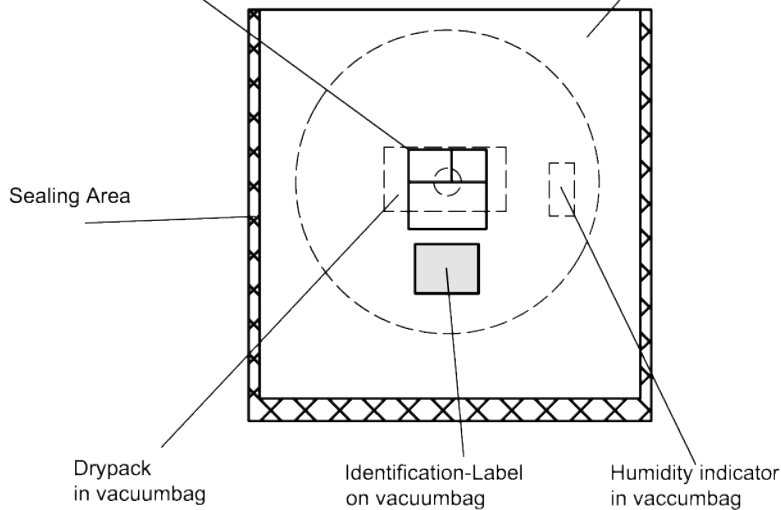


Figure 16: Drawing of moisture barrier bag (MBB) for reel with diameter of 330 mm.

Data sheet

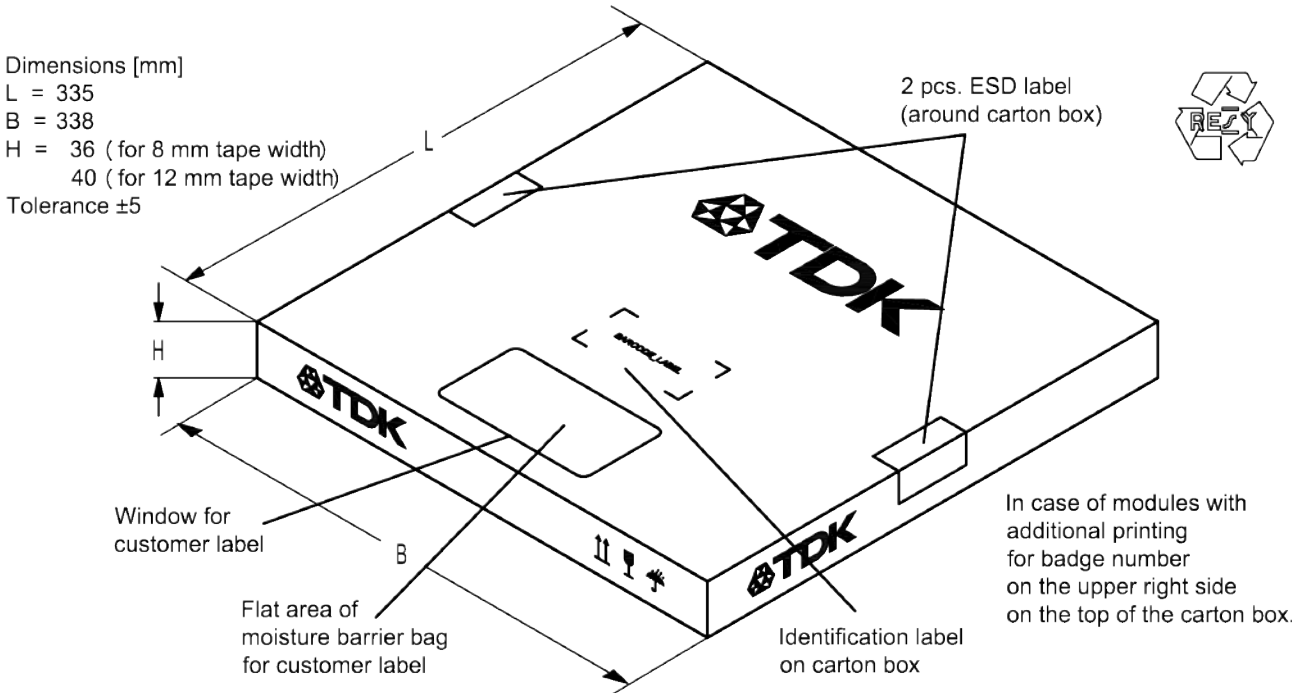


Figure 17: Drawing of folding box for reel with diameter of 330 mm.

16 Marking

Products are marked with product type number and lot number encoded according to Table 2:

■ Type number:

The 4 digit type number of the ordering code, e.g., B3xxxxB**1234**xxxx,
is encoded by a special BASE32 code into a 3 digit marking.

Example of decoding type number marking on device in decimal code.
 $16J \Rightarrow 1234$
 $1 \times 32^2 + 6 \times 32^1 + 18 (=J) \times 32^0 = 1234$

The BASE32 code for product type B8666 is 8ET.

■ Lot number:

The last 5 digits of the lot number, e.g., **12345**,
are encoded based on a special BASE47 code into a 3 digit marking.

Example of decoding lot number marking on device in decimal code.
 $5UY \Rightarrow 12345$
 $5 \times 47^2 + 27 (=U) \times 47^1 + 31 (=Y) \times 47^0 = 12345$

Data sheet

Adopted BASE32 code for type number			
Decimal value	Base32 code	Decimal value	Base32 code
0	0	16	G
1	1	17	H
2	2	18	J
3	3	19	K
4	4	20	M
5	5	21	N
6	6	22	P
7	7	23	Q
8	8	24	R
9	9	25	S
10	A	26	T
11	B	27	V
12	C	28	W
13	D	29	X
14	E	30	Y
15	F	31	Z

Adopted BASE47 code for lot number			
Decimal value	Base47 code	Decimal value	Base47 code
0	0	24	R
1	1	25	S
2	2	26	T
3	3	27	U
4	4	28	V
5	5	29	W
6	6	30	X
7	7	31	Y
8	8	32	Z
9	9	33	b
10	A	34	d
11	B	35	f
12	C	36	h
13	D	37	n
14	E	38	r
15	F	39	t
16	G	40	v
17	H	41	\
18	J	42	?
19	K	43	{
20	L	44	}
21	M	45	<
22	N	46	>
23	P		

Table 2: Lists for encoding and decoding of marking.

Data sheet

17 Soldering profile

The recommended soldering process is in accordance with IEC 60068-2-58 – 3rd edit and IPC/JEDEC J-STD-020B.

ramp rate	≤ 3 K/s
preheat	125 °C to 220 °C, 150 s to 210 s, 0.4 K/s to 1.0 K/s
$T > 220$ °C	30 s to 70 s
$T > 230$ °C	min. 10 s
$T > 245$ °C	max. 20 s
$T \geq 255$ °C	–
peak temperature T_{peak}	250 °C +0/-5 °C
wetting temperature T_{min}	230 °C +5/-0 °C for 10 s ± 1 s
cooling rate	≤ 3 K/s
soldering temperature T	measured at solder pads

Table 3: Characteristics of recommended soldering profile for lead-free solder (Sn95.5Ag3.8Cu0.7).

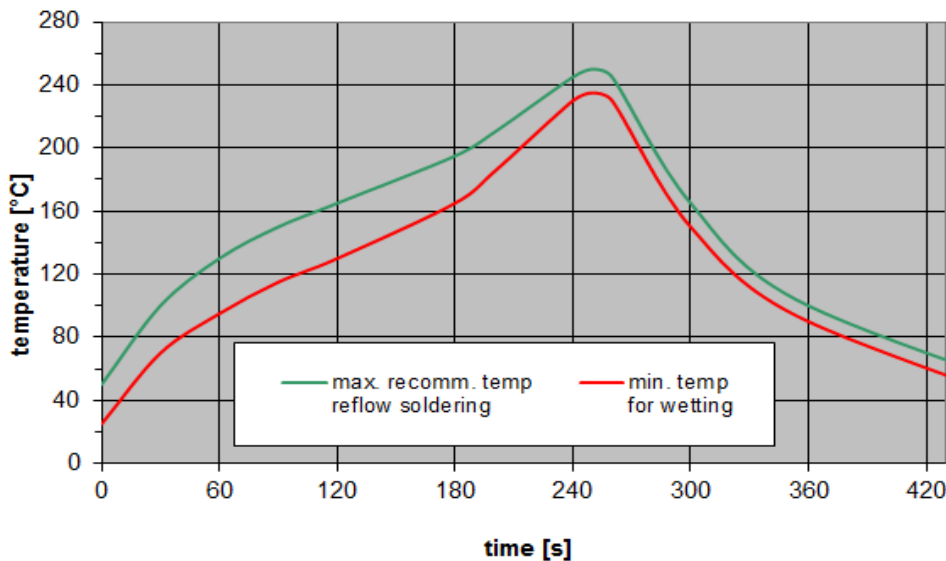


Figure 18: Recommended reflow profile for convection and infrared soldering – lead-free solder.

Data sheet

18 Annotations

18.1 Matching coils

See TDK inductor pdf-catalog <http://www.tdk.co.jp/tefe02/coil.htm#aname1> and Data Library for circuit simulation <http://www.tdk.co.jp/etvcl/index.htm>.

18.2 RoHS compatibility

ROHS-compatible means that products are compatible with the requirements according to Art. 4 (substance restrictions) of Directive 2011/65/EU of the European Parliament and of the Council of June 8th, 2011, on the restriction of the use of certain hazardous substances in electrical and electronic equipment ("Directive") with due regard to the application of exemptions as per Annex III of the Directive in certain cases.

18.3 Scattering parameters (S-parameters)

The pin/port assignment is available in the headers of the S-parameter files. Please contact your local EPCOS sales office.

18.4 Ordering code and packing units

Ordering code	Packing units
B39162B8666L210	15000 pcs

Table 4: Ordering codes and packing units.

19 Cautions and warnings

19.1 Moldability

Before using in overmolding environment, please contact your local EPCOS sales office.

19.2 Simplified drawings

Landing area

The printed circuit board (PCB) land pattern (landing area) shown is based on EPCOS internal development and empirical data and illustrated for example purposes, only. As customers' SMD assembly processes may have a plenty of variants and influence factors which are not under control or knowledge of EPCOS, additional careful process development on customer side is necessary and strongly recommended in order to achieve best soldering results tailored to the particular customer needs.

Dimensions

Unless otherwise specified all dimensions are understood using unit millimeter (mm).

Projection method

Unless otherwise specified first-angle projection is applied.

Data sheet

Contact and Important notes

For further information please contact your local EPCOS sales office or visit our web page at www.epcos.com.

Published by EPCOS AG
Systems, Acoustics, Waves Business Group
P.O. Box 80 17 09, 81617 Munich, GERMANY

© EPCOS AG 2016. This brochure replaces the previous edition.

For questions on technology, prices and delivery please contact the sales offices of EPCOS AG or the international representatives.

Due to technical requirements components may contain dangerous substances. For information on the type in question please also contact one of our sales offices.

Important notes

The following applies to all products named in this publication:

1. Some parts of this publication contain **statements about the suitability of our products for certain areas of application**. These statements are based on our knowledge of typical requirements that are often placed on our products in the areas of application concerned. We nevertheless expressly point out **that such statements cannot be regarded as binding statements about the suitability of our products for a particular customer application**. As a rule, EPCOS is either unfamiliar with individual customer applications or less familiar with them than the customers themselves. For these reasons, it is always ultimately incumbent on the customer to check and decide whether an EPCOS product with the properties described in the product specification is suitable for use in a particular customer application.
2. We also point out that **in individual cases, a malfunction of electronic components or failure before the end of their usual service life cannot be completely ruled out in the current state of the art, even if they are operated as specified**. In customer applications requiring a very high level of operational safety and especially in customer applications in which the malfunction or failure of an electronic component could endanger human life or health (e.g. in accident prevention or life-saving systems), it must therefore be ensured by means of suitable design of the customer application or other action taken by the customer (e.g. installation of protective circuitry or redundancy) that no injury or damage is sustained by third parties in the event of malfunction or failure of an electronic component.
3. **The warnings, cautions and product-specific notes must be observed.**
4. In order to satisfy certain technical requirements, **some of the products described in this publication may contain substances subject to restrictions in certain jurisdictions (e.g. because they are classed as hazardous)**. Useful information on this will be found in our Material Data Sheets on the Internet (www.epcos.com/material). Should you have any more detailed questions, please contact our sales offices.
5. We constantly strive to improve our products. Consequently, **the products described in this publication may change from time to time**. The same is true of the corresponding product specifications. Please check therefore to what extent product descriptions and specifications contained in this publication are still applicable before or when you place an order. We also **reserve the right to discontinue production and delivery of products**. Consequently, we cannot guarantee that all products named in this publication will always be available.
The aforementioned does not apply in the case of individual agreements deviating from the foregoing for customer-specific products.
6. Unless otherwise agreed in individual contracts, **all orders are subject to the current version of the “General Terms of Delivery for Products and Services in the Electrical Industry” published by the German Electrical and Electronics Industry Association (ZVEI)**.
7. The trade names EPCOS, Alu-X, CeraDiode, CeraLink, CeraPad, CeraPlas, CSMP, CSSP, CTVS, DeltaCap, DigiSiMic, DSSP, ExoCore, FilterCap, FormFit, LeaXield, MiniBlue, MiniCell, MKD, MKK, MotorCap, PCC, PhaseCap, PhaseCube, PhaseMod, PhiCap, PQSine, SIFERRIT, SIFI, SIKOREL, SilverCap, SIMDAD, SiMic, SIMID, SineFormer, SIOV, SIP5D, SIP5K, TFAP, ThermoFuse, WindCap are **trademarks registered or pending** in Europe and in other countries. Further information will be found on the Internet at www.epcos.com/trademarks.

Mouser Electronics

Authorized Distributor

Click to View Pricing, Inventory, Delivery & Lifecycle Information:

[Qualcomm RF360:](#)

[B39162B8666L210](#)