

3.3 V HCMOS/ TTL, J LEADED, PLASTIC MOLDED SURFACE MOUNT CRYSTAL CLOCK OSCILLATOR

ASML SERIES

RoHS
Compliant



14.0 x 8.95 x 4.7 mm

The 14x9.8mm plastic package oscillator is not recommended for new designs. Please consider our reduced size ceramic or plastic molded SMD packages. Recommended series include ASL, ASV, ASVM, ASFL, ASFLM, ASE, ASEM.

Product Life Cycle: Declining, Planned EOL/Obsolescence pending 12/31/2011

FEATURES:

- Industry standard J-Leaded terminals.
- Plastic molded SMD, suitable for RoHS compliant reflow
- Tristate Enable/Disable.
- HCMOS output.
- 3.3Vdc operation.
- Extended temperature -40°C to +85°C option.

APPLICATIONS:

- Provide clock signals for microprocessors and digital circuits.
- Communication equipment, AV and OA equipment

STANDARD SPECIFICATIONS:

Parameters	Minimum	Typical	Maximum	Units	Notes
Frequency Range:	1.0	-----	106.25	MHz	
Operating Temperature:	0	-----	+70	°C	See options
Storage Temperature:	-55	-----	+125	°C	
Overall Frequency Stability*:	-100	-----	+100	ppm	See options
Supply Voltage (Vdd):	2.97	3.3	3.63	V	
Supply Current (I _{dd}):	-----	-----	15	mA	F ≤ 20 MHz
	-----	-----	35		F ≤ 70 MHz
	-----	-----	60		F ≤ 106.25 MHz
Output Load	-----	-----	15	pF	
	-----	-----	10	TTL	
Output Voltage:	V _{OH}	0.9*Vdd	-----	V	
	V _{OL}	-----	0.1*Vdd	V	
Tri-state function :	"1" (VIH≥2.2V) or Open: Oscillation "0" (VIL<0.8V) : Hi Z				
Aging:	-5.0	-----	+5.0	ppm	@+25°C First year
Symmetry:	40	-----	60	%	@1/2Vdd (See options)
Start-up Time :	-----	-----	10	ms	
Rise/Fall Time (Tr/Tf):	-----	-----	5	ns	
Period jitter one sigma :	-----	-----	25	ps	

OPTIONS AND PART IDENTIFICATION

(Left blank if standard)

ASML - MHz - - - -

Frequency in MHz
Please specify the frequency in MHz. e.g. 14.31818MHz

Operating Temp. Range
D: -10°C to +60°C
E: -20°C to +70°C
F: -30°C to +70°C
N: -30°C to +85°C
L: -40°C to +85°C

Overall Freq. Stability
R: ±25ppm
K: ±30ppm
C: ±50ppm

Symmetry
Blank: 40/60% @1/2Vdd
S: 45/55% @1/2Vdd
S1: 45/55% @1.4Vdc

Packaging
Blank: Bulk
T: 1000pcs/reel

3.3 V HCMOS/ TTL, J LEADED, PLASTIC MOLDED SURFACE MOUNT CRYSTAL CLOCK OSCILLATOR

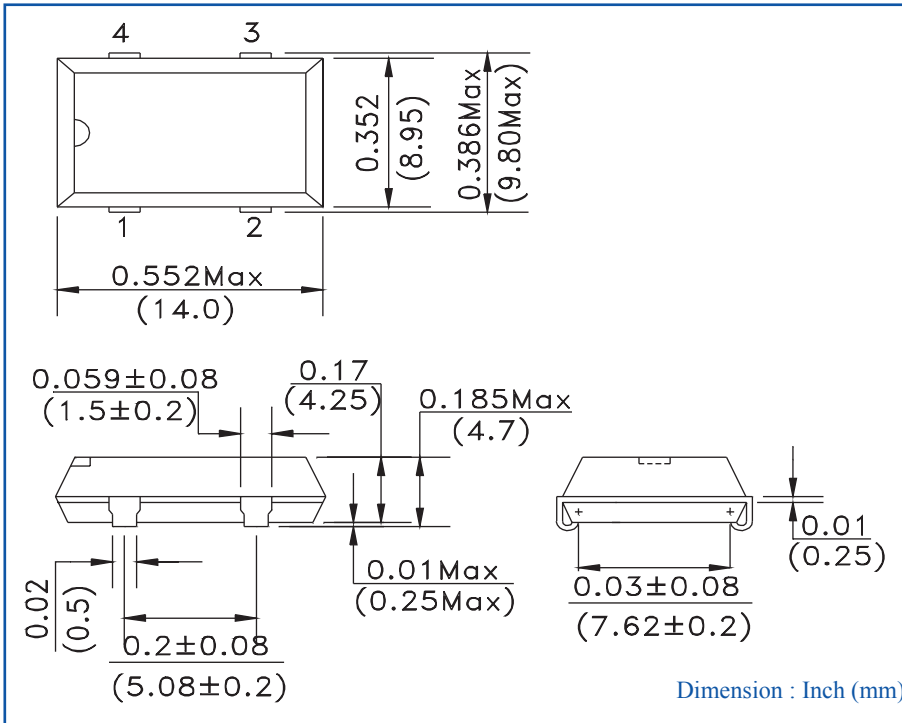
ASML SERIES

RoHS
Compliant

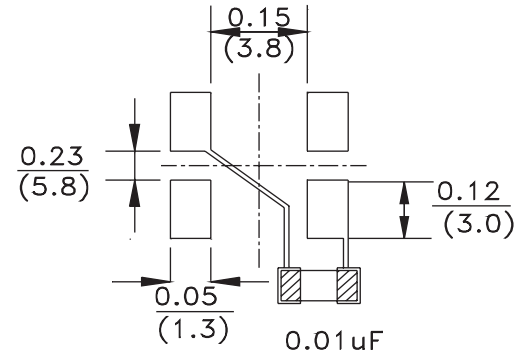


14.0 x 8.95 x 4.7 mm

OUTLINE DRAWING:



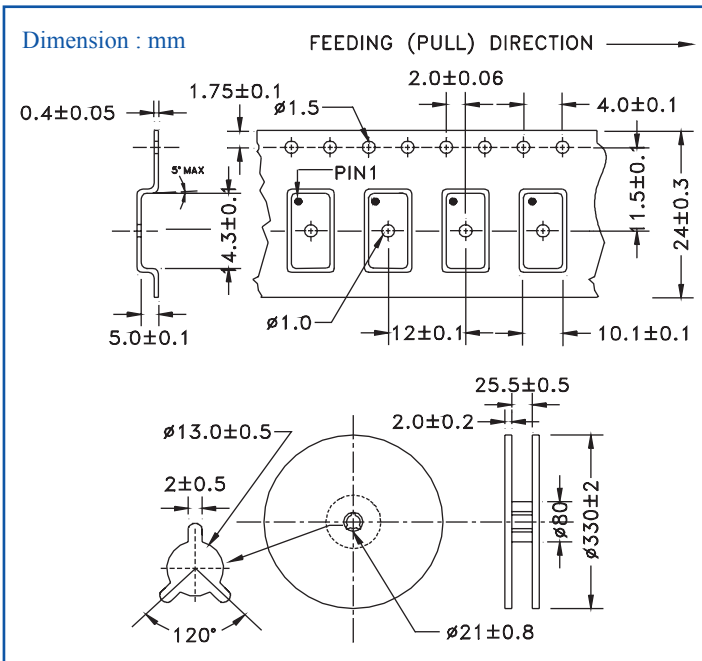
Recommended land pattern



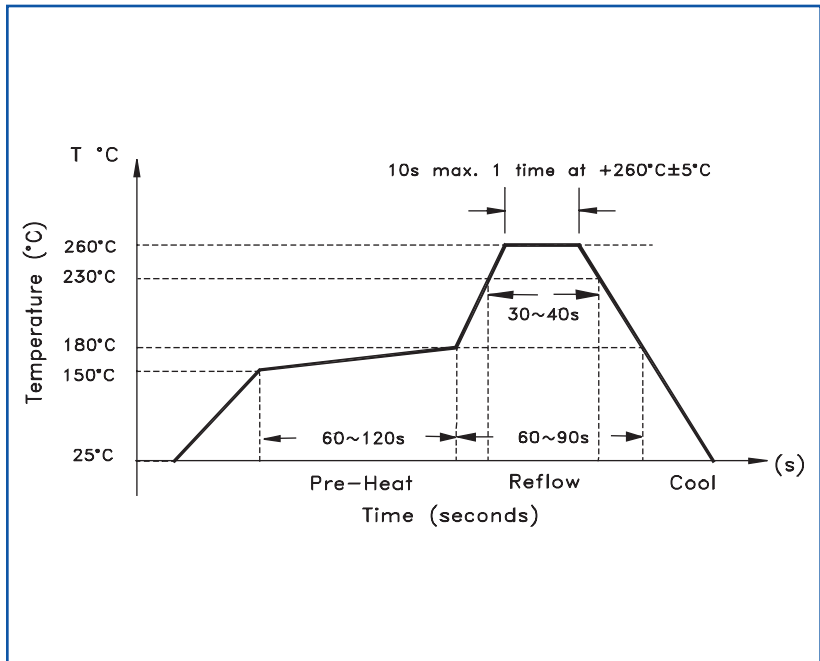
PIN	FUNCTION
1	Tristate
2	GND/Case
3	Output
4	Vdd

Note: Recommend using an approximately 0.01uF bypass capacitor between pin 2 and 4.

TAPE AND REEL: T= tape and reel (1,000pcs/reel)



REFLOW PROFILE:



ATTENTION: Abracon Corporation's products are COTS – Commercial-Off-The-Shelf products; suitable for Commercial, Industrial and, where designated, Automotive Applications. Abracon's products are not specifically designed for Military, Aviation, Aerospace, Life-dependant Medical applications or any application requiring high reliability where component failure could result in loss of life and/or property. For applications requiring high reliability and/or presenting an extreme operating environment, written consent and authorization from Abracon Corporation is required. Please contact Abracon Corporation for more information.

ABRACON IS
ISO9001:2008
CERTIFIED



Visit www.abracon.com for Terms & Conditions of Sale **Revised: 05.17.11**
30332 Esperanza, Rancho Santa Margarita, California 92688
tel 949-546-8000 | fax 949-546-8001 | www.abracon.com