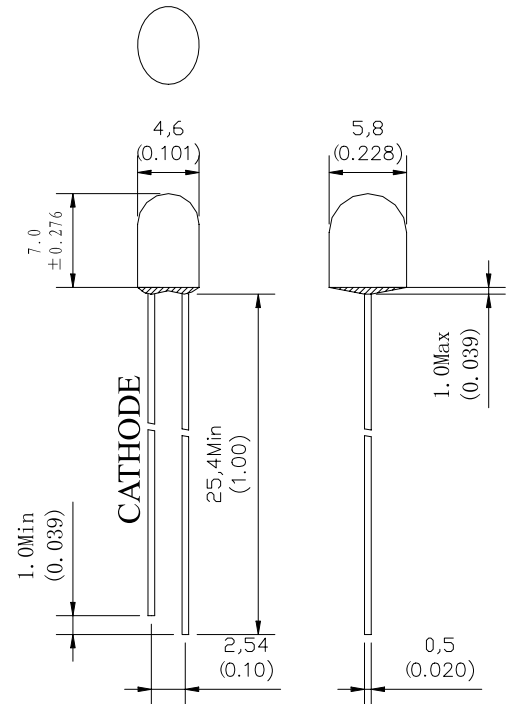


GNL-5083xx (Φ 5mm OVAL TYPE) Ultra Brightness series

ABSOLUTE MAXIMUM RATING:(Ta=25°C)

Parameter			Unit
DC Forward Current	30		mA
Reverse Voltage	5		V
Reverse Current (Vr=5V)	10		μA
Peak Forward Current ,tw ,=1 msec Duty ,=1/20	150		mA
Operation Temperature	-40	+80	°C
Storage Temperature	-40	+100	°C
Solder Dip (5 seconds,1.6mm from body) Temperature	300	±5	°C



Feature:

- 1.Small flange without stand-off
- 2.Long life-solid state reliability
- 3.Long lead length(25.4mm)
- 4.Versatile mounting on P.C. board or panel

Description:

- 1.The shape of this series is round
- 2.General application is for indication,illumination,etc.
- 3.These LED lamps are available with a choice of defferent colors,light intensities,epoxy colors,etc.

Part Number	EMITTED COLOR		Lens Color	Peak Wavelength (nm)	Vf (v) Typ.	IV (If=20mA) mcd		View Angle 2 θ 1/2
						Min.	Typ.	
GNL-5083URC	GaAlAs	Super Red	Water Clear	660	1.9	250	350	70° /30°
GNL-5083UEC	AlGaInP	Super Red	Water Clear	625	2.0	650	750	70° /30°
GNL-5083UYC	AlGaInP	Super Yellow	Water Clear	590	2.0	700	900	70° /30°
GNL-5083UBC	InGaN	Super Blue	Water Clear	470	3.5	2300	2700	70° /30°
GNL-5083PGC	InGaN	Pure Green	Water Clear	525	3.5	3300	3700	70° /30°
GNL-5083BGC	InGaN	Super Cyan	Water Clear	505	3.5	2300	2700	70° /30°
GNL-5083UGC	AlGaInP	Yellow Green	Water Clear	572	2.0	600	700	70° /30°
GNL-5083UEC-TL	AlGaInP	Ultra Super Red	Water Clear	625	2.0	1000	1200	70° /30°
GNL-5083UYC-TL	AlGaInP	Ultra Super Yellow	Water Clear	590	2.0	1000	1200	70° /30°
GNL-5083UBC-TL	InGaN	Ultra Super Blue	Water Clear	470	3.5	3000	3500	70° /30°
GNL-5083PGC-TL	InGaN	Ultra Super Green	Water Clear	525	3.5	4000	5000	70° /30°