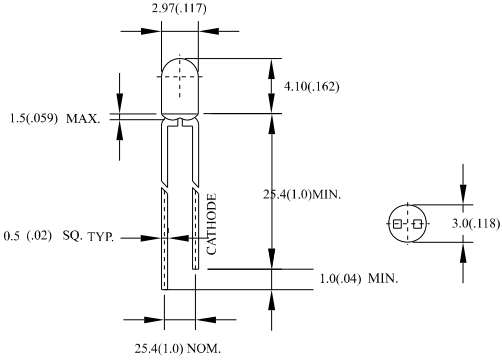
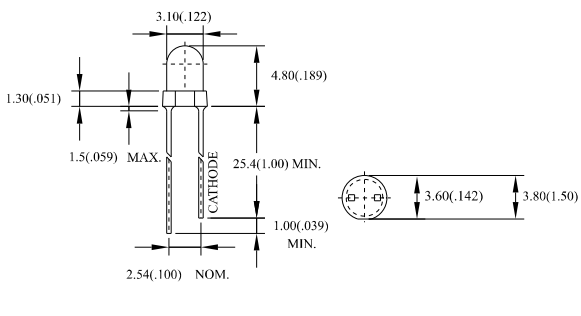
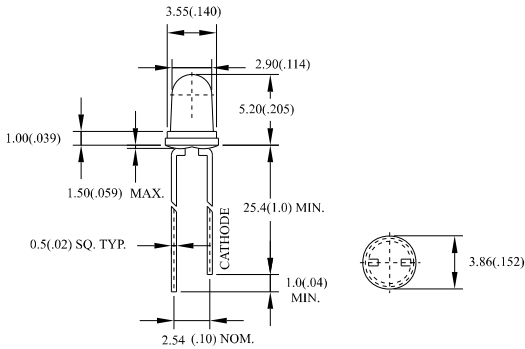
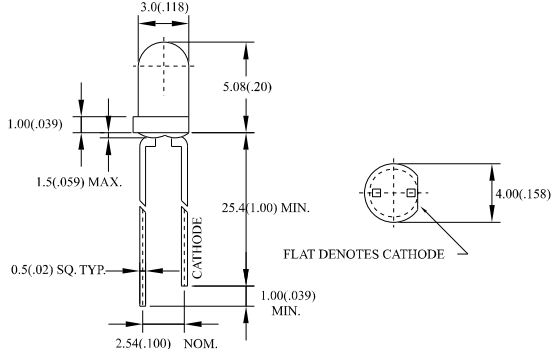
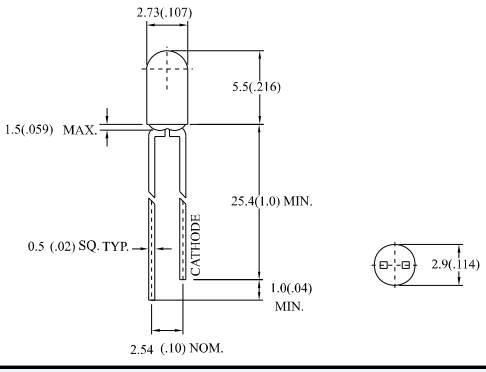
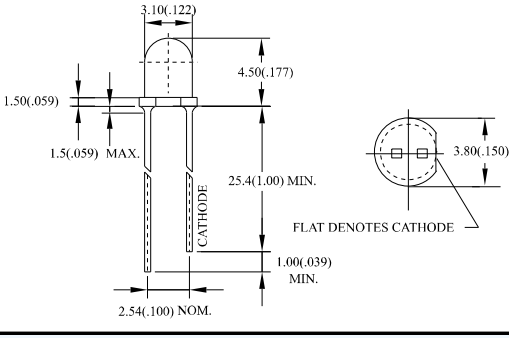
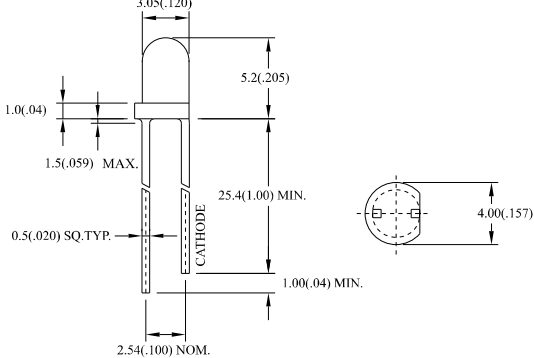
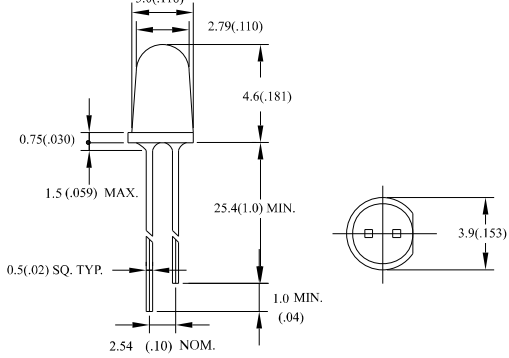




# STANDARD LED LAMPS(ROUND TYPES)

Package	Part No.	Chip		Lens Appearance	Absolute Maximum Ratings				Electro-optical Data(At 20mA)			Viewing Angle 2θ 1/2 (deg)	Drawing No.
		Material/ Emitted Color	Peak Wave Length λ p (nm)		Δ λ (nm)	Pd (mw)	If (mA)	Peak (mA)	Vf (V)		Iv (mcd)		
									Typ	Max	Typ.		
T-1 Flangeless 1.0" Lead 3.0 φ	BL-B1131N	GaAsP/GaAs/ Red	655	Red Diffused	40	80	40	200	1.7	2.0	2.0	55	L-025
	BL-B5131N	GaP/GaP/ Bright Red	700		90	40	15	50	2.2	2.6	3.0		
	BL-B4531N	GaAsP/GaP/ Hi-Eff Red	635		45	80	30	150	2.0	2.6	12.0		
	BL-B2131N	GaP/GaP/ Green	568	Green Diffused	30	80	30	150	2.2	2.6	12.0		
	BL-B3131N	GaAsP/GaP/ Yellow	585	Yellow Diffused	35	80	30	150	2.1	2.6	10.0		
	BL-B4131N	GaAsP/GaP / Orange	635	Orange Diffused	45	80	30	150	2.0	2.6	12.0		
T1 Standard 1.0" Lead 3.1 φ	BL-B4541Q	GaAsP/GaP/Hi-Eff Red	635	Red Diffused	45	80	30	150	2.0	2.6	60.0	40	L-026
	BL-B2141Q	GaP/GaP/ Green	568	Green Diffused	30	80	30	150	2.2	2.6	60.0		
	BL-B3141Q	GaAsP/GaP/ Yellow	585	Yellow Diffused	35	80	30	150	2.1	2.6	50.0		
	BL-B4141Q	GaAsP/GaP / Orange	635	Orange Diffused	45	80	30	150	2.0	2.6	60.0		
	BL-B3341Q	GaAsP/GaP / Yellow	585	Water Clear	35	80	30	150	2.1	2.6	90.0		
	BL-B2341Q	GaP/GaP/ Green	568		30	80	30	150	2.2	2.6	110.0		
T-1 1.0" Lead 3.55 φ	BL-B1131T	GaAsP/GaAs/ Red	655	Red Diffused	40	80	40	200	1.7	2.0	4.0	35	L-027
	BL-B5131T	GaP/GaP/ Bright Red	700		90	40	15	50	2.2	2.6	6.0		
	BL-B4531T	GaAsP/GaP/ Hi-Eff Red	635		45	80	30	150	2.0	2.6	70.0		
	BL-B2131T	GaP/GaP/ Green	568	Green Diffused	30	80	30	150	2.2	2.6	70.0		
	BL-B3131T	GaAsP/GaP/ Yellow	585	Yellow Diffused	35	80	30	150	2.1	2.6	60.0		
	BL-B2431T	GaP/GaP/ Green	568	Green Trans	30	80	30	150	2.2	2.6	120.0		
T-1 Profile 1.0"Lead 3.0 φ	BL-B3431T	GaAsP/GaP/ Yellow	585	Yellow Trans	35	80	30	150	2.1	2.6	100.0	50	L-028
	BL-B4531U	GaAsP/GaP/Hi-Eff Red	635	Red Diffused	45	80	30	150	2.0	2.6	15.0		
	BL-B2131U	GaP/GaP/ Green	568	Green Diffused	30	80	30	150	2.2	2.6	15.0		
	BL-B3131U	GaAsP/GaP/ Yellow	585	Yellow Diffused	35	80	30	150	2.1	2.6	10.0		
	BL-B4131U	GaAsP/GaP/ Orange	635	Orange Diffused	45	80	30	150	2.0	2.6	15.0		
	BL-B2431U	GaP/GaP/ Green	568	Green Trans	30	80	30	150	2.2	2.6	65.0		
T-1 Flangeless 1.0"Lead 2.9 φ	BL-B3431U	GaAsP/GaP /Yellow	585	Yellow Trans	35	80	30	150	2.1	2.6	50.0	45	L-029
	BL-B2331U	GaP/GaP/ Green	568	Water Clear	30	80	30	150	2.2	2.6	65.0		
	BL-B3331U	GaAsP/GaP /Yellow	585		35	80	30	150	2.1	2.6	50.0		
	BL-B1131V	GaAsP/GaAs/ Red	655	Red Diffused	40	80	40	200	1.7	2.0	6.0		
	BL-B5131V	GaP/GaP/ Bright Red	700		90	40	15	50	2.2	2.6	8.0		
	BL-B4531V	GaAsP/GaP/ Hi-Eff Red	635		45	80	30	150	2.0	2.6	20.0		
T-1 Flangeless 1.0"Lead 3.1 φ	BL-B2131V	GaP/GaP/ Green	568	Green Diffused	30	80	30	150	2.2	2.6	20.0	50	L-030
	BL-B3131V	GaAsP/GaP/ Yellow	585	Yellow Diffused	35	80	30	150	2.1	2.6	15.0		
	BL-B2431V	GaP/GaP/ Green	568	Green Trans	30	80	30	150	2.0	2.6	100		
	BL-B4631V	GaAsP/GaP/ Hi-Eff Red	635	Red Trans	45	80	30	150	2.0	2.6	100		
	BL-B1131W	GaAsP/GaAs/ Red	655	Red Diffused	40	80	40	200	1.7	2.0	6.0		
	BL-B5131W	GaP/GaP/ Bright Red	700		90	40	15	50	2.2	2.6	8.0		
BL-B4531W	GaAsP/GaP/ Hi-Eff Red	635	45		80	30	150	2.0	2.6	25.0			
T-1 1.0"Lead 3.0 φ	BL-B2131W	GaP/GaP/ Green	568	Green Diffused	30	80	30	150	2.2	2.6	25.0	40	L-031
	BL-B3131W	GaAsP/GaP/ Yellow	585	Yellow Diffused	35	80	30	150	2.1	2.6	20.0		
	BL-B2431W	GaP/GaP/ Green	568	Green Trans	30	80	30	150	2.0	2.6	100		
	BL-B4631W	GaAsP/GaP/ Hi-Eff Red	635	Red Trans	45	80	30	150	2.0	2.6	100		
	BL-B1141X	GaAsP/GaAs /Red	655	Red Diffused	40	80	40	200	1.7	2.0	6.0		
	BL-B5141X	GaP/GaP/ Bright Red	700		90	40	15	50	2.2	2.6	8.0		
BL-B4541X	GaAsP/GaP/ Hi-Eff Red	635	45		80	30	150	2.0	2.6	25.0			
T-1 1.0"Lead 3.0 φ	BL-B2141X	GaP/GaP/ Green	568	Green Diffused	30	80	30	150	2.2	2.6	25.0	35	L-032
	BL-B3141X	GaAsP/GaP/ Yellow	585	Yellow Diffused	35	80	30	150	2.1	2.6	20.0		
	BL-B2441X	GaP/GaP/ Hi-Eff Green	568	Green Trans	30	80	30	150	2.0	2.6	100		
	BL-B4331Z	GaAsP/GaP/ Orange	635	Red Trans	45	80	30	150	2.0	2.6	100		
	BL-B2331Z	GaP/GaP/ Green	568		30	80	30	150	2.0	2.6	100		
T-1 1.0"Lead 3.0 φ	BL-B3331Z	GaAsP/GaP / Yellow	585	Orange Trans	35	80	30	150	2.1	2.6	80.0	35	L-032
	BL-B4431Z	GaAsP/GaP/ Orange	635		45	80	30	150	2.0	2.6	100		
	BL-B2431Z	GaP/GaP/ Green	568	Green Trans	30	80	30	150	2.0	2.6	100		

Remark : 1.Hi-Eff Red / High-Efficiency Red.  
 2. Trans / Transparent.  
 3. 2θ 1/2 The off-axis angle at which the luminous intensity is half the axial luminous intensity.

<p><b>L-025</b>      <b>BL-Bxx31N Series</b></p> 	<p><b>L-026</b>      <b>BL-Bxx41Q Series</b></p> 
<p><b>L-027</b>      <b>BL-Bxx31T Series</b></p> 	<p><b>L-028</b>      <b>BL-Bxx31U Series</b></p> 
<p><b>L-029</b>      <b>BL-Bxx31V Series</b></p> 	<p><b>L-030</b>      <b>BL-Bxx31W Series</b></p> 
<p><b>L-031</b>      <b>BL-Bxx41X Series</b></p> 	<p><b>L-032</b>      <b>BL-Bxx31Z Series</b></p> 

Notes : 1.All Dimensions are in millimeters (inches).  
2.Tolerance is  $\pm 0.25\text{mm}$  (.010").