

ARL2-5053UBC-1.8cd

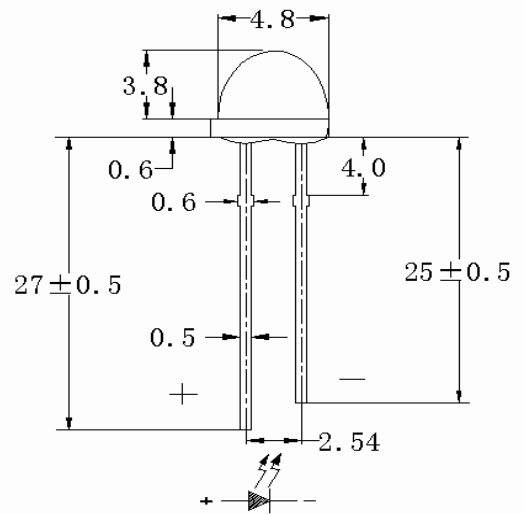
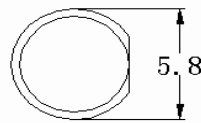


APPLICATIONS

- Status indicators.
- Advertising Signs
- Commercial use.
- Back lighting

Device Selection Guide

LED Part No.	Chip		Lens Color
	Material	Emitted Color	
ARL2-5053UBC-1.8cd	GaP	Blue	Water clear



NOTES

- All dimensions are in millimeters(inches).
- Protruded resin under flange is 1.5mm Max.

Absolute Maximum Rating (Ta=25°C)

Parameter	Symbol	Absolute Maximum Rating	Unit
Peak Forward Current	I_{FPM}	150	mA
Forward Current	I_{FM}	20	mA
Reverse Voltage	V_R	5	V
Operating Temperature	T_{opr}	-25 ~+85	°C
Storage Temperature	T_{stg}	-25 ~+85	°C
Soldering Heat (5s)	T_{sol}	260	°C

NOTE:TOLERANCE±0.2mm

Electro-Optical Characteristics (Ta=25 °C)

Parameter	Symbol	Min.	Typ.	Max.	Unit	Test Condition
Luminous Intensity	I_v	1200	1500	---	mcd	IF=20mA(Note1)
Viewing Angle	$2\theta_{1/2}$	---	160	---	Deg	(Note 2)
Peak Wavelength	λ_p	---	460	---	nm	IF=20mA
Spectral Line Half-Width	$\Delta\lambda$	---	470	---	nm	IF=20mA
Forward Voltage	V_F	3.0	3.2	---	V	IF=20mA
Reverse Current	I_R	<1	---	10	μA	VR=5V