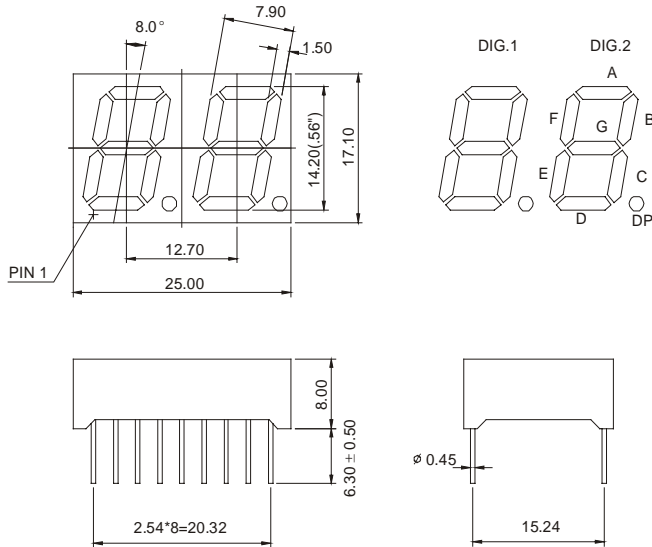
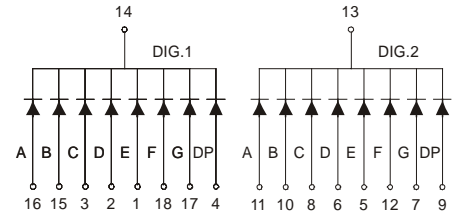


## GND-5624Ax-Bx (DUAL DIGIT LED DISPLAY)

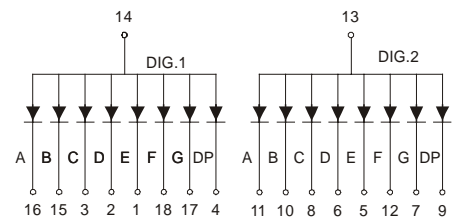
### GND-5624 Series



### GND-5624Ax



### GND-5624Bx



### Features:

\*0.56 INCH HIGH CHARACTER.

\*EXCELLENT CHARACTER APPEARANCE.

\*COMMON CATHODE OR COMMON ANODE.

\*I.C. COMPATIBLE.

\*LOW POWER CONSUMPTION.

Part Number	EMITTED COLOR		Common Cathode or Common Anode	Peak Wavelength (nm)	Vf (v) Typ	If (mA)	Intensity Per Segment (mcd)	
							Min.	Typ.
GND-5624AE	GaAsP/GaP	Hi.effi Red	Common Cathode	635	10-20	20	9	12
GND-5624AG	GaP	Green		565	10-20	20	8	11
GND-5624AY	GaAsP/GaP	Yellow		585	10-20	20	9	12
GND-5624AS	GaAlAs	Super Red		660	10-20	20	10	13
GND-5624AD	GaAlAs	Ultra Red		660	10-20	20	25	30
GND-5624AUE	AlGaInP	Ultra Red		625	10-20	20	30	35
GND-5624AUJ	AlGaInP	Ultra Yellow		590	10-20	20	30	35
GND-5624BE	GaAsP/GaP	Hi.effi Red	Common Anode	635	10-20	20	9	12
GND-5624BG	GaP	Green		565	10-20	20	8	11
GND-5624BY	GaAsP/GaP	Yellow		585	10-20	20	9	12
GND-5624BS	GaAlAs	Super Red		660	10-20	20	10	13
GND-5624BD	GaAlAs	Ultra Red		660	10-20	20	25	30
GND-5624BUE	AlGaInP	Ultra Red		625	10-20	20	30	35
GND-5624BUY	AlGaInP	Ultra Yellow		590	10-20	20	30	35