

PolySwitch Resettable Devices Line-Voltage-Rated Devices

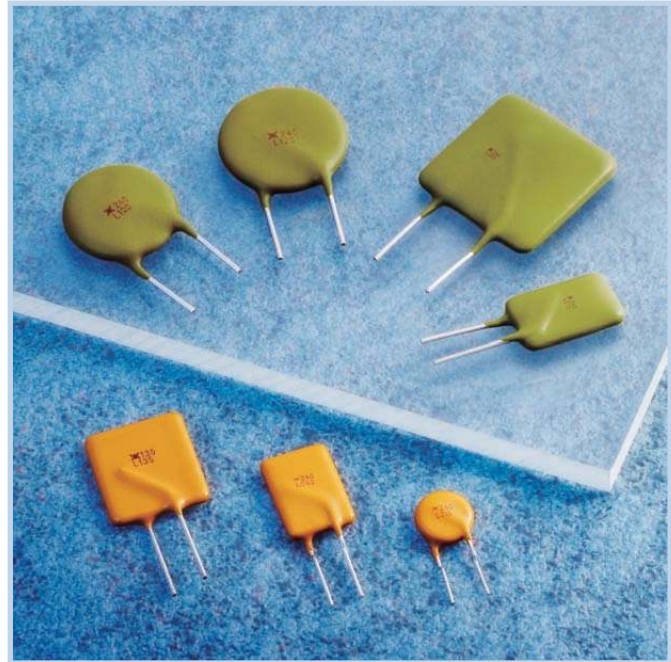
PolySwitch LVR devices help protect electric motors and transformers used in commercial and home appliances from damage caused by mechanical overloads, overheating, stall, lost neutral and other potentially harmful conditions.

The LVR line-voltage product line of polymeric positive temperature coefficient (PPTC) devices includes components that are rated for line voltages of 120V_{AC} and 240V_{AC}, for up to 2A of operating current at 20°C. They help protect against damage caused by both overcurrent surges and overtemperature faults, offer low resistance, and are compatibly sized with fuse solutions.

Unlike traditional fuses, PolySwitch devices do not require replacement after a fault event. After power has been removed and the overcurrent condition eliminated, the circuit is restored to normal operating condition. Compared to bimetal breakers, they offer greater flexibility, longer lifespan, and lower electromagnetic interference (EMI).

The PolySwitch LVR devices' resettable functionality and latching attributes make them a reliable, cost-effective circuit protection solution for both intermittent- and continuous-operation motor applications. Their low resistance, fast time-to-trip, and low profile help circuit designers provide a safe and dependable product, comply with regulatory agency requirements, and reduce warranty repair costs.

LVR/LVRL series are suitable for line-voltage applications up to a continuous operating voltage of 240V_{AC}/120V_{AC}. RoHS versions of all products are available.



Benefits

- Many product choices give engineers more design flexibility
- Compatible with high-volume electronics assembly
- Assist in meeting regulatory requirements
- Higher voltage ratings allow use in new applications

Features

- RoHS compliant
- Broadest range of radial-leaded resettable devices available in the industry
- Current ratings from 50mA to 2A
- Line voltage rating of 120V_{AC} and 240V_{AC}
- Agency recognition : UL, CSA, TÜV
- Fast time-to-trip
- Low resistance

Applications

- | | | |
|-------------------------|-----------------------------|-----------------------------------|
| • Electromagnetic loads | • Medical equipment | • Security and fire alarm systems |
| • Game machines | • Motors, fans and blowers | • Test and measurement equipment |
| • Industrial controls | • POS equipment | • Transformers |
| • Lighting ballast | • Satellite video receivers | • USB hubs, ports and peripherals |
| • Loudspeakers | | |

Table L1 Product Series - Current Rating, Voltage Rating / Typical Resistance for LVR Devices

Voltage Rating Hold Current (A)	LVR	LVRL
	240V _{AC} / 120V _{AC}	120V _{AC}
0.050	25.00Ω	—
0.080	9.800Ω	—
0.120	4.800Ω	—
0.160	3.400Ω	—
0.250	1.700Ω	—
0.330	1.000Ω	—
0.400	0.800Ω	—
0.550	0.590Ω	—
0.750	0.400Ω	0.325Ω
1.000	0.276Ω	0.224Ω
1.250	0.209Ω	0.148Ω
1.350	—	0.138Ω
2.000	0.110Ω	0.097Ω

Table L2 Thermal Derating for LVR Devices [Hold Current (A) at Ambient Temperature (°C)]

Part Number	Maximum Ambient Temperature								
	-20°C	0°C	20°C	25°C	40°C	50°C	60°C	70°C	85°C
LVR/LVRL									
LVR005N	0.08	0.06	0.05	0.05	0.04	0.04	0.03	0.03	0.02
LVR008N	0.12	0.10	0.08	0.08	0.07	0.06	0.05	0.04	0.03
LVR012	0.18	0.15	0.12	0.12	0.10	0.09	0.07	0.06	0.04
LVR016	0.24	0.20	0.16	0.16	0.13	0.11	0.10	0.08	0.05
LVR025	0.38	0.32	0.25	0.25	0.21	0.18	0.15	0.13	0.09
LVR033	0.50	0.42	0.33	0.33	0.27	0.23	0.20	0.17	0.11
LVR040	0.61	0.51	0.40	0.40	0.33	0.28	0.24	0.20	0.14
LVR055	0.80	0.68	0.55	0.54	0.46	0.40	0.35	0.29	0.22
LVR075	1.23	0.98	0.75	0.74	0.60	0.56	0.49	0.45	0.41
LVR100	1.65	1.30	1.00	0.94	0.80	0.75	0.65	0.60	0.55
LVR125	2.06	1.63	1.25	1.20	1.00	0.94	0.81	0.75	0.69
LVR200	3.30	2.60	2.00	1.97	1.60	1.50	1.30	1.20	1.10
LVRL075	1.08	0.93	0.75	0.74	0.64	0.57	0.51	0.44	0.35
LVRL100	1.40	1.19	1.00	0.94	0.82	0.73	0.65	0.57	0.45
LVRL125	1.80	1.53	1.25	1.20	1.04	0.94	0.83	0.73	0.60
LVRL135	2.00	1.65	1.35	1.29	1.12	1.01	0.90	0.78	0.65
LVRL200	3.05	2.55	2.00	1.97	1.72	1.55	1.39	1.22	0.98

Figure L1 Thermal Derating Curve for LVR Devices

- A = LVR075-LVR200
- B = LVRL075-LVRL200
- C = LVR005N-LVR055

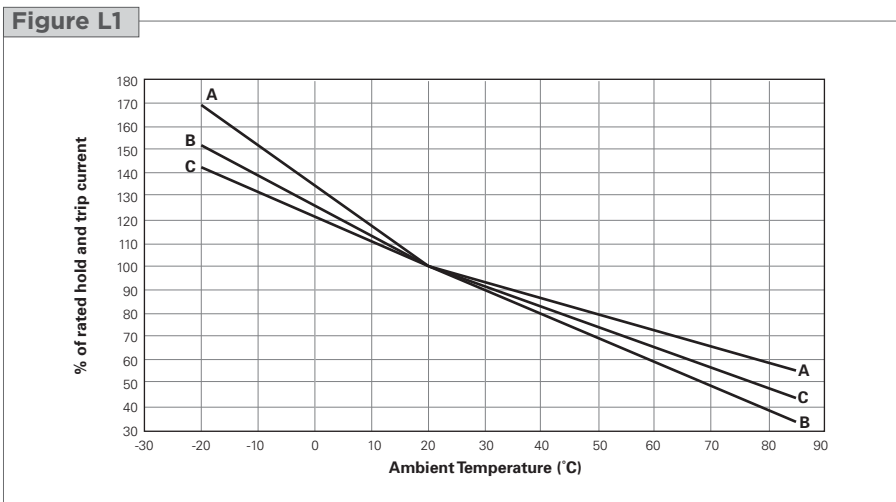


Table L3 Electrical Characteristics for LVR Devices*

Part Number	I _H (A)	I _T (A)	V _{MAX} [†]		I _{MAX} [†] Interrupt (A)	P _D TYP (W)	Max. Time-to-trip		R _{MIN} (Ω)	R _{MAX} (Ω)	R _{1MAX} (Ω)	Lead Size [mm (AWG)]
			Operating (V _{AC})	Interrupt (V _{AC})			(A)	(s)				
LVR/LVRL												
LVR005NK	0.05	0.12	240 120	265 135	1.0 20.0	0.9	0.25	10.0	18.500	31.000	65.000	[0.51mm(24)]
LVR005NS	0.05	0.12	240 120	265 135	1.0 20.0	0.9	0.25	10.0	18.500	31.000	65.000	[0.51mm(24)]
LVR008NK	0.08	0.19	240 120	265 135	1.2 20.0	0.9	0.40	10.0	7.400	12.000	26.000	[0.51mm(24)]
LVR008NS	0.08	0.19	240 120	265 135	1.2 20.0	0.9	0.40	10.0	7.400	12.000	26.000	[0.51mm(24)]
LVR012K	0.12	0.30	240 120	265 135	1.2 20.0	1.0	0.60	15.0	3.000	6.500	12.000	[0.51mm(24)]
LVR012S	0.12	0.30	240 120	265 135	1.2 20.0	1.0	0.60	15.0	3.000	6.500	12.000	[0.51mm(24)]
LVR016K	0.16	0.37	240 120	265 135	2.0 20.0	1.4	0.80	15.0	2.500	4.100	7.800	[0.51mm(24)]
LVR016S	0.16	0.37	240 120	265 135	2.0 20.0	1.4	0.80	15.0	2.500	4.100	7.800	[0.51mm(24)]
LVR025K	0.25	0.56	240 120	265 135	3.5 20.0	1.5	1.25	18.5	1.300	2.100	3.800	[0.64mm(22)]
LVR025S	0.25	0.56	240 120	265 135	3.5 20.0	1.5	1.25	18.5	1.300	2.100	3.800	[0.64mm(22)]
LVR033K	0.33	0.74	240 120	265 135	4.5 20.0	1.7	1.65	21.0	0.770	1.240	2.600	[0.64mm(22)]
LVR033S	0.33	0.74	240 120	265 135	4.5 20.0	1.7	1.65	21.0	0.770	1.240	2.600	[0.64mm(22)]
LVR040K	0.40	0.90	240 120	265 135	5.5 20.0	2.0	2.00	24.0	0.600	0.970	1.900	[0.64mm(22)]
LVR040S	0.40	0.90	240 120	265 135	5.5 20.0	2.0	2.00	24.0	0.600	0.970	1.900	[0.64mm(22)]
LVR055K	0.55	1.25	240 120	265 135	7.0 20.0	3.4	2.75	26.0	0.450	0.730	1.450	[0.81mm(20)]
LVR055S	0.55	1.25	240 120	265 135	7.0 20.0	3.4	2.75	26.0	0.450	0.730	1.450	[0.81mm(20)]
LVR075S	0.75	1.50	240	265	7.5	2.6	3.75	18.0	0.316	0.483	0.839	[0.81mm(20)]
LVR100S	1.00	2.00	240	265	10.0	2.9	5.00	21.0	0.218	0.334	0.580	[0.81mm(20)]
LVR125S	1.25	2.50	240	265	12.5	3.3	6.25	23.0	0.165	0.253	0.440	[0.81mm(20)]
LVR200S	2.00	4.00	240	265	20.0	4.5	10.00	28.0	0.089	0.131	0.221	[0.81mm(20)]
LVRL075S	0.75	1.52	120	135	7.5	1.8	3.75	14.0	0.250	0.400	0.690	[0.81mm(20)]
LVRL100S	1.00	2.00	120	135	10.0	2.2	5.00	13.6	0.179	0.269	0.470	[0.81mm(20)]
LVRL125S	1.25	2.50	120	135	12.5	2.0	6.25	18.0	0.117	0.179	0.320	[0.81mm(20)]
LVRL135S	1.35	2.70	120	135	13.5	2.8	6.75	20.0	0.109	0.167	0.300	[0.81mm(20)]
LVRL200S	2.00	4.20	120	135	20.0	3.9	10.00	36.0	0.075	0.117	0.205	[0.81mm(20)]

Notes:

- I_H : Hold current: maximum current device will pass without interruption in 20°C still air.
- I_T : Trip current: minimum current that will switch the device from low resistance to high resistance in 20°C still air.
- V_{MAX} Operating: Maximum continuous voltage device can withstand without damage at rated current.
- V_{MAX} Interrupt : Under specified conditions this is the highest voltage that can be applied to the device at the maximum interrupt current.
- I_{MAX} Interrupt : Maximum fault current device can withstand without damage at rated voltage.
- P_D : Power dissipated from device when in the tripped state in 20°C still air.
- R_{MIN} : Minimum resistance of device as supplied at 20°C unless otherwise specified.
- R_{MAX} : Maximum resistance of device as supplied at 20°C unless otherwise specified.
- R_{1MAX} : Maximum resistance of device when measured one hour post trip at 20°C unless otherwise specified.

* Electrical characteristics determined at 20°C.

† See Application Limitations on next page.

Warning : Application Limitations for the LVR Product Line

- 1) Users should independently evaluate the suitability of and test each product selected for their own application.
- 2) This product should not be used in an application where the maximum interrupt voltage or maximum interrupt current can be exceeded in a fault condition. Operation beyond the maximum ratings or improper use may result in device damage and possible electrical arcing and flame.
- 3) A PPTC device is not a fuse - it is a nonlinear thermistor that limits current. Under a fault condition all PPTC devices go into a high resistance state but do not open circuit, so hazardous voltage may be present at PPTC locations.
- 4) The devices are intended for protection against damage caused by occasional overcurrent or overtemperature fault conditions and should not be used when repeated fault conditions or prolonged trip events are anticipated.
- 5) In most applications power must be removed and the fault condition cleared in order to reset a PPTC device; however under certain unusual conditions, a PPTC device may automatically reset. PPTC devices should not be used in an application where an automatic reset could create a safety hazard, such as garbage disposals and blenders. Appropriate qualification testing should be performed.
- 6) It is the responsibility of the user to determine the need for back up or failsafe protection to prevent damage that may occur in the event of abnormal function or failure of the PPTC device.
- 7) Operation in circuits with a large inductance can generate a circuit voltage (Ldi/dt) above the rated voltage of a PPTC device. This product should not be used in an application where the maximum interrupt voltage or maximum interrupt current can be exceeded by inductive spikes.
- 8) Devices are not recommended for reflow soldering.
- 9) Device performance can be impacted negatively if devices are handled in a manner inconsistent with recommended electronic, thermal, or mechanical procedures for electronic components.
- 10) PPTC devices are not recommended for installation in applications where the device is constrained such that its PTC properties are inhibited, for example in rigid potting materials or in rigid housings, which lack adequate clearance to accommodate device expansion.
- 11) Contamination of the PPTC material with certain silicone-based oils or some aggressive solvents can adversely impact the performance of the devices.

Figure L2-L5 Dimension Figures for LVR Devices

Figure L2

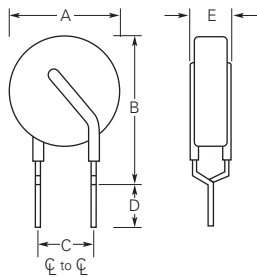


Figure L3

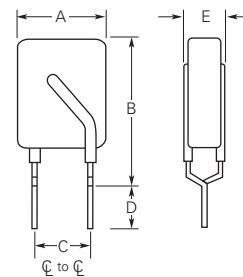


Figure L4

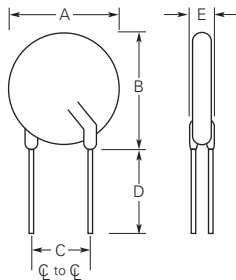


Figure L5

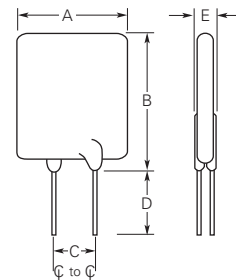


Table L4 Dimensions for LVR Devices in Millimeters (Inches)

Part Number	A		B		C		D		E		Figure
	Min.	Max.	Min.	Max.	Min.	Max.	Min.	Max.	Min.	Max.	
LVR/LVRL											
LVR005NK	—	6.9 (0.27)	—	12.1 (0.48)	4.3 (0.17)	5.8 (0.23)	7.6 (0.30)	—	—	4.6 (0.18)	L2
LVR005NS	—	6.9 (0.27)	—	9.9 (0.39)	4.3 (0.17)	5.8 (0.23)	7.6 (0.30)	—	—	4.6 (0.18)	L4
LVR008NK	—	7.2 (0.28)	—	12.4 (0.49)	4.3 (0.17)	5.8 (0.23)	7.6 (0.30)	—	—	4.6 (0.18)	L2
LVR008NS	—	7.2 (0.28)	—	10.2 (0.40)	4.3 (0.17)	5.8 (0.23)	7.6 (0.30)	—	—	4.6 (0.18)	L4
LVR012K	—	8.3 (0.33)	—	12.9 (0.51)	4.3 (0.17)	5.8 (0.23)	7.6 (0.30)	—	—	3.8 (0.15)	L2
LVR012S	—	8.3 (0.33)	—	10.7 (0.43)	4.3 (0.17)	5.8 (0.23)	7.6 (0.30)	—	—	3.8 (0.15)	L4
LVR016K	—	9.9 (0.39)	—	13.8 (0.54)	4.3 (0.17)	5.8 (0.23)	7.6 (0.30)	—	—	3.8 (0.15)	L2
LVR016S	—	9.9 (0.39)	—	12.5 (0.50)	4.3 (0.17)	5.8 (0.23)	7.6 (0.30)	—	—	3.8 (0.15)	L4
LVR025K	—	9.6 (0.38)	—	18.8 (0.74)	4.3 (0.17)	5.8 (0.23)	7.6 (0.30)	—	—	3.8 (0.15)	L3
LVR025S	—	9.6 (0.38)	—	17.4 (0.69)	4.3 (0.17)	5.8 (0.23)	7.6 (0.30)	—	—	3.8 (0.15)	L5
LVR033K	—	11.4 (0.45)	—	19.0 (0.75)	4.3 (0.17)	5.8 (0.23)	7.6 (0.30)	—	—	3.8 (0.15)	L3
LVR033S	—	11.4 (0.45)	—	16.5 (0.65)	4.3 (0.17)	5.8 (0.23)	7.6 (0.30)	—	—	3.8 (0.15)	L5
LVR040K	—	11.5 (0.46)	—	20.9 (0.82)	4.3 (0.17)	5.8 (0.23)	7.6 (0.30)	—	—	3.8 (0.15)	L3
LVR040S	—	11.5 (0.46)	—	19.5 (0.77)	4.3 (0.17)	5.8 (0.23)	7.6 (0.30)	—	—	3.8 (0.15)	L5
LVR055K	—	14.0 (0.55)	—	22.4 (0.88)	4.3 (0.17)	5.8 (0.23)	7.6 (0.30)	—	—	4.1 (0.16)	L3
LVR055S	—	14.0 (0.55)	—	21.7 (0.85)	4.3 (0.17)	5.8 (0.23)	7.6 (0.30)	—	—	4.1 (0.16)	L5
LVR075S	—	11.5 (0.45)	—	23.4 (0.92)	4.1 (0.16)	6.1 (0.24)	5.1 (0.20)	—	—	4.8 (0.19)	L5
LVR100S	—	18.7 (0.74)	—	24.4 (0.96)	8.9 (0.35)	11.4 (0.45)	5.1 (0.20)	—	—	5.1 (0.20)	L4
LVR125S	—	21.2 (0.84)	—	27.4 (1.08)	8.9 (0.35)	11.4 (0.45)	5.1 (0.20)	—	—	5.3 (0.21)	L4
LVR200S	—	24.9 (0.98)	—	33.8 (1.33)	8.9 (0.35)	11.4 (0.45)	5.1 (0.20)	—	—	6.1 (0.24)	L5
LVRL075S	—	10.9 (0.43)	—	17.0 (0.67)	4.3 (0.17)	5.8 (0.23)	7.6 (0.30)	—	—	4.1 (0.16)	L5
LVRL100S	—	11.5 (0.45)	—	20.1 (0.79)	4.3 (0.17)	5.8 (0.23)	7.6 (0.30)	—	—	4.1 (0.16)	L5
LVRL125S	—	14.0 (0.55)	—	21.7 (0.85)	4.3 (0.17)	5.8 (0.23)	7.6 (0.30)	—	—	4.1 (0.16)	L5
LVRL135S	—	16.3 (0.64)	—	21.7 (0.85)	4.3 (0.17)	5.8 (0.23)	7.6 (0.30)	—	—	4.1 (0.16)	L5
LVRL200S	—	23.5 (0.93)	—	31.8 (1.25)	9.4 (0.37)	10.9 (0.43)	7.6 (0.30)	—	—	4.1 (0.16)	L5

Figure L6 Typical Time-to-trip curves at 20°C for LVR Devices

LVR/LVRL

- A = LVR005N K = LVRL100
- B = LVR008N L = LVR100
- C = LVR012 M = LVRL125
- D = LVR016 N = LVR125
- E = LVR025 O = LVRL135
- F = LVR033 P = LVRL200
- G = LVR040 Q = LVR200
- H = LVR055
- I = LVRL075
- J = LVR075

Figure L6

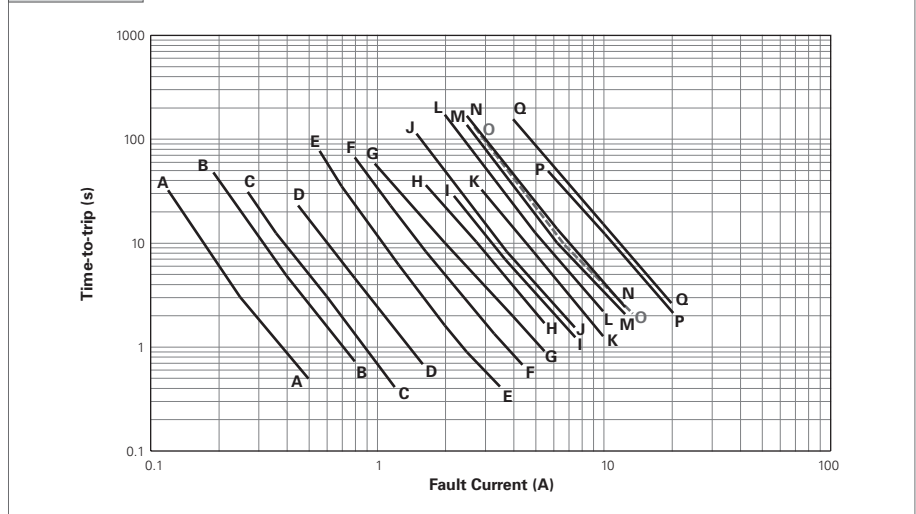


Table L5 Physical Characteristics and Environmental Specifications for LVR Devices

LVR/LVRL

Physical Characteristics

Lead material	LVR005N-016 : Tin-plated copper, (24AWG), ø0.51mm (0.020in.)
	LVR025-040 : Tin-plated copper, (22AWG), ø0.64mm (0.025in.)
	LVR055-200 : Tin-plated copper, (20AWG), ø0.81mm (0.032in.)
	LVRL : Tin-plated copper, (20AWG), ø0.81mm (0.032in.)
Soldering characteristics	Solderability per ANSI/J-STD-002 Category 3
Solder heat withstand	Per IEC-STD 68-2-20, Test Tb, Method 1A, Condition B, can withstand 10 seconds at 260°C ±5°C
Insulating material	LVR005N-055 : Cured, flame-retardant epoxy polymer, meets UL 94V-0
	LVR075-200 : Cured, flame-retardant modified silicone, meets UL 94V-0
	LVRL : Cured, flame-retardant epoxy polymer, meets UL 94V-0

Note: Devices are not designed to be placed through a reflow process.

Environmental Specifications

Test	Conditions	Resistance Change
Passive aging	70°C, 1000 hours	±10%
	85°C, 1000 hours	±10%
Humidity aging	85°C, 85%RH, 1000 hours	±20%
Thermal shock	85°C, -40°C (10 times)	±15%
Solvent resistance	MIL-STD-202, Method 215F	No change

Agency Recognitions for LVR Devices

UL	File # E74889
CSA	File # CA78165
TÜV	Certificate number available on request (per IEC 60730-1).

Table L6 Packaging and Marking Information for LVR Devices

Part Number	Bag Quantity	Tape & Reel Quantity	Ammo Pack Quantity	Standard Package Quantity	Part Marking	Agency Recognition
LVR/LVRL						
LVR005NK	500	—	—	10,000	L005	UL, CSA, TÜV
LVR005NK-2	—	1,500	—	7,500	L005	UL, CSA, TÜV
LVR005NS	500	—	—	10,000	L005	UL, CSA, TÜV
LVR005NS-2	—	1,500	—	7,500	L005	UL, CSA, TÜV
LVR008NK	500	—	—	10,000	L008	UL, CSA, TÜV
LVR008NK-2	—	1,500	—	7,500	L008	UL, CSA, TÜV
LVR008NS	500	—	—	10,000	L008	UL, CSA, TÜV
LVR008NS-2	—	1,500	—	7,500	L008	UL, CSA, TÜV
LVR012K	500	—	—	10,000	L012	UL, CSA, TÜV
LVR012K-2	—	2,000	—	10,000	L012	UL, CSA, TÜV
LVR012S	500	—	—	10,000	L012	UL, CSA, TÜV
LVR012S-2	—	2,000	—	10,000	L012	UL, CSA, TÜV
LVR016K	500	—	—	10,000	L016	UL, CSA, TÜV
LVR016K-2	—	2,000	—	10,000	L016	UL, CSA, TÜV
LVR016S	500	—	—	10,000	L016	UL, CSA, TÜV
LVR016S-2	—	2,000	—	10,000	L016	UL, CSA, TÜV
LVR025K	500	—	—	10,000	L025	UL, CSA, TÜV
LVR025K-2	—	2,000	—	10,000	L025	UL, CSA, TÜV
LVR025S	500	—	—	10,000	L025	UL, CSA, TÜV
LVR025S-2	—	2,000	—	10,000	L025	UL, CSA, TÜV
LVR033K	500	—	—	10,000	L033	UL, CSA, TÜV
LVR033K-2	—	2,000	—	10,000	L033	UL, CSA, TÜV
LVR033S	500	—	—	10,000	L033	UL, CSA, TÜV
LVR033S-2	—	2,000	—	10,000	L033	UL, CSA, TÜV
LVR040K	500	—	—	10,000	L040	UL, CSA, TÜV
LVR040K-2	—	2,000	—	10,000	L040	UL, CSA, TÜV
LVR040S	500	—	—	10,000	L040	UL, CSA, TÜV
LVR040S-2	—	2,000	—	10,000	L040	UL, CSA, TÜV
LVR055K	500	—	—	10,000	L055	UL, CSA, TÜV
LVR055S	500	—	—	10,000	L055	UL, CSA, TÜV
LVR055S-2	—	1,000	—	5,000	L055	UL, CSA, TÜV
LVR075S	500	—	—	10,000	L075	UL, CSA, TÜV
LVR100S	250	—	—	5,000	L100	UL, CSA, TÜV
LVR125S	250	—	—	5,000	L125	UL, CSA, TÜV
LVR200S	250	—	—	5,000	L200	UL, CSA, TÜV
LVRL075S	500	—	—	10,000	L075	UL, CSA, TÜV
LVRL100S	500	—	—	10,000	L100	UL, CSA, TÜV
LVRL125S	500	—	—	10,000	L125	UL, CSA, TÜV
LVRL135S	500	—	—	10,000	L135	UL, CSA, TÜV
LVRL200S	250	—	—	5,000	L200	UL, CSA, TÜV

Table L7 Tape and Reel Specifications for LVR Devices

LVR devices are available in tape and reel packaging per EIA468-B/IEC60286-2 standards.
See Figures L7 and L8 for details.

Description	EIA Mark	Dimension (mm)	Tolerance
Carrier tape width	W	18	-0.5/+1.0
Hold-down tape width	W ₄	11	Minimum
Top distance between tape edges	W ₆	3	Maximum
Sprocket hole position	W ₅	9	-0.5/+0.75
Sprocket hole diameter	D ₀	4	± 0.2
Abscissa to plane (straight lead) (LVR005N to LVR016)	H	18.5	± 2.5
Abscissa to plane (kinked lead) (LVR005N to LVR016)	H ₀	16.0	± 0.5
Abscissa to top (LVR005N to LVR016)	H ₁	32.2	Maximum
Abscissa to top* (LVR025 to LVR055)	H ₁	45.0	Maximum
Overall width with lead protrusion (LVR005N to LVR016)	C ₁	43.2	Maximum
Overall width with lead protrusion (LVR025 to LVR055)	C ₁	56.0	Maximum
Overall width without lead protrusion (LVR005N to LVR016)	C ₂	42.5	Maximum
Overall width without lead protrusion (LVR025 to LVR055)	C ₂	56.0	Maximum
Lead protrusion	L ₁	1.0	Maximum
Protrusion of cut-out	L	11.0	Maximum
Protrusion beyond hold-down tape	I ₂	Not specified	—
Sprocket hole pitch	P ₀	12.7	± 0.3
Device pitch (LVR005N to LVR040)	—	12.7	± 0.3
Device pitch (LVR055)	—	25.4	± 0.6
Pitch tolerance	—	20 consecutive	± 1
Tape thickness	t	0.9	Maximum
Overall tape and lead thickness (LVR005N to LVR040)	t ₁	1.5	Maximum
Overall tape and lead thickness (LVR055)	t ₁	2.3	Maximum
Splice sprocket hole alignment	—	0	± 0.3
Body lateral deviation	Δh	0	± 1.0
Body tape plane deviation	Δp	0	± 1.3
Ordinate to adjacent component lead	P ₁	3.81	± 0.7
Lead spacing*	F	5.08	+0.75/-0.5
Reel width (LVR005N to LVR040)	w ₂	56.0	Maximum
Reel width* (LVR055)	w ₂	63.5	Maximum
Reel diameter	a	370.0	Maximum
Space between flanges* (LVR005N to LVR040)	w ₁	48.0	Maximum
Space between flanges* (LVR055)	w ₁	55.0	Maximum
Arbor hold diameter	c	26.0	± 12.0
Core diameter*	n	91.0	Maximum
Box	—	64/372/362	Maximum
Consecutive missing places	—	None	—
Empty places per reel	—	0.1%	Maximum

*Differs from EIA specification.

Figure L7 EIA Referenced Taped Component Dimensions for LVR Devices

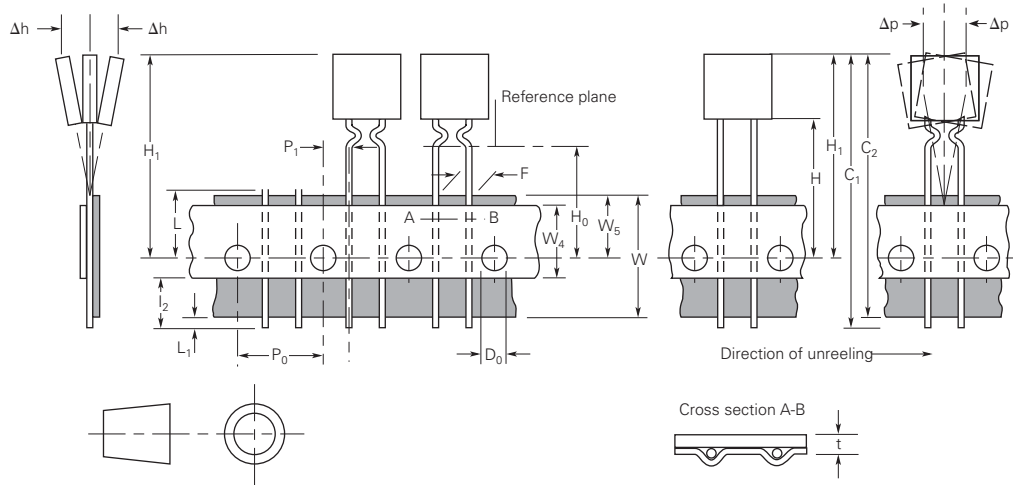
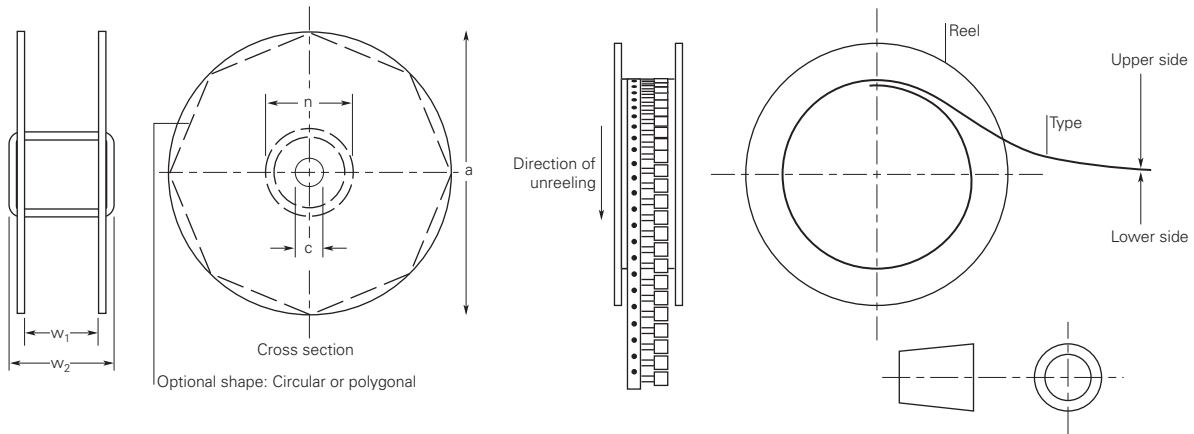
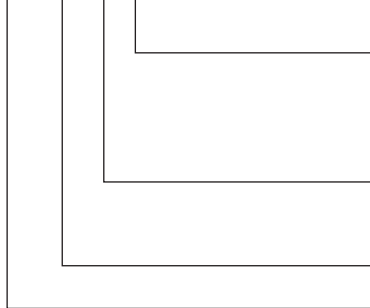


Figure L8 EIA Referenced Reel Dimensions for LVR Devices



Part Numbering System for LVR Devices

LVR 075 S 2



- Packaging**
 - Blank = Packaged in bags
 - 1 = 25.4mm (1.0 inch) minimum lead length
 - 2 = Tape and reel
 - X.X = Special lead cut length (inch)
- Modifier**
 - K = Standard kinked lead
 - S = Straight lead
- Hold Current Indicator**
- Product Series**
 - LVR = 240V rated
 - LVRL = 120V rated

