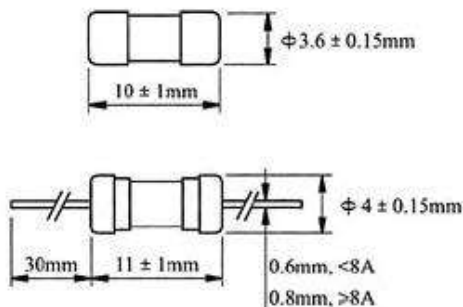


Предохранитель керамический размером 3,6x10 мм №12790S FBCTF1014



Type: FBCTF(1013,1014)
 Product Name: RT1-10(RT2-10) 3.6x10, Ceramic Tube Fuse(Time-delay)
 Description: INTERRUPTING RATING:
 50 amperes at 125V AC (100mA-15A)
 50 amperes at 250V AC (100mA-15A)
 UL/CSA/T-MARK



ELECTRICAL CHARACTERISTICS:

RATING	BLOWING TIME
100%	4 hours Min
200%	1-60 sec (1-60秒)

I-T CHARACTERISTICS CURVE

