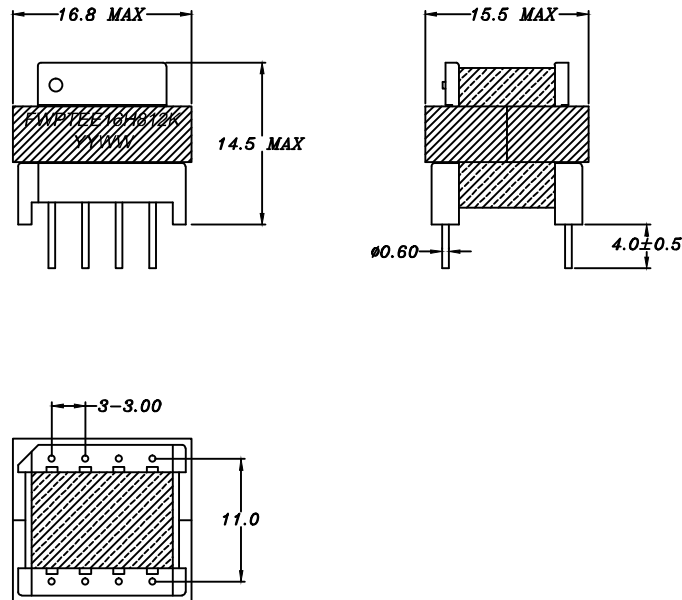


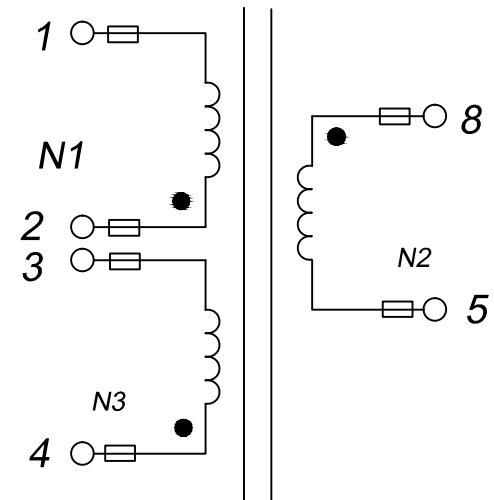
CUSTOMER TERMINAL	ROHS	Lead (Pb) -free
	YES	YES



1. Mechanical Dimensions



2. Schematic Diagram



3. Material List

Core:FW40-EE16/7/5
 Bobbin:FWB1607 (4+4PIN)
 Wire:2UEW-B-0.23/0.25mm 130°C
 Operating Temperature: -30 to 115°C

4. Electrical Specification

Inductance: $L(2-1) = 8.1mH \pm 12\% 1.0KHZ 1.0V$
 HI-POT: P-S AC3000V5mA3seconds
 P、S-CORE AC500V5mA3seconds

REV.	DATE	 Convention Placement	DRW.	Drawing Title: TRANSFORMER Customer P/N:	Part No:
0	00/00		CHK.		FWPTEE16H812K
RoHS		www.ferriwo.com	APP.		Specification Sheet 1 of 1