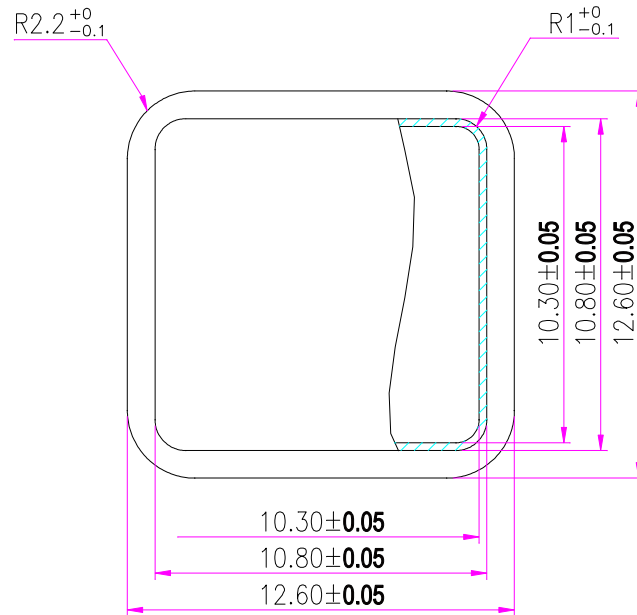


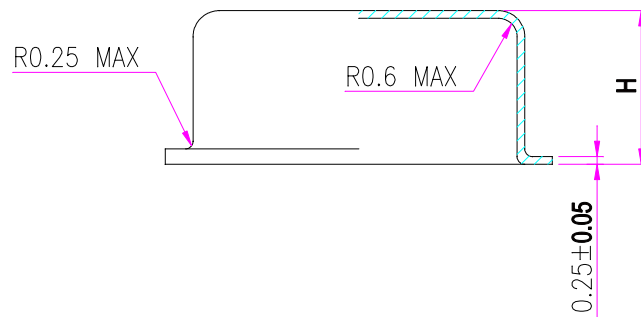
ITEM	DESCRIPTION	MATERIAL	Q'TY	SIZE	PART DRAWN NO	WT(Kg)
01	CAN	SUS304				



H" DIMENSION

A	3.00 ±0.1
B	4.30 ±0.1
C	4.50 ±0.1
D	5.00 ±0.1

NOTES



Designed by	Checked by	Approved	Reference	Date 2003.8.19	Scale N/S	Sheet
			Project Title HALF SIZE OSCILLATOR COVER			
			Drawing No. GEC-A07-01			
©						
ⓑ						
Ⓐ						
Mark	Revision	Date	Drawn	Check	Appr	Note