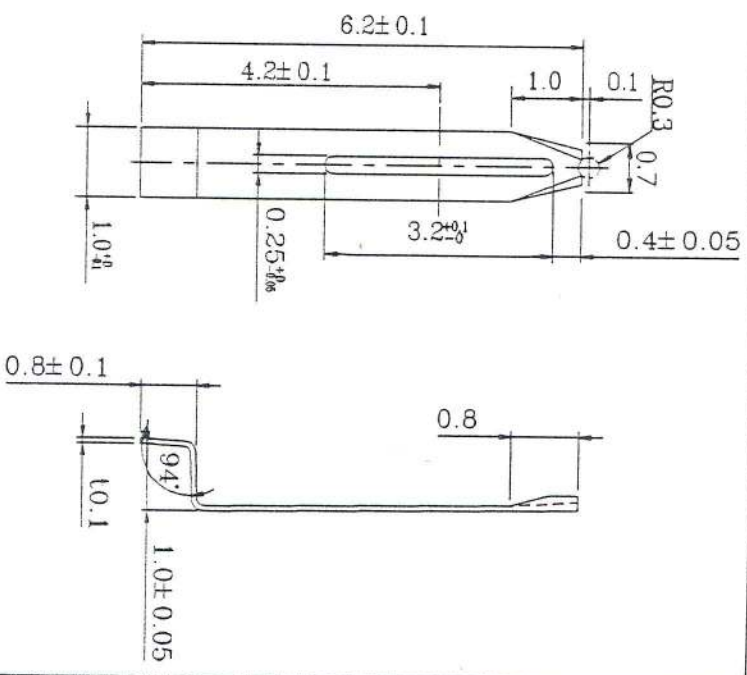


L DIMENSION	
A	13.2mm
B	16mm
C	20mm

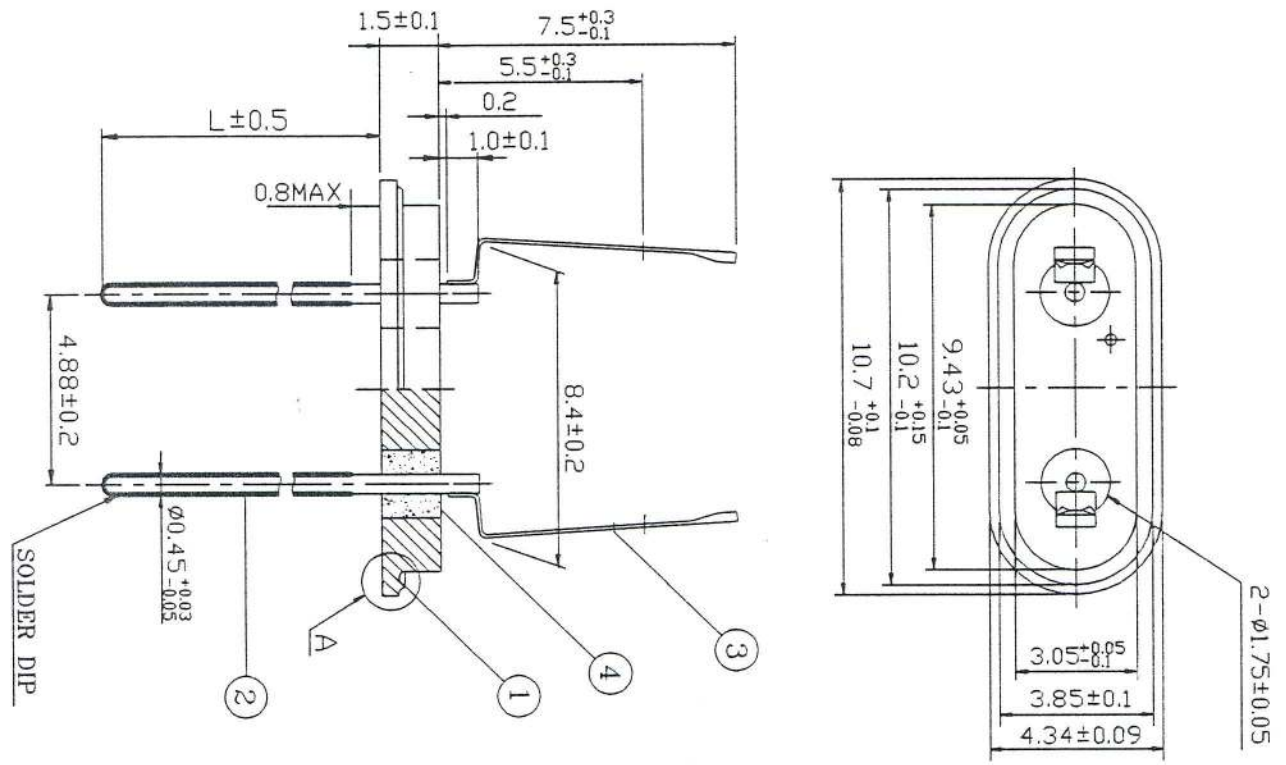
MARK	DATE	REVISION	CHECK
△B			
△C			
△D			



NO	DESCRIPTION	MAT'L	Q'TY	REMARK
1	B A S E	SPCC	1	
2	W I R E	KOVAR	3	
3	P I N	NSS	2	
4	G L A S S	G L A S S	2	

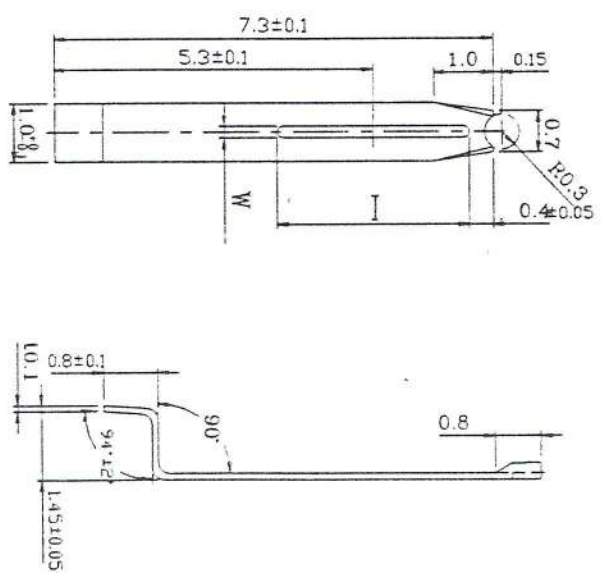
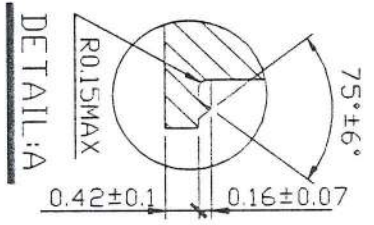
DATE	96.9.21	SCALE	/ NS	NAME	49/U HOLDER ∅8.0
DESIGN		CHECK		DWG. NO	KBD-AH-GE801 A
		APPR			

경보정밀주식회사
 DWG. NO KBD-AH-GE801 A



L	DIMENSION
A	13.2mm
B	16mm
C	20mm

I	W
3.2 ^{+0.1} ₀	0.25 ^{+0.1} ₀
3.3±0.05	0.4±0.05



MARK	DATE	REVISION	CHECK
△B			
△C			
△D			

NO	DESCRIPTION	UNIT	SCALE	DATE
1	B A S E			96.9.21
2	W I R E			
3	P I N			
4	G L A S S			

DESIGN	CHECK	APPR	DATE	SCALE	UNIT	NAME	DWG. NO
			96.9.21		mm	49/U HOLDER Ø8.7	KBD-AH-GE871 A

경보정밀주식회사