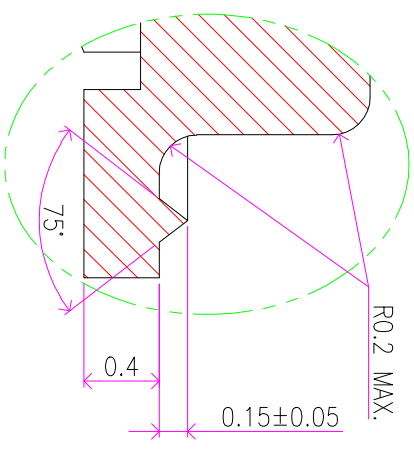
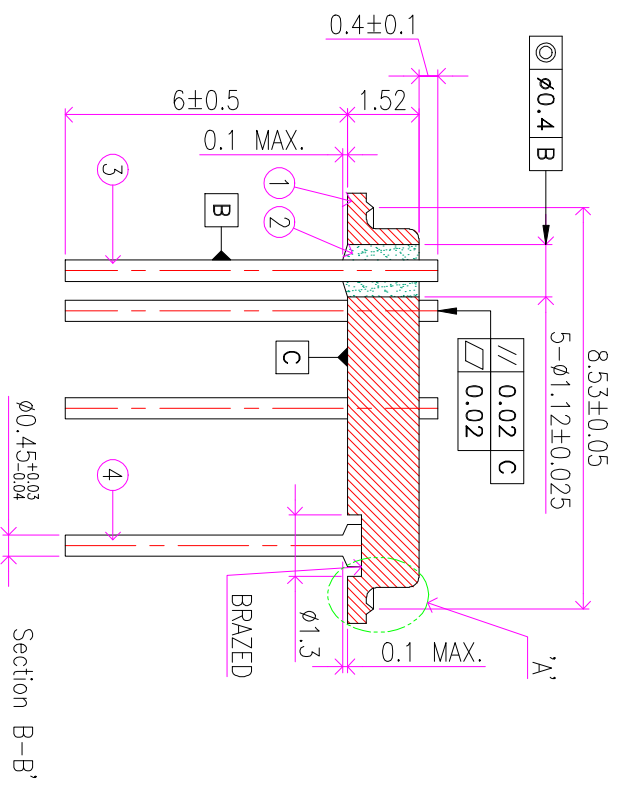
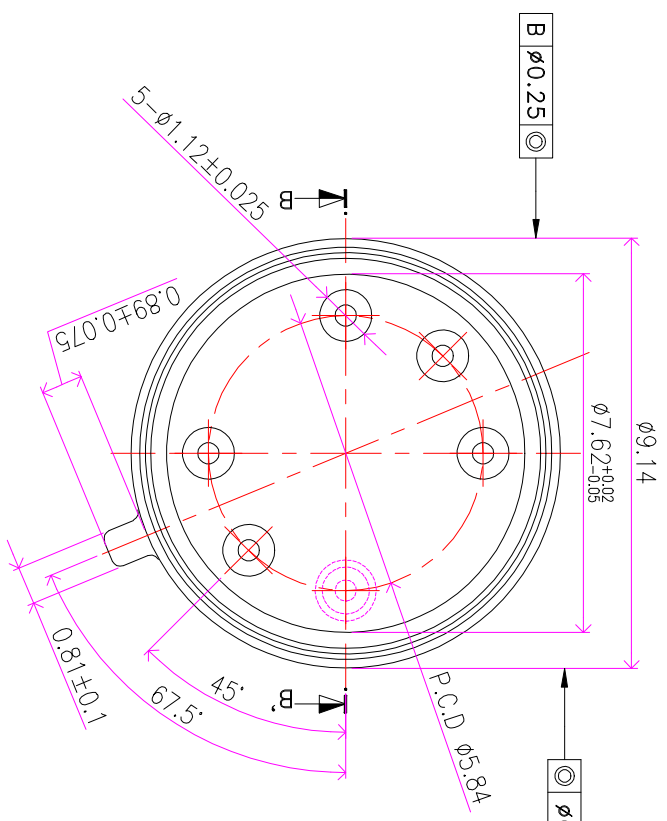


ITEM	DESCRIPTION	MATERIAL	QTY	SIZE	PART DRAWN NO	WT(Kg)
1	HEADER	SPCC	1	-	JD-WH-085	-
2	GLASS	HARD	3	-	JD-MG-055	-
3	LEAD	KOVAR(P-L)	3	-	JD-ML-094	-
4	GND LEAD	KOVAR	1	-	JD-ML-095	-
5	BRAZED	Bag-8	1	-	JD-MG-007-3	-



Detail of 'A'
<Scale 4:1>



- NOTE**
1. Leak test after high temp. test : 500°C 1Min. ≤1X10-8 atm. cc/sec;
 2. Leak Test : ≤1X10-8 atm. cc/sec;
 3. Resistance insulation test : 100V 1000*10MΩ.
 4. Ni-ELP 3~5µm + Au PLATING 0.03µm MIN.

Designed by	Checked by	Approved	Reference	Date	Scale	Sheet
	JD-B-114Au			2015.07	-	
			Project Title	T0-39 (5+1P)-152T OUTER 6.0mm		
			Drawing No.	GEC-T039-114		

Mark	Revision	Date	Drawn	Check	Appr	Note
Ⓒ						
Ⓑ						
Ⓐ						