












Products	Part No.	System	Input/Output (Impedance*)	Package	Terminal	Appearance		
SAW Duplexers	EFSD836MC4□□	CDMA/AMPS	UB-UB(50Ω-50Ω)	C	12			
	EFSD836MC5□□			KA	12			
	EFSD836MD1□□							
	EFSD836MD2□□							
	EFSD836ME1□□							
	EFSD836ME2□□							
	EFSD906MC1□□	J-CDMA	UB-UB(50Ω-50Ω)	C	12			
	EFSD906MC2□□			KA	12			
	EFSD906MD1□□							
	EFSD906MD2□□							
	EFSD1765D1□□	KPCS	UB-UB(50Ω-50Ω)	KD	12			
	EFSD1765D2□□							
SAW Filters (RF-Stage)	EFCH881MTCA1	CDMA800/GSM850 RX	UB-B(50Ω-150Ω)	CA	5			
	EFCH881MTCC1			CC	6			
	EFCH836MTCC1	CDMA800/GSM850 TX	B-UB(100Ω-50Ω)	CC	6			
	EFCH851MTCA6	J-CDMA RX	UB-B(50Ω-100Ω)	CA	5			
	EFCH906MTCB6	J-CDMA TX	UB-UB(50Ω-50Ω)	CB	4			
	EFCH942MTCA7	EGSM900 RX	UB-B(50Ω-150Ω)	CA	5			
	EFCH942MTCC1			CC	6			
	EFCH942MTCB1			CB	4			
	EFCH942MTCD1			CD	5			
	EFCH897MTCC1	EGSM900 TX	B-UB(100Ω-50Ω)	CC	6			
	EFCH1842TCA7	DCS1800 RX	UB-B(50Ω-150Ω)	CA	5			
	EFCH1842TCC1			CC	6			
	EFCH1842TCB1			CB	4			
	EFCH1842TCD1			CD	5			
	EFCH1960TCA1	PCS1900 RX	UB-B(50Ω-150Ω)	CA	5			
	EFCH1960TCC1			CC	6			
	EFCH1960TCB1			CB	4			
	EFCH1960TCD1			CD	5			
	EFCH2140TCA1	WCDMA RX	UB-B(50Ω-200Ω)	CA	5			
	EFCH1950TCA1	WCDMA TX	B-UB(200Ω-50Ω)	CA	5			
	EFCH1501TCB1	PDC1.5G RX	UB-UB(50Ω-50Ω)	CB	4			
	EFCH1575TCA2	GPS	UB-B(50Ω-100Ω)	CA	5			
	EFCH1575TCB1			CB	4			
	EFCH9418MTY2	EGSM/DCS RX Dual	UB-UB(50Ω-50Ω)	Y	8			
	EFCHS9418MT2			S	8			
	SAW Filters (IF-Stage)	EFCH360MDQY3	EGSM/DCS	B-B(520Ω-520Ω)	Y		8	
		EFCH110MDQP1	J-CDMA	UB-UB(500Ω-530Ω)	P		10	
		EFCH183MDQP1	CDMA/AMPS	B-B(470Ω-400Ω)	P		10	
SAW Resonators	EFOH315MQR3	Remote controller	UB-UB(50Ω-50Ω)	RS	4			
	EFOH434MQR3			RS	4			

*UB:Unbalance, B:Balance

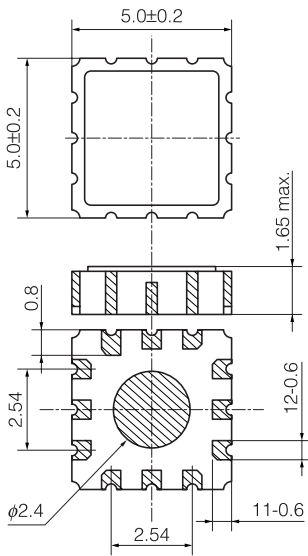
■ Precautions for Safety (See Page 242)

Design and specifications are each subject to change without notice. Ask factory for the current technical specifications before purchase and/or use. Should a safety concern arise regarding this product, please be sure to contact us immediately.

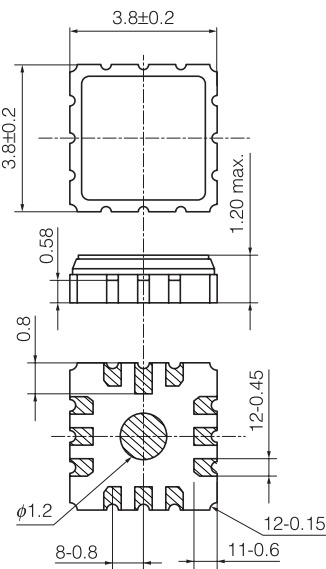
■ Dimensions in mm (not to scale)

[SAW Duplexers]

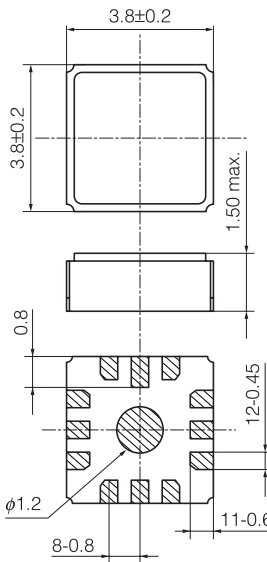
C type



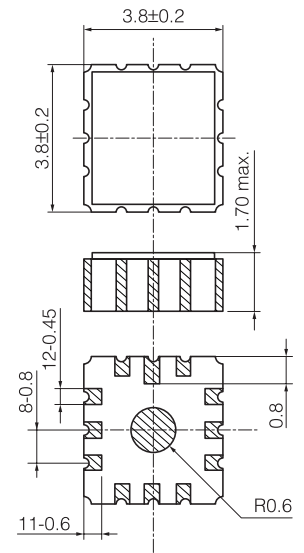
YD type



KA type

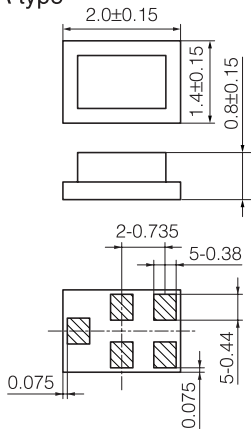


KD type

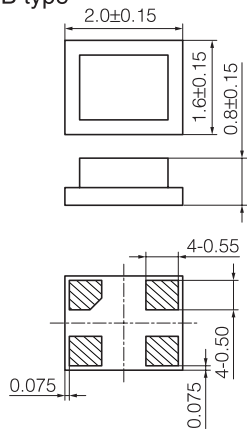


[SAW Filters(RF-Stage) / SAW Filters(IF-Stage) / SAW Resonators]

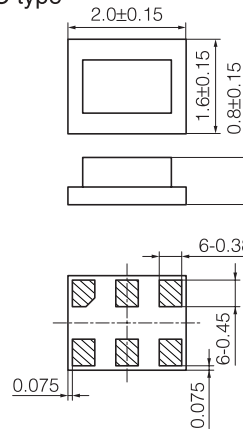
CA type



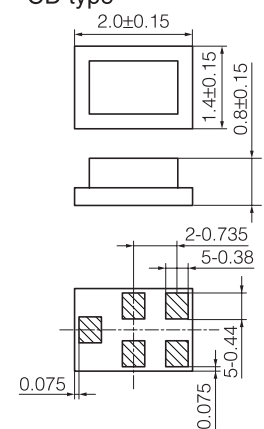
CB type



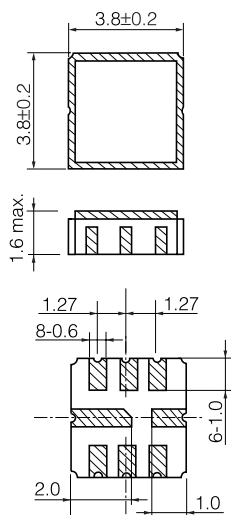
CC type



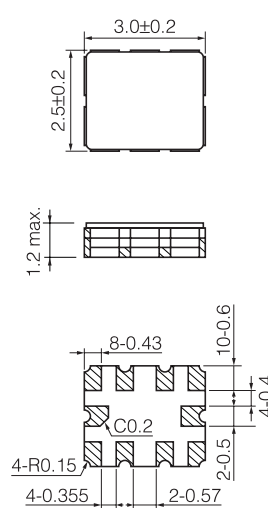
CD type



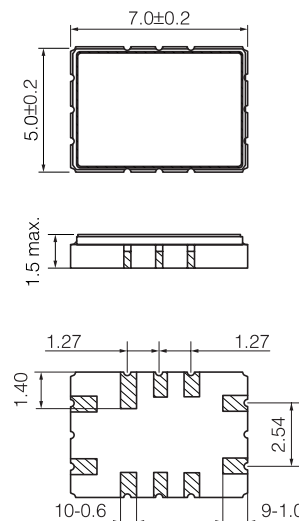
Y type



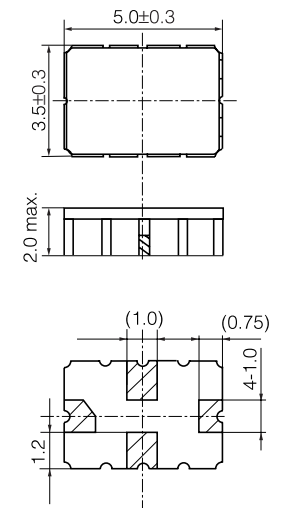
S type



P type

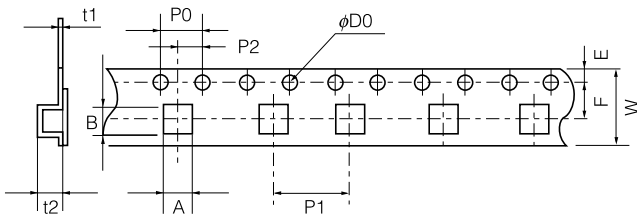


RS type



■ Dimensions in mm (not to scale)

● Embossed Taping



[SAW Duplexers]

C type

Symbol	W	F	E	P0	P1	P2	D0	t1	t2	A	B
Dim.(mm)	12.0±0.2	7.5±0.1	1.75±0.1	4.0±0.1	8.0±0.1	2.00±0.05	φ1.5 ^{+0.1} ₋₀	0.25±0.05	1.8±0.1	5.3±0.1	5.5±0.1

YD, KA, KD type

Symbol	W	F	E	P0	P1	P2	D0	t1	t2	A	B
Dim.(mm)	12.0±0.2	5.65±0.10	1.5±0.1	4.0±0.1	8.0±0.1	2.0±0.1	φ1.5 ^{+0.1} ₋₀	0.30±0.05	1.8±0.1	4.9±0.1	4.5±0.1

[SAW Filters(RF-Stage) / SAW Filters(IF-Stage) / SAW Resonators]

CA, CD type

Symbol	W	F	E	P0	P1	P2	D0	t1	t2	A	B
Dim.(mm)	8.0±0.2	3.50±0.05	1.75±0.10	4.0±0.1	4.0±0.1	2.00±0.05	φ1.5 ^{+0.1} ₋₀	0.20±0.05	1.2±0.1	1.8±0.1	2.40±0.05

CB, CC type

Symbol	W	F	E	P0	P1	P2	D0	t1	t2	A	B
Dim.(mm)	8.0±0.2	3.50±0.05	1.75±0.10	4.0±0.1	4.0±0.1	2.00±0.05	φ1.5 ^{+0.1} ₋₀	0.20±0.05	1.2±0.1	2.0±0.1	2.40±0.05

Y type

Symbol	W	F	E	P0	P1	P2	D0	t1	t2	A	B
Dim.(mm)	12.0±0.2	5.65±0.10	1.5±0.1	4.0±0.1	8.0±0.1	2.0±0.1	φ1.5 ^{+0.1} ₋₀	0.30±0.05	1.8±0.1	4.9±0.1	4.5±0.1

S type

Symbol	W	F	E	P0	P1	P2	D0	t1	t2	A	B
Dim.(mm)	12.0±0.2	5.5±0.1	1.75±0.1	4.0±0.1	4.0±0.1	2.00±0.05	φ1.5 ^{+0.1} ₋₀	0.30±0.05	1.2±0.1	3.0±0.1	3.7±0.1

P type

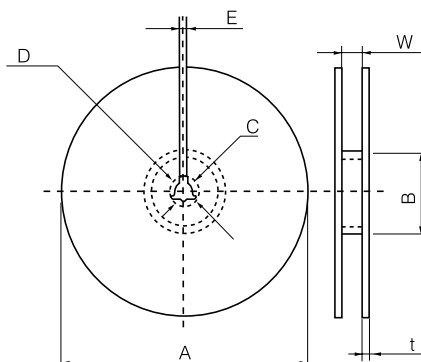
Symbol	W	F	E	P0	P1	P2	D0	t1	t2	A	B
Dim.(mm)	16.0±0.2	7.5±0.1	1.75±0.10	4.0±0.1	8.0±0.1	2.0±0.1	φ1.5 ^{+0.1} ₋₀	0.30±0.05	2.0±0.1	5.4±0.1	7.4±0.1

RS type

Symbol	W	F	E	P0	P1	P2	D0	t1	t2	A	B
Dim.(mm)	12.0±0.2	5.65±0.10	1.5±0.1	4.0±0.1	8.0±0.1	2.0±0.1	φ1.5 ^{+0.1} ₋₀	0.30±0.05	1.8±0.1	3.8±0.1	5.4±0.1

Unit : mm

● Reel Taping



[SAW Duplexers]

C, YD, KA, KD type

Symbol	A	B	C	D	E	W	t
Dim.(mm)	φ330±2	φ100±1.0	φ13.0±0.5	φ21.0±1.0	2.0±0.5	13.5±1.0	3 max.

[SAW Filters(RF-Stage) / SAW Filters(IF-Stage) / SAW Resonators]

CA, CB, CC, CD type

Symbol	A	B	C	D	E	W	t
Dim.(mm)	φ180±3	φ60.0±1.0	φ13.0±0.5	φ21.0±1.0	2.0±0.5	9.0±1.0	3 max.

S, RS type

Symbol	A	B	C	D	E	W	t
Dim.(mm)	φ180±3	φ60±1.0	φ13.0±0.5	φ21.0±1.0	2.0±0.5	13.0±1.0	3 max.

Y type

Symbol	A	B	C	D	E	W	t
Dim.(mm)	φ330±2	φ100±1.0	φ13.0±0.5	φ21.0±1.0	2.0±0.5	13.5±1.0	3 max.

P type

Symbol	A	B	C	D	E	W	t
Dim.(mm)	φ330±5	φ100±1.0	φ13.0±0.5	φ21.0±1.0	2.0±0.5	17.5±1.0	3 max.

Unit : mm