

Surface Acoustic Wave Filters



SF Series



FEATURES

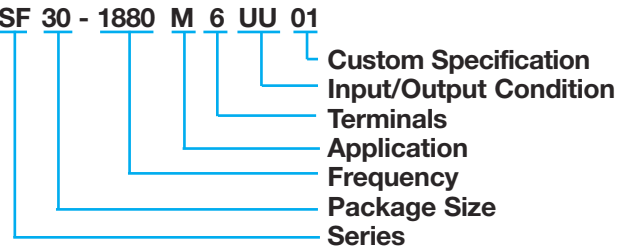
- Small and low profile
- Low insertion loss
- High selectivity
- Withstanding high voltage

APPLICATIONS

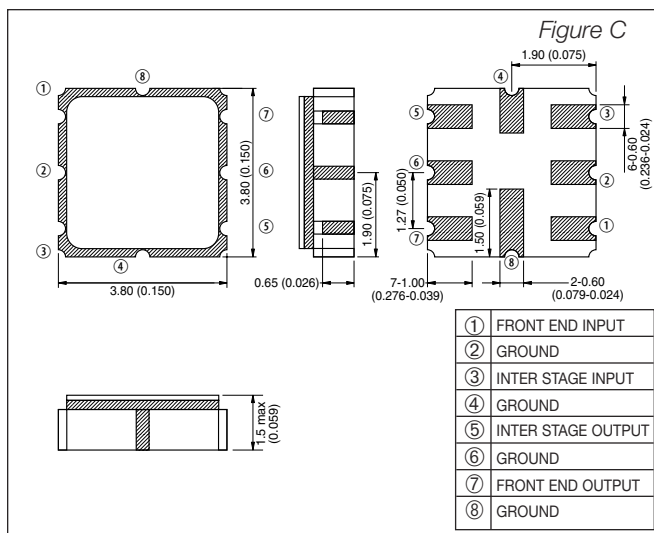
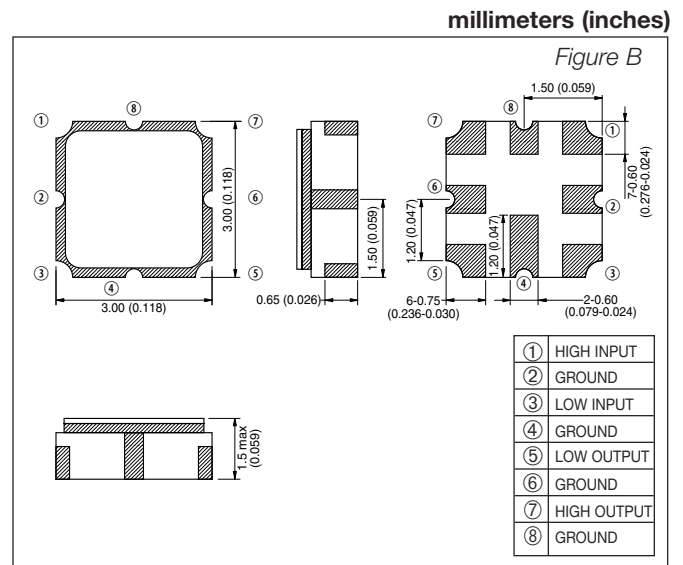
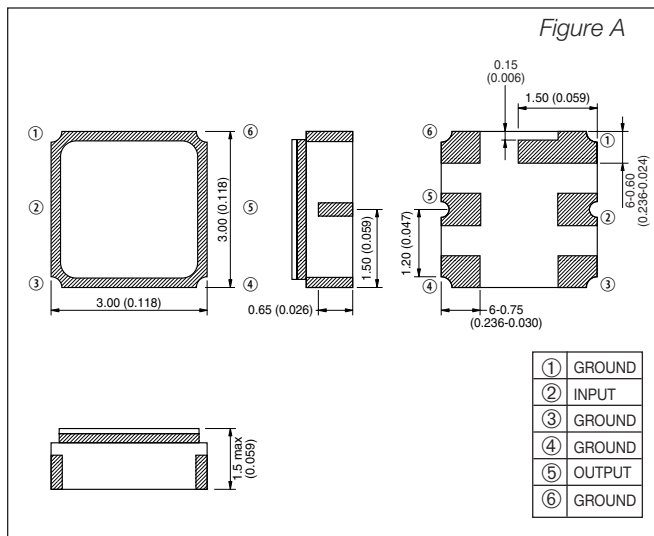
- PCS
- GPS

HOW TO ORDER

SF 30 - 1880 M 6 UU 01



DIMENSIONS



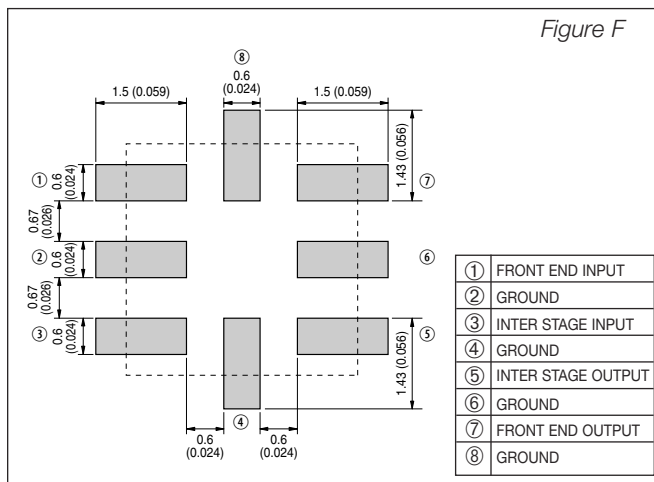
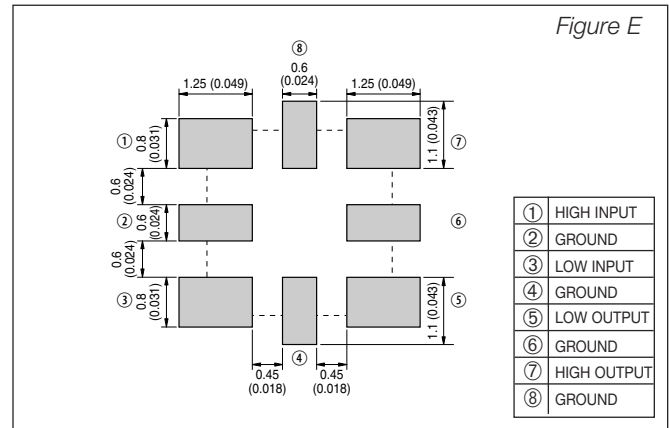
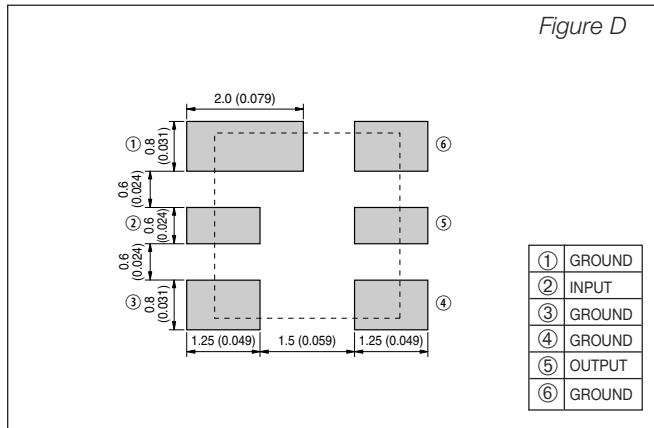
Surface Acoustic Wave Filters



SF Series

RECOMMENDED LAND PATTERN

millimeters (inches)



SPECIFICATIONS

| Part No. | Application | Pass Band Frequency | Pass Band Insertion Loss | Pass Band Variation | Pass Band VSWR | Absolute Rejection | | | | | | | | Operating Temperature | Storage Temperature | Dim. | Test Circuit | Rec. Land Pat. | Taping Dim. |
|-----------------|----------------------------------|--|--------------------------|---------------------|----------------|--------------------|-----------|-----------|-----------|-----------|----------|-----------|--|-----------------------|---------------------|--------|--------------|----------------|-------------|
| | | | | | | 1590MHz | 1720MHz | 1930MHz | 3400MHz | | | | | | | | | | |
| SF30-1880M6UU00 | PCS Tx | 1850MHz - 1910MHz | 4.5dB max. | 2.8dB max. | 2.5 | 1590MHz | 1720MHz | 1930MHz | 3400MHz | | | | | | | Fig. A | Fig. G | Fig. D | Dim. 1 |
| | | | | | | 20dB min. | 20dB min. | 7dB min. | 15dB min. | | | | | | | | | | |
| SF30-1960M6UU00 | PCS Rx | 1930MHz - 1990MHz | 4.0dB max. | 2.8dB max. | 2.0 | 1509MHz | 1850MHz | 2100MHz | 3400MHz | | | | | | Fig. A | Fig. G | Fig. D | Dim. 1 | |
| | | | | | | 1780MHz | 1910MHz | 2375MHz | 4350MHz | | | | | | | | | | |
| SF30-1880H8UU00 | PCS (Half) Tx (Low) Tx (High) | 1850MHz - 1880MHz 1880MHz - 1910MHz | 3.0dB max. | 1.7dB max. | 2.3 | 0 | 1700MHz | 1930MHz | 2200MHz | 2700MHz | | | | | Fig. B | Fig. H | Fig. E | Dim. 1 | |
| | | | | | | 1700MHz | 1760MHz | 1960MHz | 2700MHz | 3000MHz | | | | | | | | | |
| SF38-1575T8UU00 | GPS 2 in 1 | 1573.92MHz - 1576.92MHz | 1.8dB max. | 1.0dB max. | 2.0 | 850MHz | 1365MHz | 1463MHz | 1687MHz | 1785MHz | 1850MHz | 2450MHz | | -30 to +80°C | -40 to +85°C | Fig. C | Fig. H | Fig. F | Dim. 2 |
| | | | | | | 17dB min. | 25dB min. | 25dB min. | 25dB min. | 25dB min. | 28dB min | 18dB min. | | | | | | | |
| SF30-1575F6UU00 | GPS Single | 1573.92MHz - 1576.92MHz | 1.8dB max. | 1.0dB max. | 2.0 | 850MHz | 1365MHz | 1463MHz | 1687MHz | 1785MHz | 1850MHz | 2450MHz | | Fig. A | Fig. G | Fig. D | Dim. 1 | | |
| | | | | | | 17dB min. | 25dB min. | 25dB min. | 25dB min. | 25dB min. | 28dB min | 18dB min. | | | | | | | |
| SF30-1575S6UU00 | GPS Single | 1573.92MHz - 1576.92MHz | 2.5dB max. | 1.0dB max. | 2.0 | DC | 1300MHz | 1710MHz | 1820MHz | 1820MHz | 3000MHz | | | Fig. A | Fig. G | Fig. D | Dim. 1 | | |
| | | | | | | 25dB min. | 30dB min. | 25dB min. | 40dB min. | 30dB min. | | | | | | | | | |

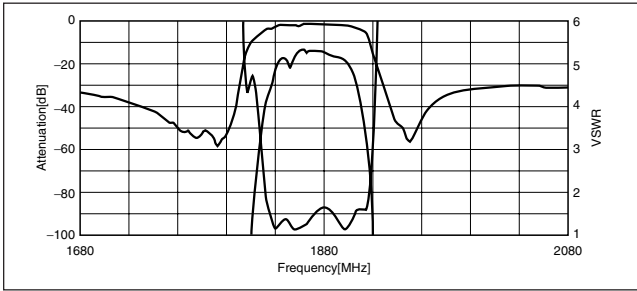
Surface Acoustic Wave Filters



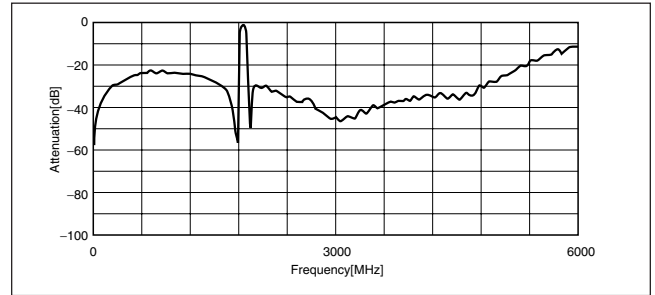
SF Series

CHARACTERISTICS

<PCS Tx Full>Parts No.: SF30-1880M6UU00

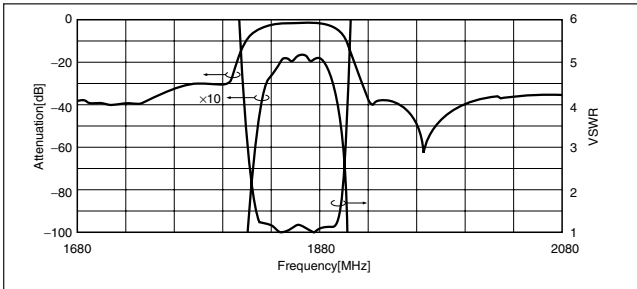


Pass Band Characteristics

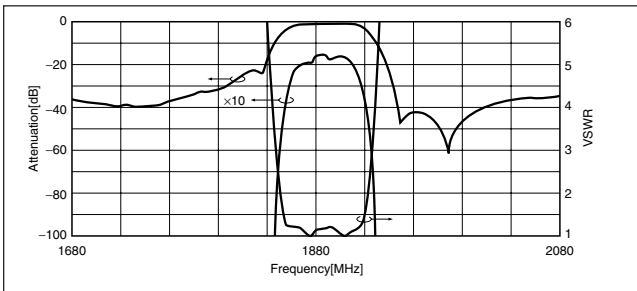
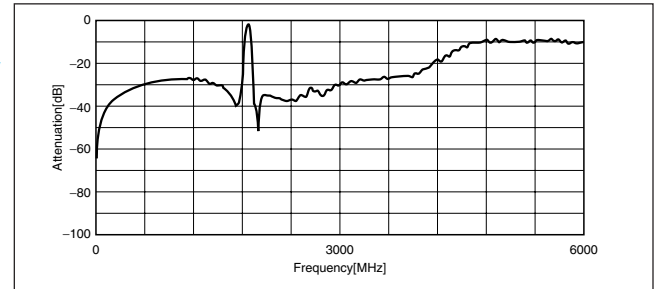


Spurious Characteristics

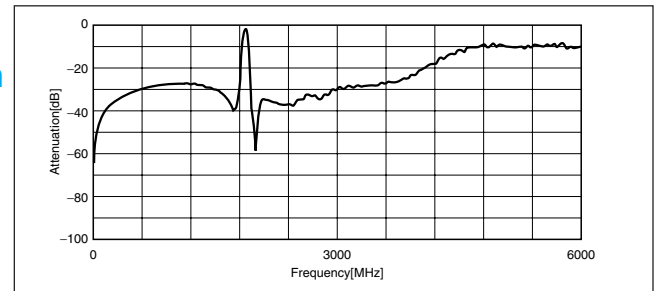
<PCS Tx Full>Parts No.: SF30-1880H8UU00



Low



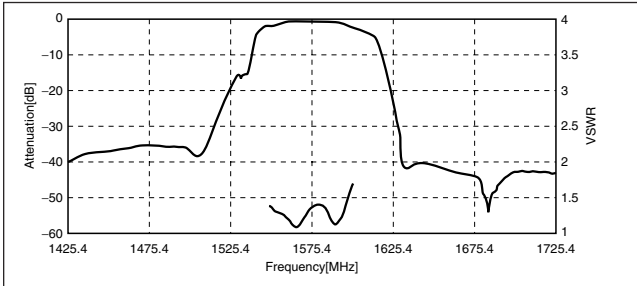
High



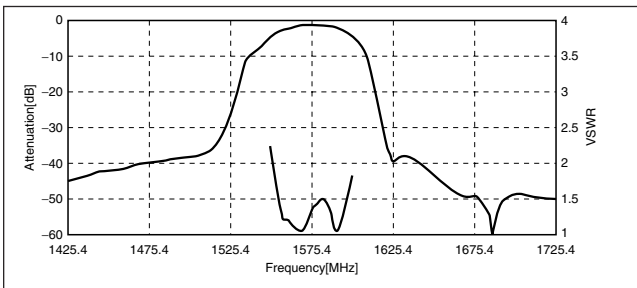
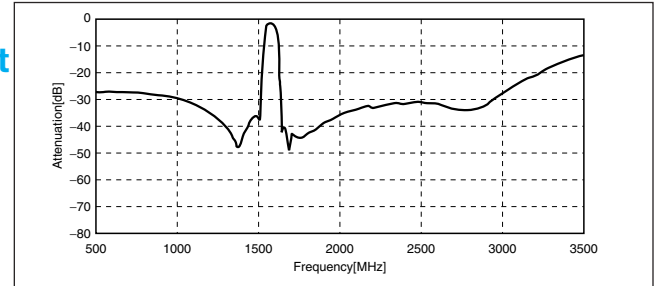
Pass Band Characteristics

Spurious Characteristics

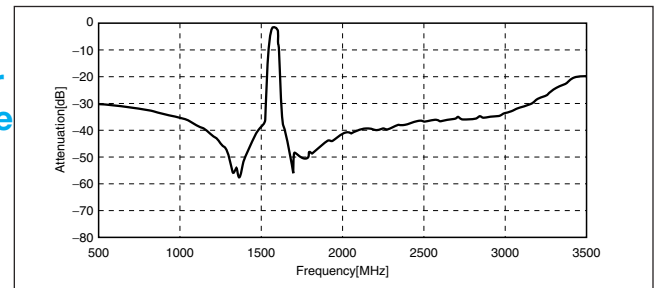
<GPS 2 in 1>Parts No.: SF38-1575T8UU00



Front End



Inter Stage



Pass Band Characteristics

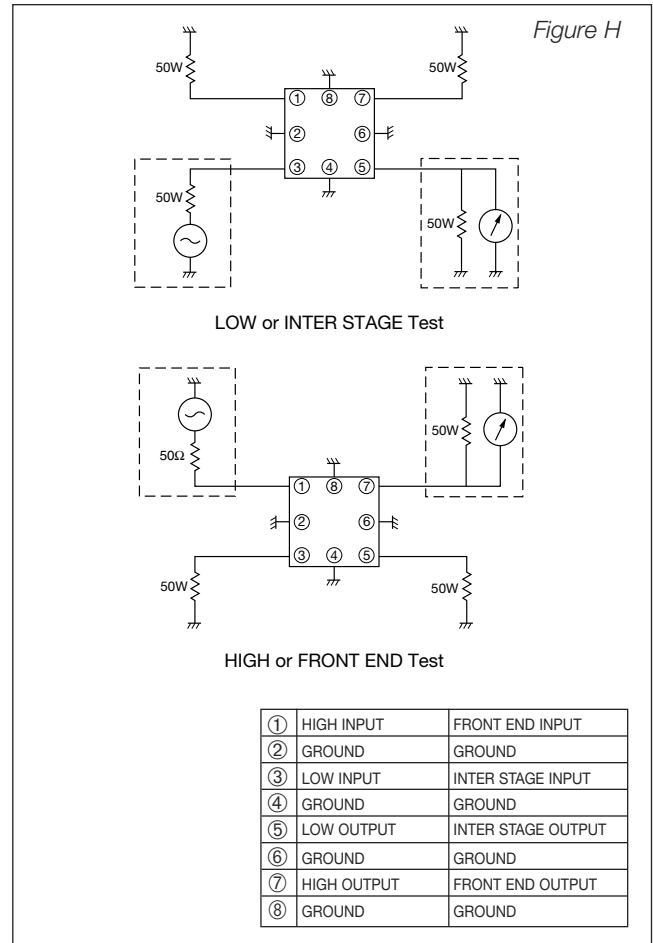
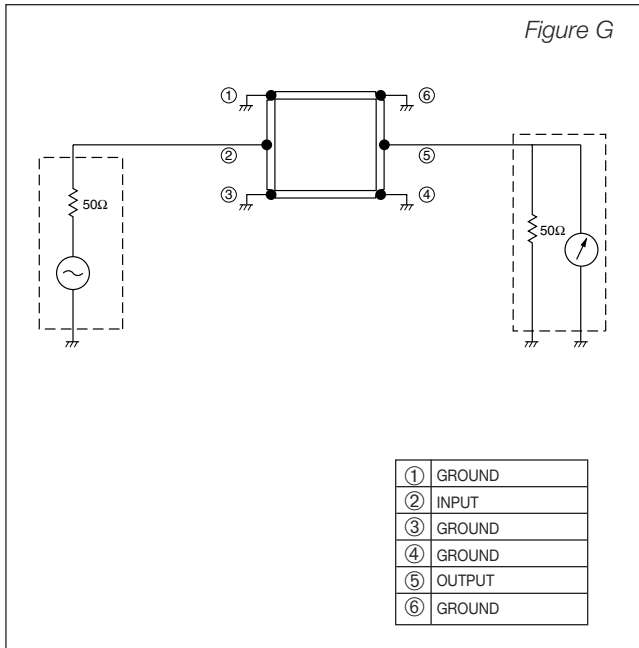
Spurious Characteristics

Surface Acoustic Wave Filters

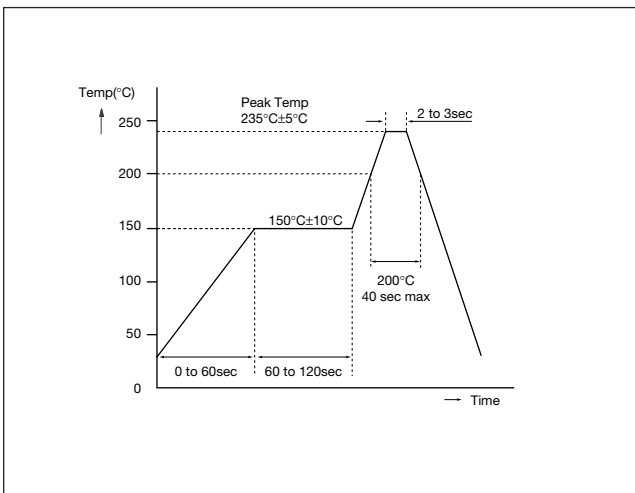


SF Series

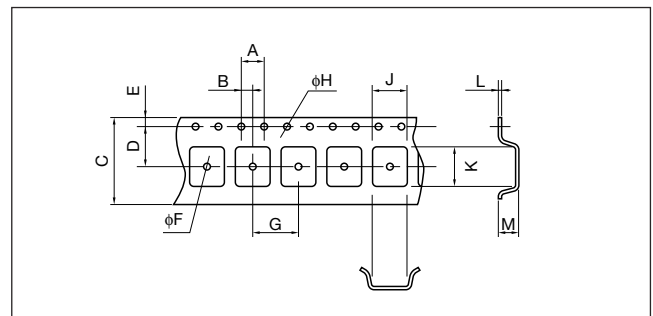
TEST CIRCUIT



RECOMMENDED TEMPERATURE PROFILE IR REFLOW



TAPING DIMENSIONS millimeters (inches)



| Code | A | B | C | D | F | G | H | J | K | L | M |
|--------|-----------------|-----------------|-----------------|-----------------|-----------------|-----------------|-----------------|-----------------|-----------------|-----------------|-----------------|
| Dim. 1 | 4.00 (0.157) | 2.00 (0.079) | 12.0 (0.472) | 5.50 (0.217) | 1.55 (0.061) | 8.00 (0.315) | 1.55 (0.061) | 3.30 (0.130) | 3.30 (0.130) | 0.30 (0.012) | 1.85 (0.073) |
| Dim. 2 | 4.00 (0.157) | 2.00 (0.079) | 12.0 (0.472) | 5.50 (0.217) | 1.55 (0.061) | 8.00 (0.315) | 1.55 (0.061) | 4.00 (0.157) | 4.00 (0.157) | 0.30 (0.012) | 1.40 (0.055) |