

# Features Ceramic-Filters / Keramikfilter (LTZ, SFE, SFSH)

- HIGH RELIABILITY FOR LOW COST
- LOW INSERTION LOSS

PETERMANN

TECHNIK

Time & Frequency Components

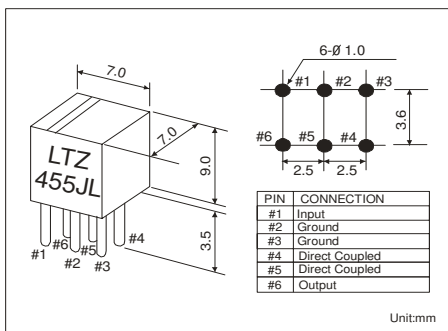
## LTZ SERIES OF CERAMIC FILTER FOR AM

450.0 ~ 470.0 kHz

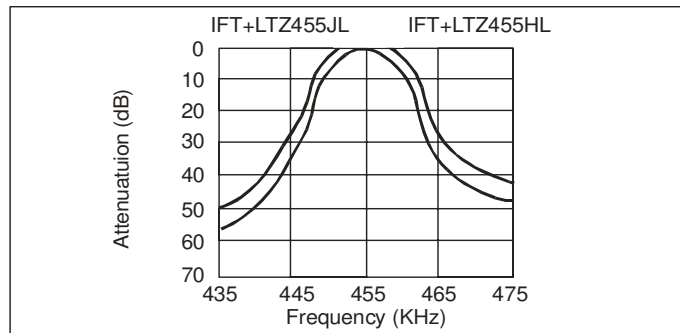
PART NUMBER	3 dB BAND WITH (kHz)	SELECTIVITY	INSERTION LOSS	COMPOSITION
		+9kHz(dB) +9kHz(dB) min.		
LTZ455HL	4.0 +-1	23	7 dB	2 ELEMENTS DIRECT COUPLING TYPE
LTZ455JL	5.5 +-1	18	7 dB	

CENTER FREQUENCY (F0) IS AVAILABLE IN A RANGE OF 450.0 ~ 470.0 kHz  
THE NOMINAL FREQUENCY TOLERANCE IS +-2 kHz

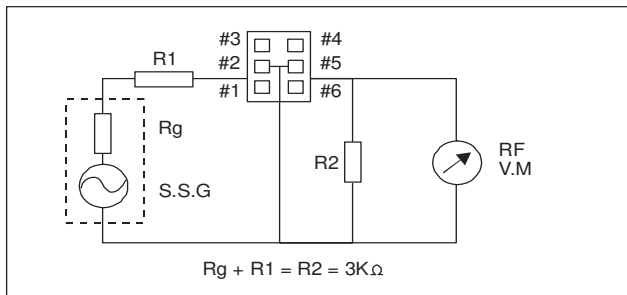
### PACKAGE DIMENSION



### CHARACTERISTICS



### TEST CIRCUIT



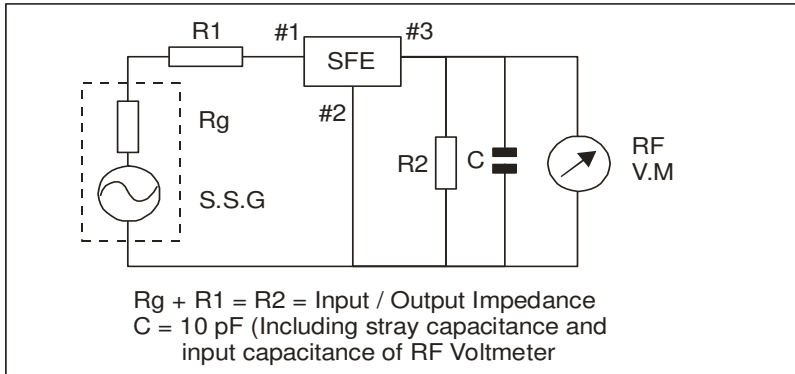
## SFE SERIES OF CERAMIC FILTER FOR TV/VCR

4.5/5.5/6.0/6.5 MHz

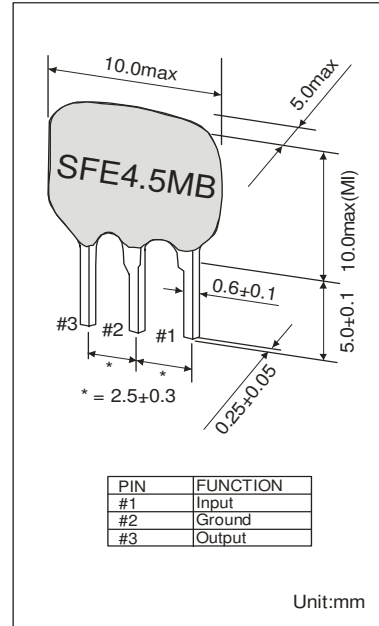
PART NUMBER	3 dB BAND WITH (kHz) min.	20 dB BAND WITH (kHz) max.	INSERTION LOSS	SPURIOUS RESPONSE (dB) min.	INPUT/OUTPUT IMPEDANCE (W)
SFE4.5MB	+60 (+-105)	530 (420)	6 (4)	20 (4.5+0.8/-1.0MHz)	1000
SFE5.5MB	+75 (+-120)	550 (470)	6 (3)	25 (5.5+1.0MHz)	600
SFE6.0MB	+80 (+-130)	600 (500)	6 (2.5)	25 (6.0+1.0MHz)	470
SFE6.5MB	+80 (+-130)	630 (530)	6 (2.5)	25 (6.5+1.0MHz)	470

( ) = TYPICAL VALUES

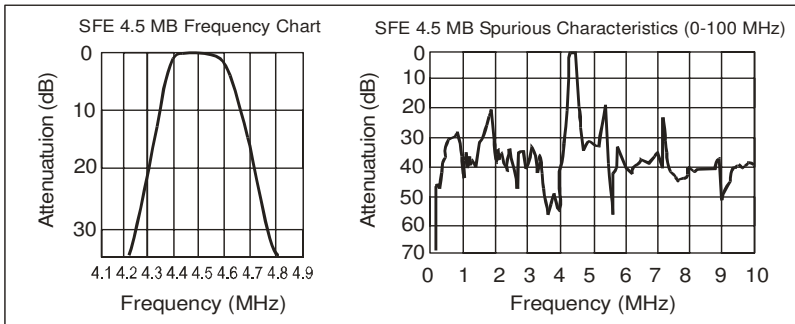
**TEST CIRCUIT**



**PACKAGE DIMENSIONS**



**CHARACTERISTICS**



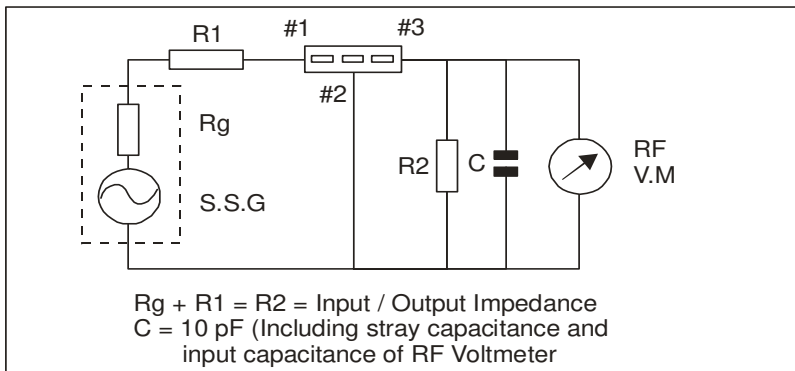
**SFSH SERIES OF CERAMIC FILTER FOR TV/VCR**

**4.5/5.5/6.0/6.5 MHz**

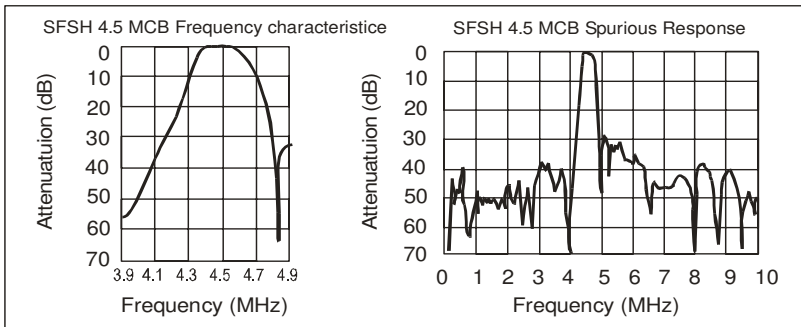
PART NUMBER	3 dB BAND WITH (kHz) min.	20 dB BAND WITH (kHz) max.	INSERTION LOSS	SPURIOUS RESPONSE (dB) min.	INPUT/OUTPUT IMPEDANCE (W)
SFSH4.5MCB	+60 (+-110)	600 (470)	6 (3.2)	30 (0 ~ 4.5 MHz)	1000
SFSH5.5MCB	+60 (+-115)	600 (500)	6 (3.6)	30 (0 ~ 5.5 MHz)	600
SFSH6.0MCB	+60 (+-115)	600 (500)	6 (4.0)	30 (0 ~ 6.0 MHz)	470
SFSH6.5MCB	+70 (+-115)	600 (530)	6 (3.6)	30 (0 ~ 6.5 MHz)	470

( ) = TYPICAL VALUES

**TEST CIRCUIT**



## CHARACTERISTICS



## PACKAGE DIMENSIONS

