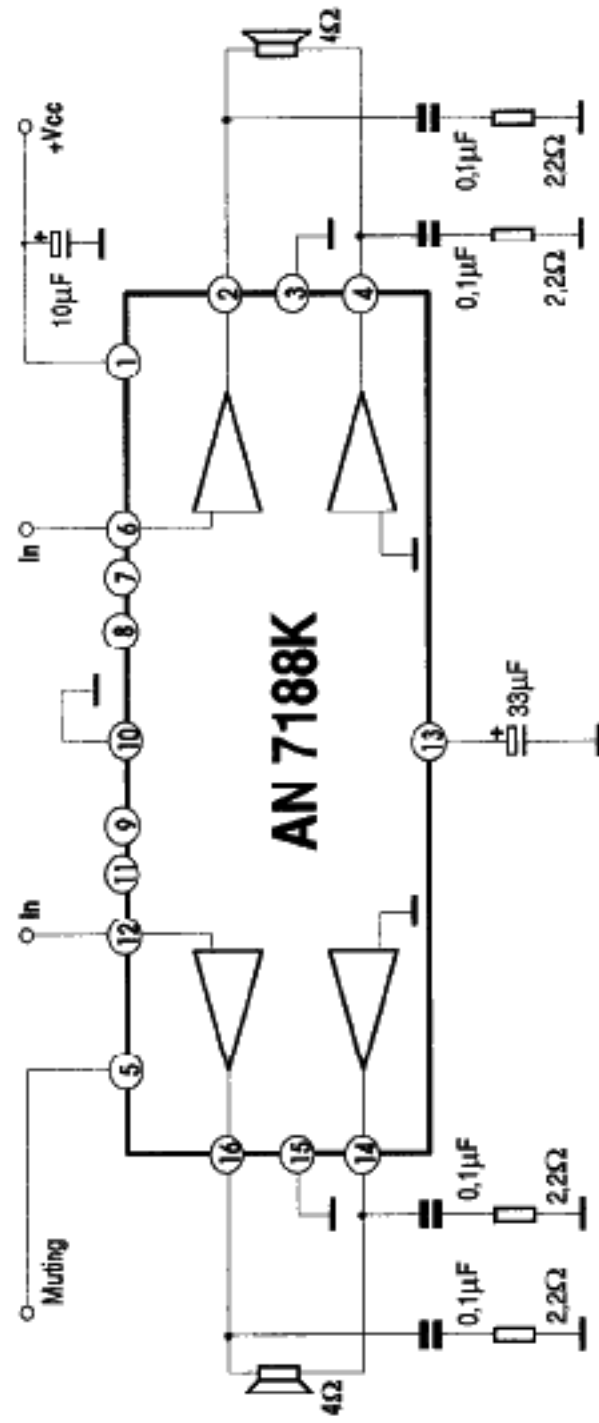


AN7188K

2*Power Amplifier 18 W

V _{CC} max	24 V	V _{CC} typ	13.2 V	I _{CC} max	200 mA
I _{CC} typ	120 mA	PO	2*18W	R _L	4 Ω
THD	10 %	Gain	49 dB	Noise	4 μV
Case	ZIP 16				

Remarks 2*BTL, Muting Switch



This datasheet has been downloaded from:

www.DatasheetCatalog.com

Datasheets for electronic components.