

DATA SHEET

TDA7050

Low voltage mono/stereo power
amplifier

Product specification
File under Integrated Circuits, IC01

June 1989

Low voltage mono/stereo power amplifier

TDA7050

GENERAL DESCRIPTION

The TDA7050 is a low voltage audio amplifier for small radios with headphones (such as watch, pen and pocket radios) in mono (bridge-tied load) or stereo applications.

Features

- Limited to battery supply application only (typ. 3 and 4 V)
- Operates with supply voltage down to 1,6 V
- No external components required
- Very low quiescent current
- Fixed integrated gain of 26 dB, floating differential input
- Flexibility in use – mono BTL as well as stereo
- Small dimension of encapsulation (see package design example)

QUICK REFERENCE DATA

Supply voltage range	V_P	1,6 to 6,0 V
Total quiescent current (at $V_P = 3$ V)	I_{tot}	typ. 3,2 mA
Bridge tied load application (BTL)		
Output power at $R_L = 32 \Omega$ $V_P = 3$ V; $d_{tot} = 10\%$	P_o	typ. 140 mW
D.C. output offset voltage between the outputs	$ \Delta V $	max. 70 mV
Noise output voltage (r.m.s. value) at $f = 1$ kHz; $R_S = 5$ k Ω	$V_{no(rms)}$	typ. 140 μ V
Stereo application		
Output power at $R_L = 32 \Omega$ $d_{tot} = 10\%$; $V_P = 3$ V	P_o	typ. 35 mW
$d_{tot} = 10\%$; $V_P = 4,5$ V	P_o	typ. 75 mW
Channel separation at $R_S = 0 \Omega$; $f = 1$ kHz	α	typ. 40 dB
Noise output voltage (r.m.s. value) at $f = 1$ kHz; $R_S = 5$ k Ω	$V_{no(rms)}$	typ. 100 μ V

PACKAGE OUTLINE

8-lead DIL; plastic (SOT97); SOT97-1; 1996 July 23.

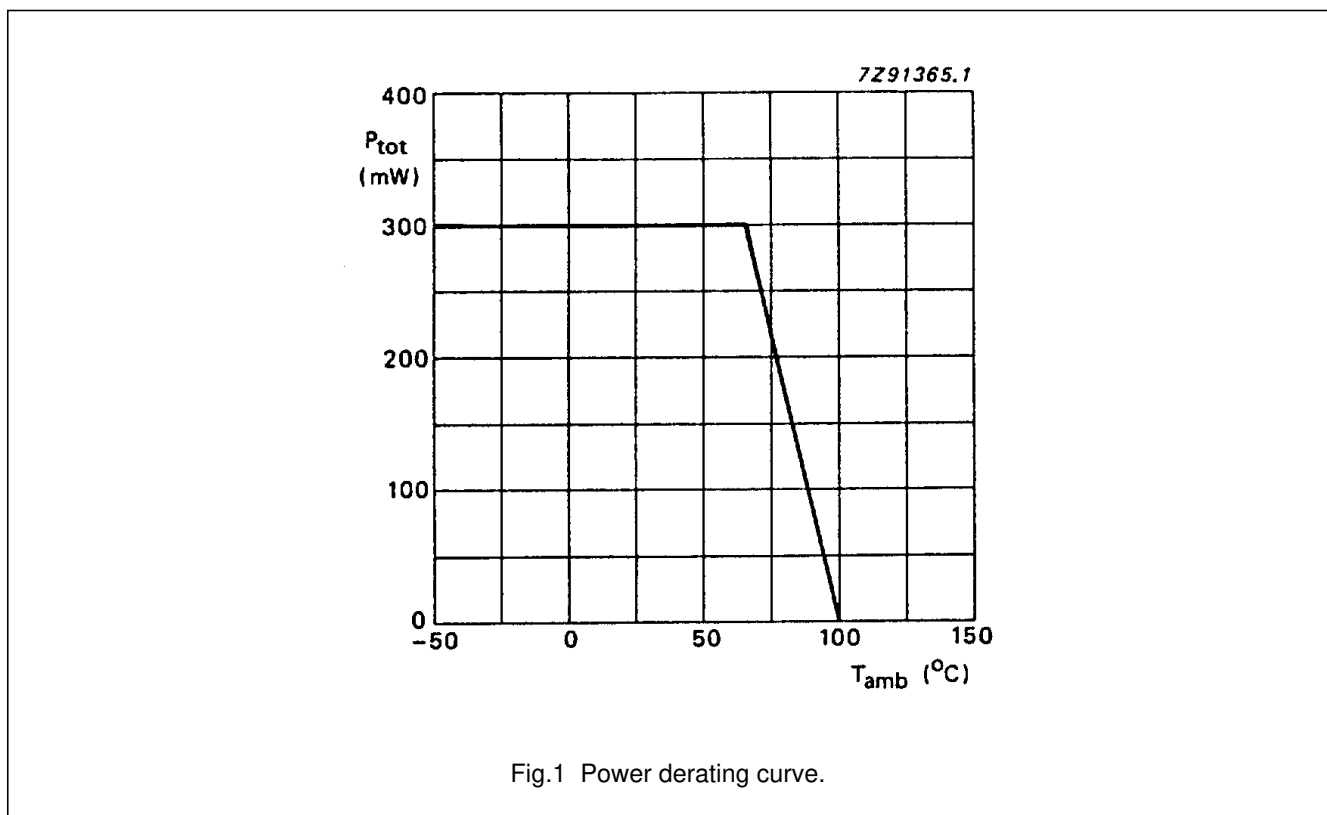
Low voltage mono/stereo power amplifier

TDA7050

RATINGS

Limiting values in accordance with the Absolute Maximum System (IEC 134)

Supply voltage	V_P	max.	6 V
Peak output current	I_{OM}	max.	150 mA
Total power dissipation			see derating curve Fig.1
Storage temperature range	T_{stg}		-55 to + 150 °C
Crystal temperature	T_C	max.	100 °C
A.C. and d.c. short-circuit duration at $V_P = 3,0$ V (during mishandling)	t_{sc}	max.	5 s



THERMAL RESISTANCE

From junction to ambient

$$R_{thj-a} = 110 \text{ K/W}$$

Low voltage mono/stereo power amplifier

TDA7050

CHARACTERISTICS $V_P = 3\text{ V}$; $f = 1\text{ kHz}$; $R_L = 32\ \Omega$; $T_{\text{amb}} = 25\text{ }^\circ\text{C}$; unless otherwise specified

PARAMETER	SYMBOL	MIN.	TYP.	MAX.	UNIT
Supply					
Supply voltage	V_P	1,6	–	6,0	V
Total quiescent current	I_{tot}	–	3,2	4	mA
Bridge-tied load application (BTL); see Fig.4					
Output power; note 1					
$V_P = 3,0\text{ V}$; $d_{\text{tot}} = 10\%$	P_o	–	140	–	mW
$V_P = 4,5\text{ V}$; $d_{\text{tot}} = 10\%$ ($R_L = 64\ \Omega$)	P_o	–	150	–	mW
Voltage gain	G_v	–	32	–	dB
Noise output voltage (r.m.s. value)					
$R_S = 5\text{ k}\Omega$; $f = 1\text{ kHz}$	$V_{\text{no(rms)}}$	–	140	–	μV
$R_S = 0\ \Omega$; $f = 500\text{ kHz}$; $B = 5\text{ kHz}$	$V_{\text{no(rms)}}$	–	tbf	–	μV
D.C. output offset voltage (at $R_S = 5\text{ k}\Omega$)	$ \Delta V $	–	–	70	mV
Input impedance (at $R_S = \infty$)	$ Z_i $	1	–	–	$\text{M}\Omega$
Input bias current	I_i	–	40	–	nA
Stereo application; see Fig.5					
Output power; note 1					
$V_P = 3,0\text{ V}$; $d_{\text{tot}} = 10\%$	P_o	–	35	–	mW
$V_P = 4,5\text{ V}$; $d_{\text{tot}} = 10\%$	P_o	–	75	–	mW
Voltage gain	G_v	24.5	26	27.5	dB
Noise output voltage (r.m.s. value)					
$R_S = 5\text{ k}\Omega$; $f = 1\text{ kHz}$	$V_{\text{no(rms)}}$	–	100	–	μV
$R_S = 0\ \Omega$; $f = 500\text{ kHz}$; $B = 5\text{ kHz}$	$V_{\text{no(rms)}}$	–	tbf	–	μV
Channel separation					
$R_S = 0\ \Omega$; $f = 1\text{ kHz}$	α	30	40	–	dB
Input impedance (at $R_S = \infty$)	$ Z_i $	2	–	–	$\text{M}\Omega$
Input bias current	I_i	–	20	–	nA

Note

- Output power is measured directly at the output pins of the IC. It is shown as a function of the supply voltage in Fig.2 (BTL application) and Fig.3 (stereo application).

Low voltage mono/stereo power amplifier

TDA7050

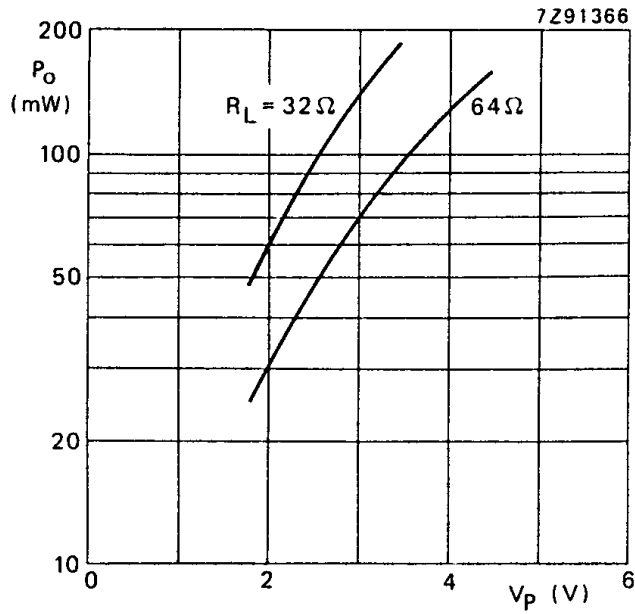


Fig.2 Output power across the load impedance (R_L) as a function of supply voltage (V_p) in BTL application. Measurements were made at $f = 1\text{ kHz}$; $d_{tot} = 10\%$; $T_{amb} = 25\text{ }^\circ\text{C}$.

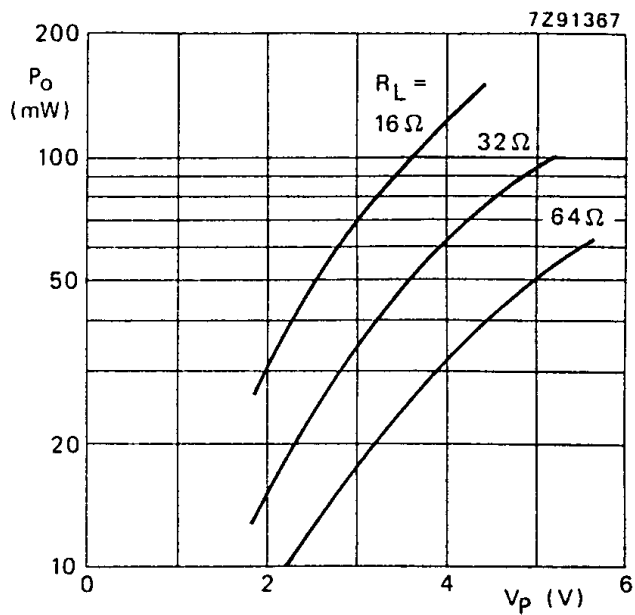
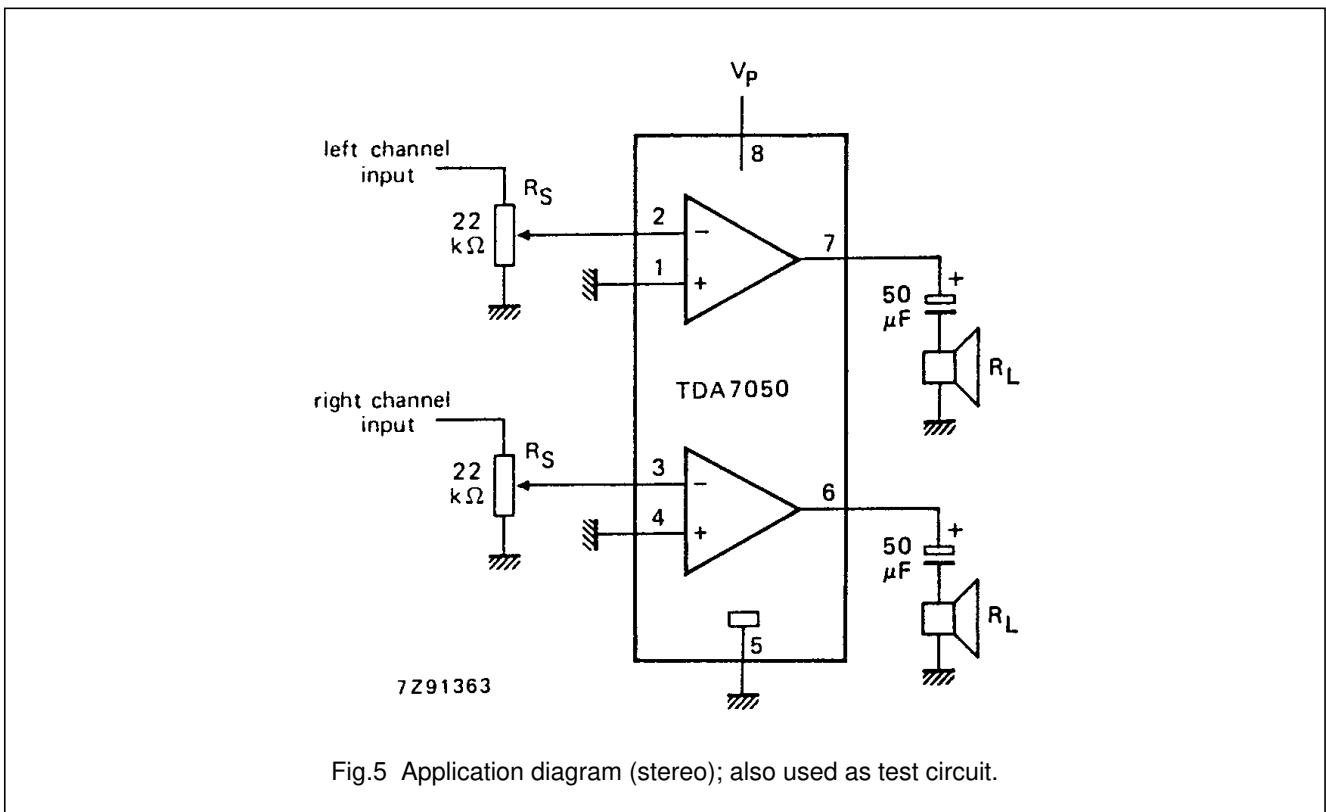
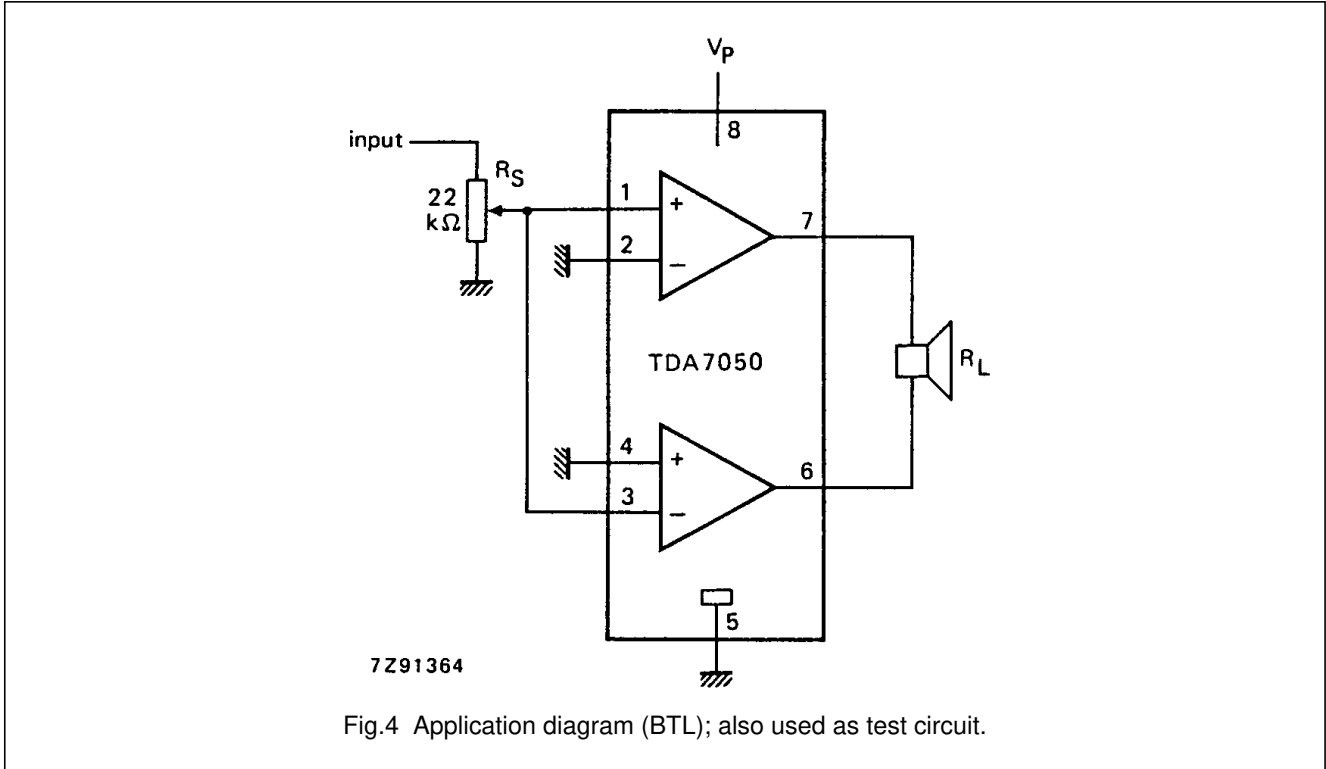


Fig.3 Output power across the load impedance (R_L) as a function of supply voltage (V_p) in stereo application. Measurements were made at $f = 1\text{ kHz}$; $d_{tot} = 10\%$; $T_{amb} = 25\text{ }^\circ\text{C}$.

Low voltage mono/stereo power amplifier

TDA7050

APPLICATION INFORMATION



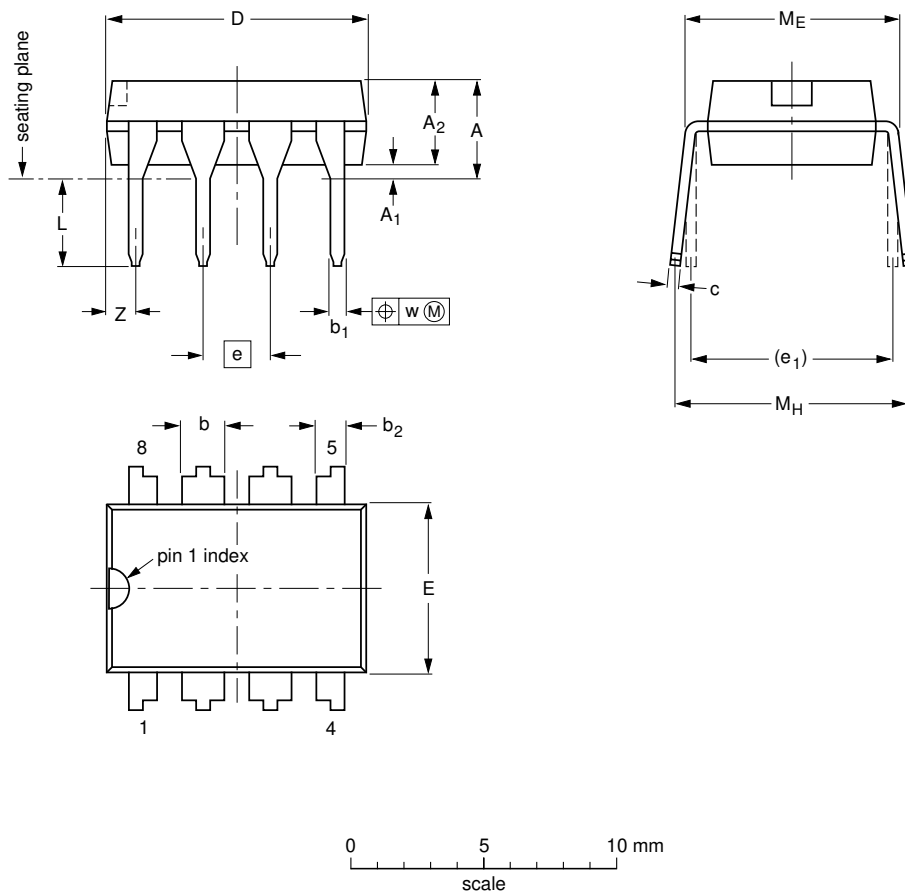
Low voltage mono/stereo power amplifier

TDA7050

PACKAGE OUTLINE

DIP8: plastic dual in-line package; 8 leads (300 mil)

SOT97-1



DIMENSIONS (inch dimensions are derived from the original mm dimensions)

UNIT	A max.	A ₁ min.	A ₂ max.	b	b ₁	b ₂	c	D ⁽¹⁾	E ⁽¹⁾	e	e ₁	L	M _E	M _H	w	Z ⁽¹⁾ max.
mm	4.2	0.51	3.2	1.73 1.14	0.53 0.38	1.07 0.89	0.36 0.23	9.8 9.2	6.48 6.20	2.54	7.62	3.60 3.05	8.25 7.80	10.0 8.3	0.254	1.15
inches	0.17	0.020	0.13	0.068 0.045	0.021 0.015	0.042 0.035	0.014 0.009	0.39 0.36	0.26 0.24	0.10	0.30	0.14 0.12	0.32 0.31	0.39 0.33	0.01	0.045

Note

1. Plastic or metal protrusions of 0.25 mm maximum per side are not included.

OUTLINE VERSION	REFERENCES				EUROPEAN PROJECTION	ISSUE DATE
	IEC	JEDEC	EIAJ			
SOT97-1	050G01	MO-001AN				92-11-17 95-02-04

Low voltage mono/stereo power amplifier

TDA7050

SOLDERING

Introduction

There is no soldering method that is ideal for all IC packages. Wave soldering is often preferred when through-hole and surface mounted components are mixed on one printed-circuit board. However, wave soldering is not always suitable for surface mounted ICs, or for printed-circuits with high population densities. In these situations reflow soldering is often used.

This text gives a very brief insight to a complex technology. A more in-depth account of soldering ICs can be found in our "IC Package Databook" (order code 9398 652 90011).

Soldering by dipping or by wave

The maximum permissible temperature of the solder is 260 °C; solder at this temperature must not be in contact with the joint for more than 5 seconds. The total contact time of successive solder waves must not exceed 5 seconds.

The device may be mounted up to the seating plane, but the temperature of the plastic body must not exceed the specified maximum storage temperature ($T_{stg\ max}$). If the printed-circuit board has been pre-heated, forced cooling may be necessary immediately after soldering to keep the temperature within the permissible limit.

Repairing soldered joints

Apply a low voltage soldering iron (less than 24 V) to the lead(s) of the package, below the seating plane or not more than 2 mm above it. If the temperature of the soldering iron bit is less than 300 °C it may remain in contact for up to 10 seconds. If the bit temperature is between 300 and 400 °C, contact may be up to 5 seconds.

DEFINITIONS

Data sheet status	
Objective specification	This data sheet contains target or goal specifications for product development.
Preliminary specification	This data sheet contains preliminary data; supplementary data may be published later.
Product specification	This data sheet contains final product specifications.
Limiting values	
Limiting values given are in accordance with the Absolute Maximum Rating System (IEC 134). Stress above one or more of the limiting values may cause permanent damage to the device. These are stress ratings only and operation of the device at these or at any other conditions above those given in the Characteristics sections of the specification is not implied. Exposure to limiting values for extended periods may affect device reliability.	
Application information	
Where application information is given, it is advisory and does not form part of the specification.	

LIFE SUPPORT APPLICATIONS

These products are not designed for use in life support appliances, devices, or systems where malfunction of these products can reasonably be expected to result in personal injury. Philips customers using or selling these products for use in such applications do so at their own risk and agree to fully indemnify Philips for any damages resulting from such improper use or sale.

This datasheet has been downloaded from:

www.DatasheetCatalog.com

Datasheets for electronic components.