

M5230L,FP

VARIABLE OUTPUT VOLTAGE REGULATOR (DUAL TRACKING TYPE)

DESCRIPTION

The M5230 is a semiconductor integrated circuit which is designed for variable output voltage regulator of dual tracking type.

It is housed in an 8-pin SIP and SOP. The output voltage can be adjusted over a wide range from $\pm 3 \sim \pm 30V$ by adjusting the value of the voltage setting external resistors. By adjusting the resistance of the external balance setting resistors the positive/negative output voltage ratio can also be set freely. Again by attaching power transistors high current gains can be achieved, making the device suitable for use in the power supplies of a wide variety of equipment.

FEATURES

- High input voltage $V_I = \pm 35V$
- Wide range of output voltage $V_O = \pm 3 \sim \pm 30V$
- Low output noise voltage $V_{NO} = 12 \mu V_{rms}(typ.)$
- Built-in current limiting and thermal shutdown circuit
- The output voltage rise time constant of the coefficients can be adjusted by the value of the external capacitor.
- Capability of operation control by the external control signal (Pin ⑧).

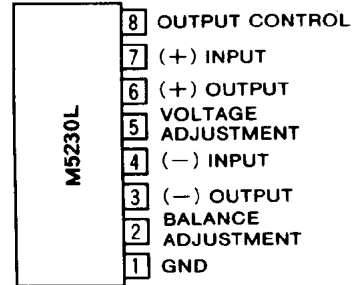
APPLICATION

Dual voltage power supplies for stereo preamplifiers, for the power supplies of other equipment, including operational amplifiers.

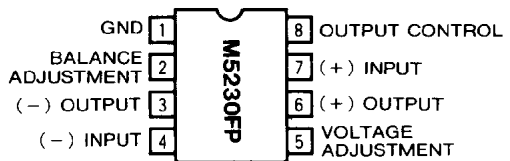
RECOMMENDED OPERATING CONDITIONS

- Supply voltage range $\pm 8 \sim \pm 35V$
- Rated supply voltage $\pm 20V$

PIN CONFIGURATION (TOP VIEW)



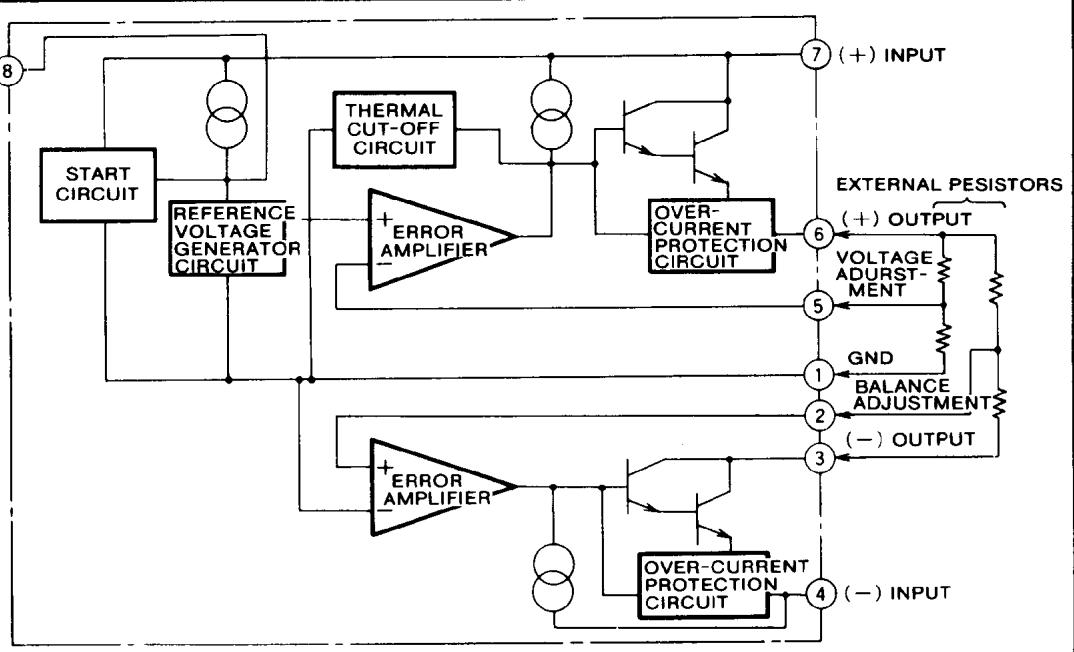
Outline 8P5



Outline 8P2S-A

BLOCK DIAGRAM

OUTPUT CONTROL ⑧



VARIABLE OUTPUT VOLTAGE REGULATOR(DUAL TRACKING TYPE)

ABSOLUTE MAXIMUM RATINGS (Ta=25°C)

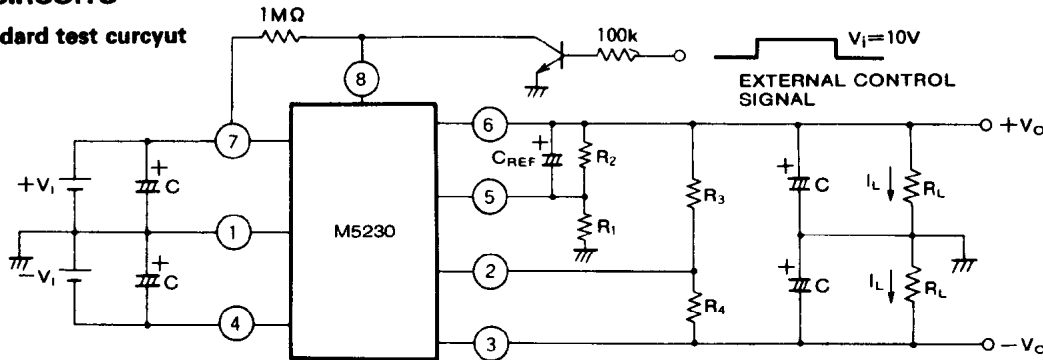
Symbol	Parameter	Ratings	Unit
V _I	Input voltage	±35	V
I _L	Load current	±30	mA
V _I -V _O	Input-output voltage difference	±32	V
P _d	Power dissipation	800(L)/440(FP)	mW
T _{opr}	Ambient temperature	-20~+75	°C
T _{stg}	Storage temperature	-55~+125	°C

ELECTTICAL CHARACTERISTICS(measurement circuit (a) is used with, Ta=25°C, V_I=±20V, V_O=±15V, I_L=10mA, C=10μF, C_{REF}=1μF, R₁=3.3kΩ)

Symbol	Parameter	Test conditions	Limits			Unit
			Min	Typ	Max	
V _I	Input voltage		±8		±35	V
V _O	Output voltage	R ₂ ≈1.5~55kΩ	±3		±30	V
V _{REF}	Reference voltage	(between pin ⑤ and pin ①)	1.66	1.8	1.95	V
V _I -V _O	Minimum input-output voltage difference			2.5	3	V
ΔV _O ±	Dual voltage tracking				1	%
Reg _{in}	Input regulation	V _I =±18~±30V		0.02	0.1	%/V
Reg _L	Load regulation	I _L =0~20mA		0.02	0.1	%
I _B	Bias current	I _L =0 (disregarding the current in resistors R ₁ , R ₂ , R ₃ , R ₄)		1.3	3.0	mA
TC _{VO}	Temperature coefficient of output voltage	T _a =0~75°C, V _O =±3~±30V		0.01		%/°C
RR	Ripple rejection	f=120Hz(measured with circuit (b))		68		dB
V _{NO}	Output noise voltage	f=20Hz~100kHz (between the output terminal and ground)		12		μVrms
V _{O(OFF)}	Output cut-off voltage	V _I =10V			±0.1	V

TEST CIRCUITS

(a) Standard test curcyut



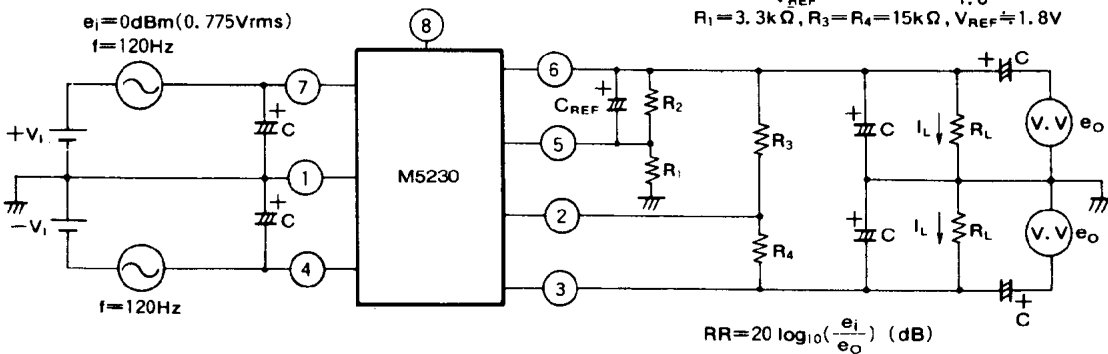
$$+V_O = V_{REF} \left(1 + \frac{R_2}{R_1}\right) \approx 1.8 \times \left(1 + \frac{R_2}{3.3}\right) \text{ (V)}$$

$$-V_O = +V_O \cdot \frac{R_4}{R_3} \text{ (V)}$$

$$R_2 = R_1 \left(\frac{V_O}{V_{REF}} - 1\right) \approx 3.3 \times \left(\frac{+V_O}{1.8} - 1\right) \text{ (k}\Omega\text{)}$$

$$R_1 = 3.3 \text{ k}\Omega, R_3 = R_4 = 15 \text{ k}\Omega, V_{REF} \approx 1.8 \text{ V}$$

(b) Ripple rejection test circuit

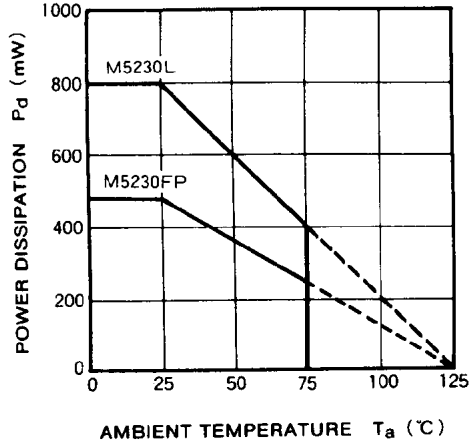


$$RR = 20 \log_{10} \left(\frac{e_i}{e_o}\right) \text{ (dB)}$$

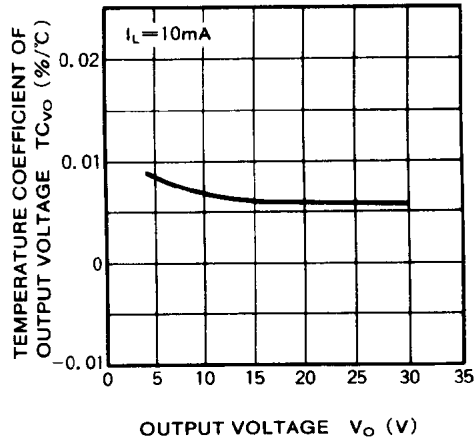
VARIABLE OUTPUT VOLTAGE REGULATOR (DUAL TRACKING TYPE)

TYPICAL CHARACTERISTICS

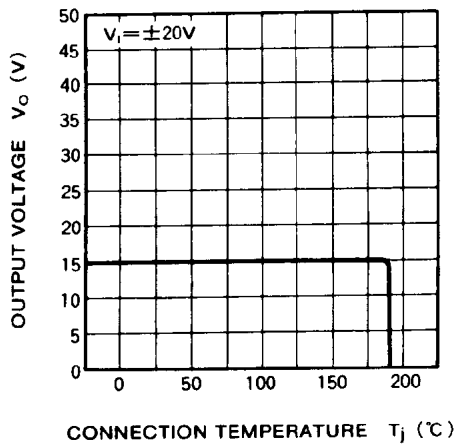
THERMAL DERATING (MAXIMUM RATING)



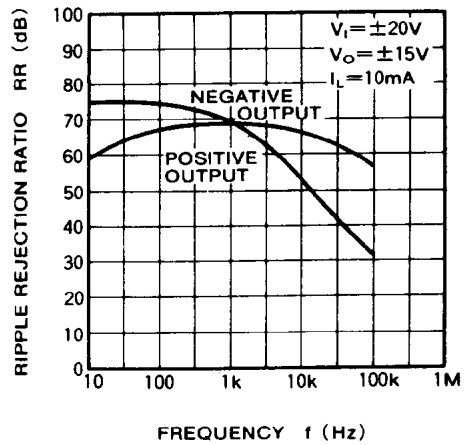
TEMPERATURE COEFFICIENT OF OUTPUT VOLTAGE VS. OUTPUT VOLTAGE CHARACTERISTICS



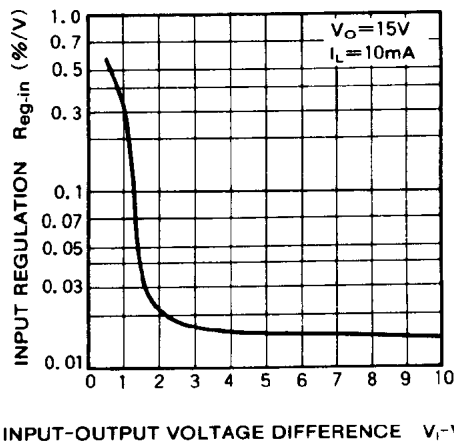
THERMAL CUTOFF



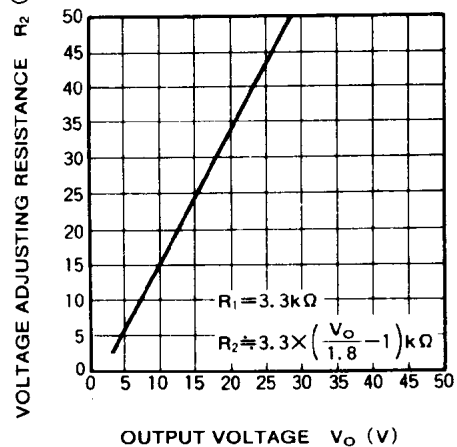
RIPPLE REJECTION



INPUT REGULATION VS. INPUT-OUTPUT VOLTAGE DIFFERENCE



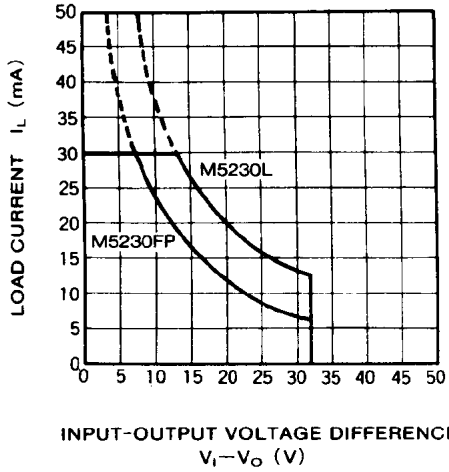
VOLTAGE ADJUSTMENT RESISTANCE VS. OUTPUT VOLTAGE



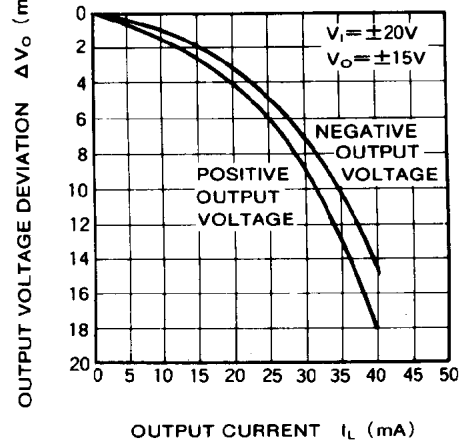
M5230L,FP

VARIABLE OUTPUT VOLTAGE REGULATOR (DUAL TRACKING TYPE)

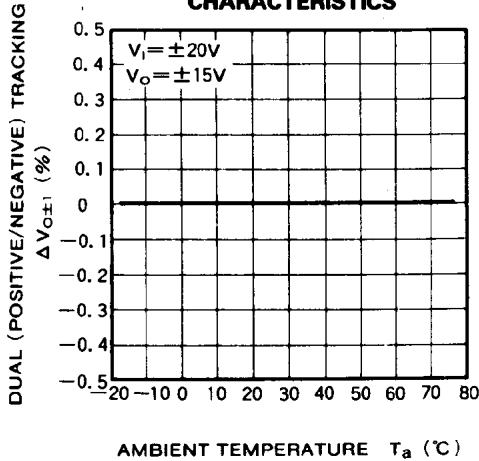
LOAD CURRENT VS. INPUT-OUTPUT VOLTAGE DIFFERENCE



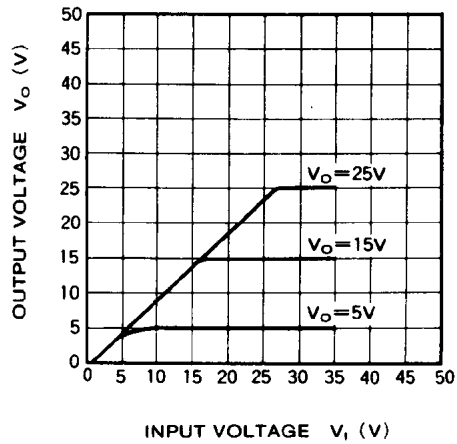
OUTPUT VOLTAGE REGULATION



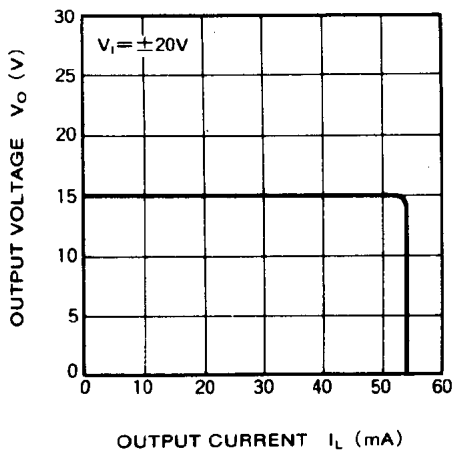
DUAL-TRACKING TEMPERATURE CHARACTERISTICS



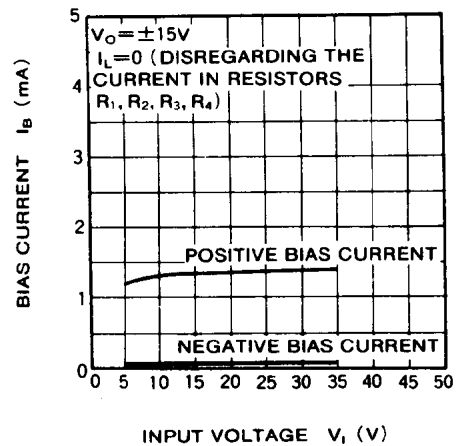
OUTPUT VOLTAGE CHARACTERISTICS



LOAD CHARACTERISTICS

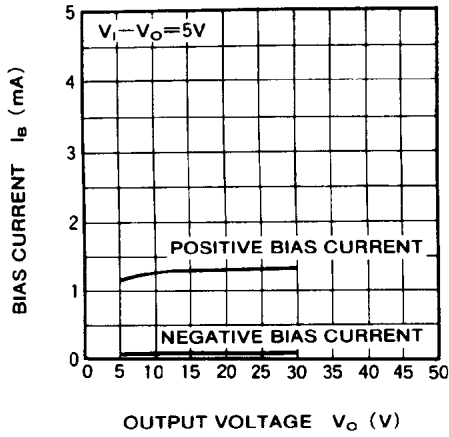


BIAS CURRENT VS. INPUT VOLTAGE

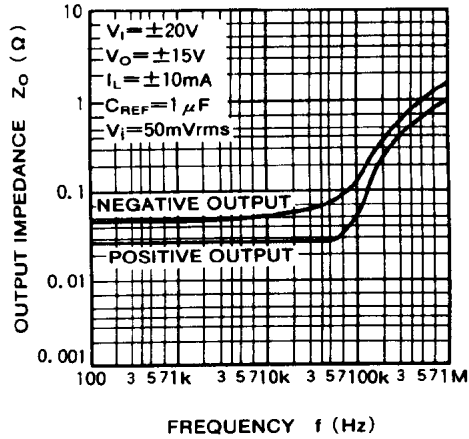


VARIABLE OUTPUT VOLTAGE REGULATOR (DUAL TRACKING TYPE)

BIAS CURRENT VS. OUTPUT VOLTAGE

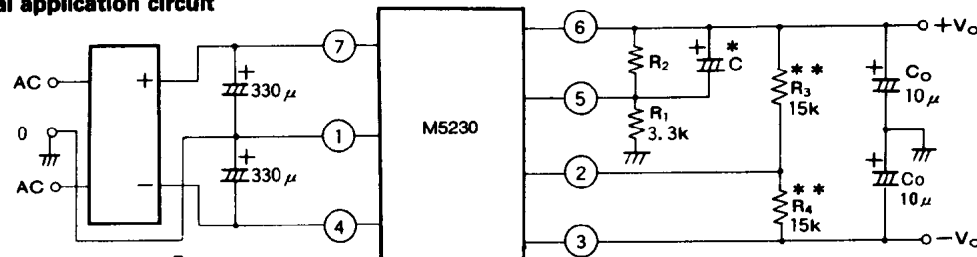


OUTPUT IMPEDANCE VS. FREQUENCY



APPLICATION EXAMPLES

(1) Typical application circuit



$$+V_o \approx 1.8 \times \left(1 + \frac{R_2}{3.3}\right) \text{ (V)}$$

$$R_2 \approx 3.3 \times \left(\frac{V_o}{1.8} - 1\right) \text{ (k}\Omega\text{)}$$

$$-V_o = (+V_o) \cdot \frac{R_4}{R_3} \text{ (V)}$$

Note: When the input power supply lines become long, a 0.1 μF capacitor should be connected between input power supply pins ⑦ and ④ and ground.

* C

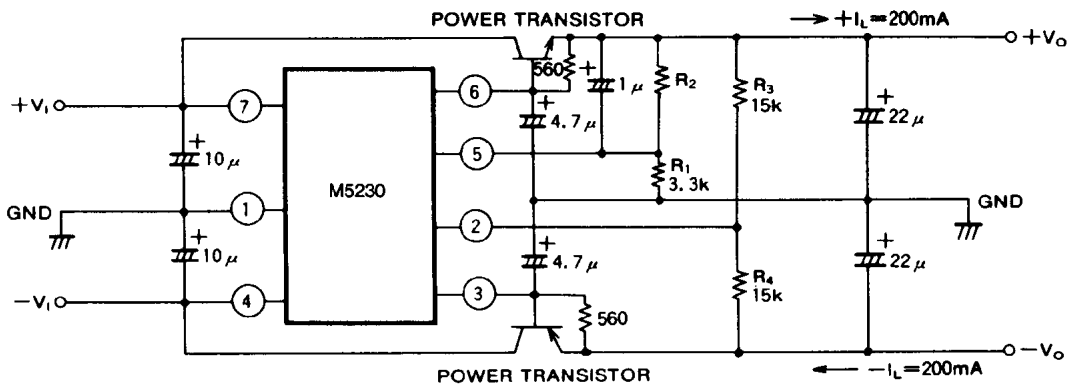
- Connection of this capacitor gives the following characteristics.
- 1) The rise time constant of the output voltage can be adjusted (slowed) (See Fig. 1)
 - 2) The ripple rejection ratio is improved.
 - 3) Noise output voltage is reduced.

** R₃, R₄

By changing the ratio of these two resistances the positive/negative voltage ratio can also be set freely. (See Fig. 2)

Unit Resistance : Ω
Capacitance : F

(2) Typical application circuit with power transistors connected

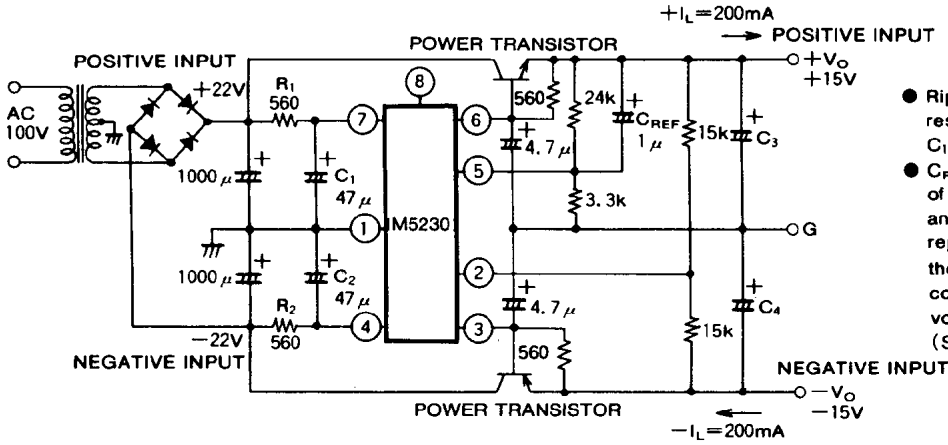


Unit Resistance : Ω
Capacitance : F

M5230L, FP

VARIABLE OUTPUT VOLTAGE REGULATOR(DUAL TRACKING TYPE)

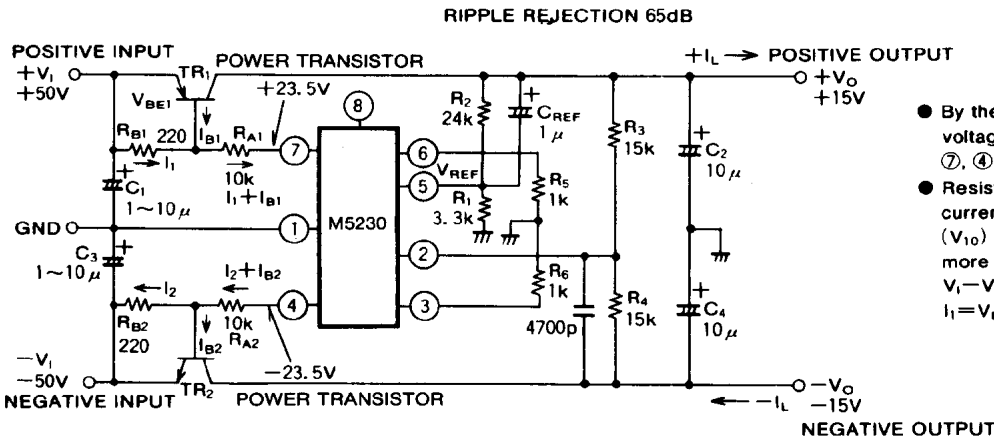
(3) High ripple rejection circuit (80dB)



- Ripple regained by the input resistance R_1 , (R_2), and capacitor C_1 , (C_2).
- C_{REF} can reduce noise to the 1/10 of that of 3 Terminal regulator IC, and also can improve the ripple rejection. In addition, by increasing the capacitance of the C_{REF} , the constant at set-up of the output voltage V_O can be adjusted. (Soft set-up enable).

Unit Resistance : Ω
Capacitance : F

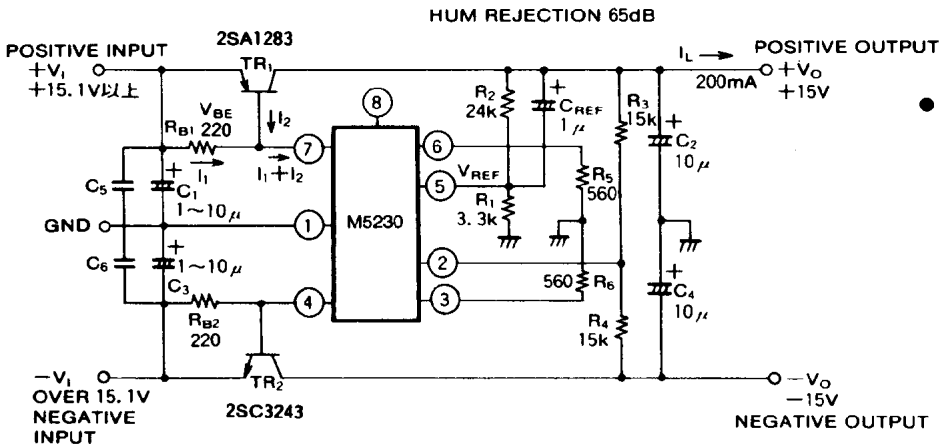
(4) High input voltage ($V_I = \pm 50V$)



- By the resistance R_{A1} , (R_{A2}), the voltage that will be supplied to pins ⑦, ④ can be lower.
- Resistances R_5 and R_6 are for load current limit. Keep the I/O voltage (V_{I0}) difference between ⑦-⑥ more than 6V.
 $V_I - V_{BE} - (I_1 + I_{B1} - I_B)R_5 > 3V$
 $I_1 = V_{BE}/R_{B1}$, $I_{B1} = I_L/h_{FE}$

Unit Resistance : Ω
Capacitance : F

(5) Supper low dropout regulator circuit ($V_{I0} = 100mW$)



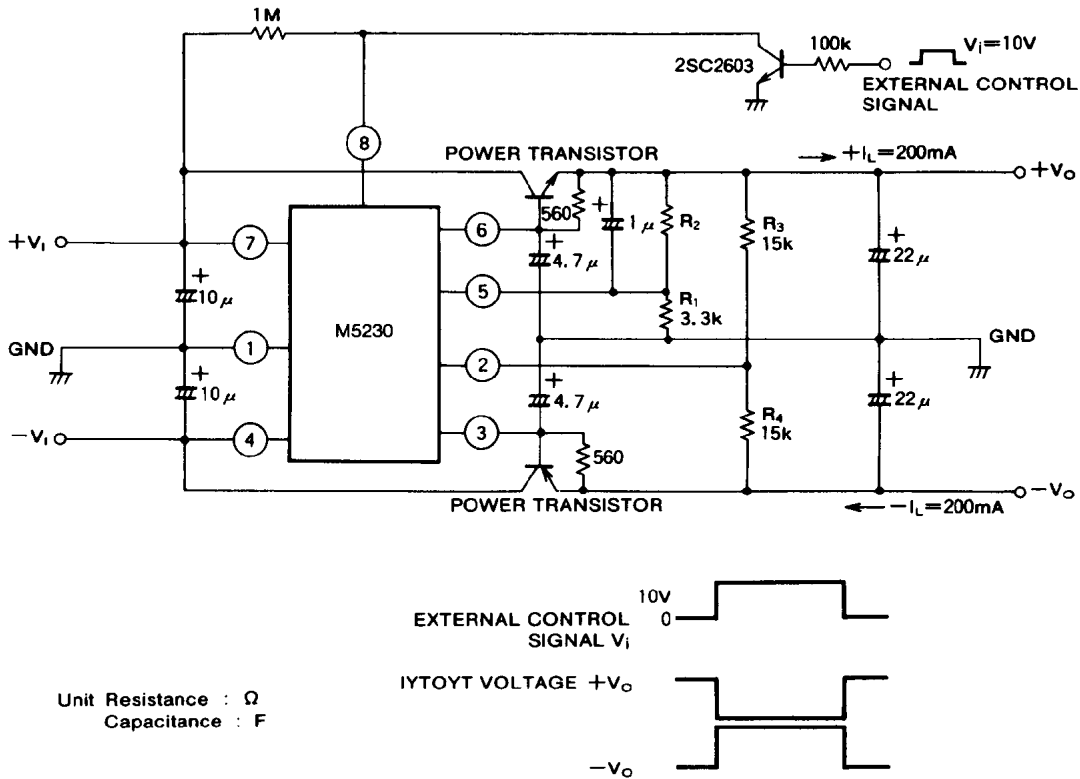
- Stable operations are expected even if the input-output voltage differences are quite low as 0.1V. The heat sink of power TR can become small in size owing to the low dissipation.

Unit Resistance : Ω
Capacitance : F

(Note) The load current can be over 1A by connecting the external power TR.

VARIABLE OUTPUT VOLTAGE REGULATOR (DUAL TRACKING TYPE)

(6) ON/OFF control of output voltage circuit



EXAMPLES OF THE CHARACTERISTICS ACHIEVED

Fig. 1 OUTPUT VOLTAGE CHARACTERISTICS FOR EXTERNAL CAPACITORS (*C)

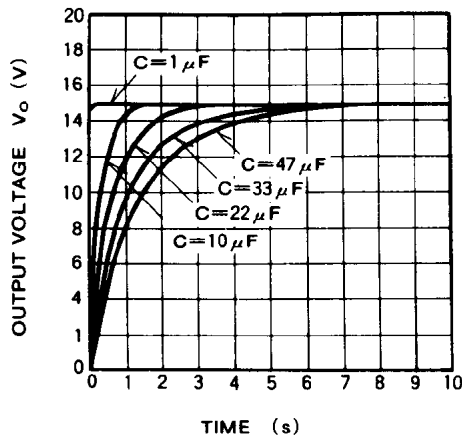
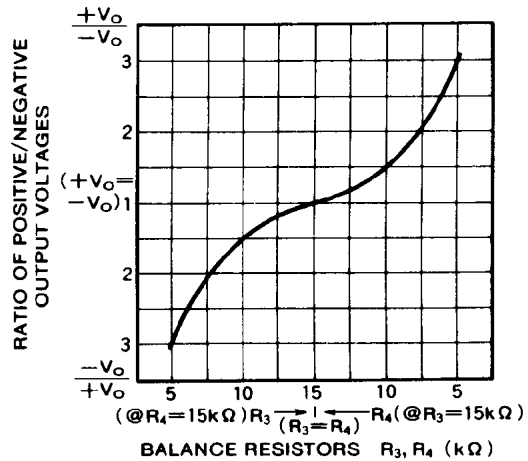


Fig. 2 OUTPUT VOLTAGE RATIO VS. BALANCE VOLTAGE ADJUSTING RESISTANCE CHARACTERISTICS



This datasheet has been download from:

www.datasheetcatalog.com

Datasheets for electronics components.