

		STK7348
		Thick Film Hybrid IC

TENTATIVE

Case Outline : 9 pins (See attached drawing.)

Function : Offline Switching Regulator

Use : Color TV power supply

Features : Self oscillation type

Absolute Maximum Ratings at Ta=25°C

AC Input Voltage	V _{AC}	0 to 280	unit
Maximum Output Power	W _{omax}	80	Vrms
Operating Temperature	T _{opg}	-10 to +65	W
Storage Temperature	T _{stg}	-30 to +105	°C
Operating Case Temperature	T _{Cmax}	105	°C
Thermal Resistance	θ _{j-c}	1.6	°C/W
Junction Temperature	T _{jmax}	150	°C

Electrical Characteristics at Ta=25°C, See specified test circuit.

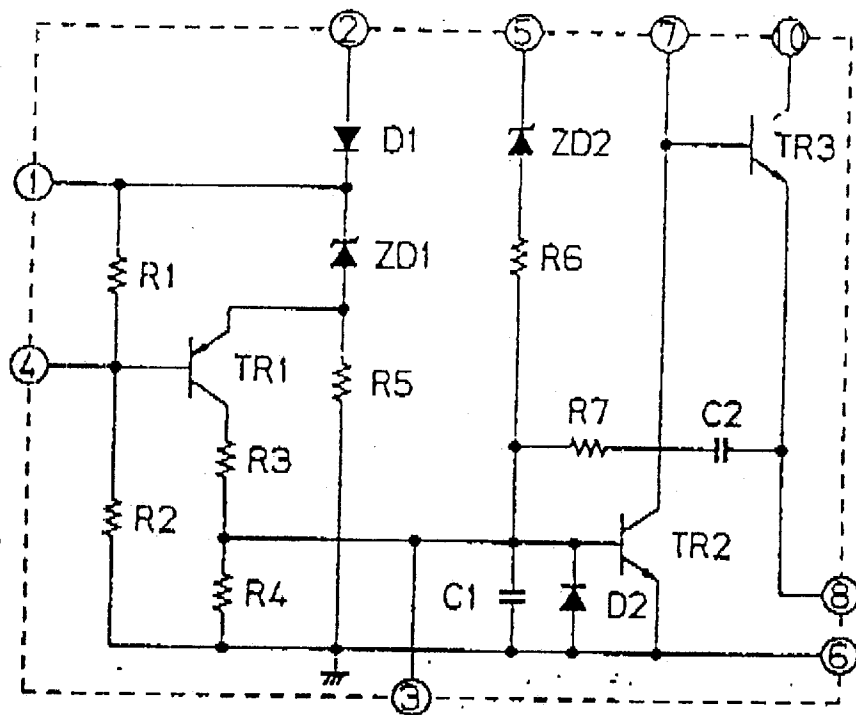
		min	typ	max	unit
Output Voltage Setting	V _{AC} =200V, I _o =0.3A	114	115	116	V
Line Regulation	V _{AC} =170 to 280V, I _o =0.5A		0.4	1.0	V
Load Regulation	V _{AC} =200V, I _o =0.3 to 0.7A		1.5	2.0	V
Input Voltage	V _{AC} =200V, I _o =0.7A		102	105	W
Output Ripple Voltage	V _{AC} =200V, I _o =0.7A		0.4	0.6	V _{pp}
Temperature Coefficient	V _{AC} =200V, I _o =0.7A		7		mV/°C
Light Load Characteristic	V _{AC} =200V, R _L =4.7kohm		125	135	V

SANYO Semiconductor Corporation
 453 Ravendale Drive Suite G
 Mountain View, California 94043
 Tel: 415-960-8582
 Fax: 415-960-8591

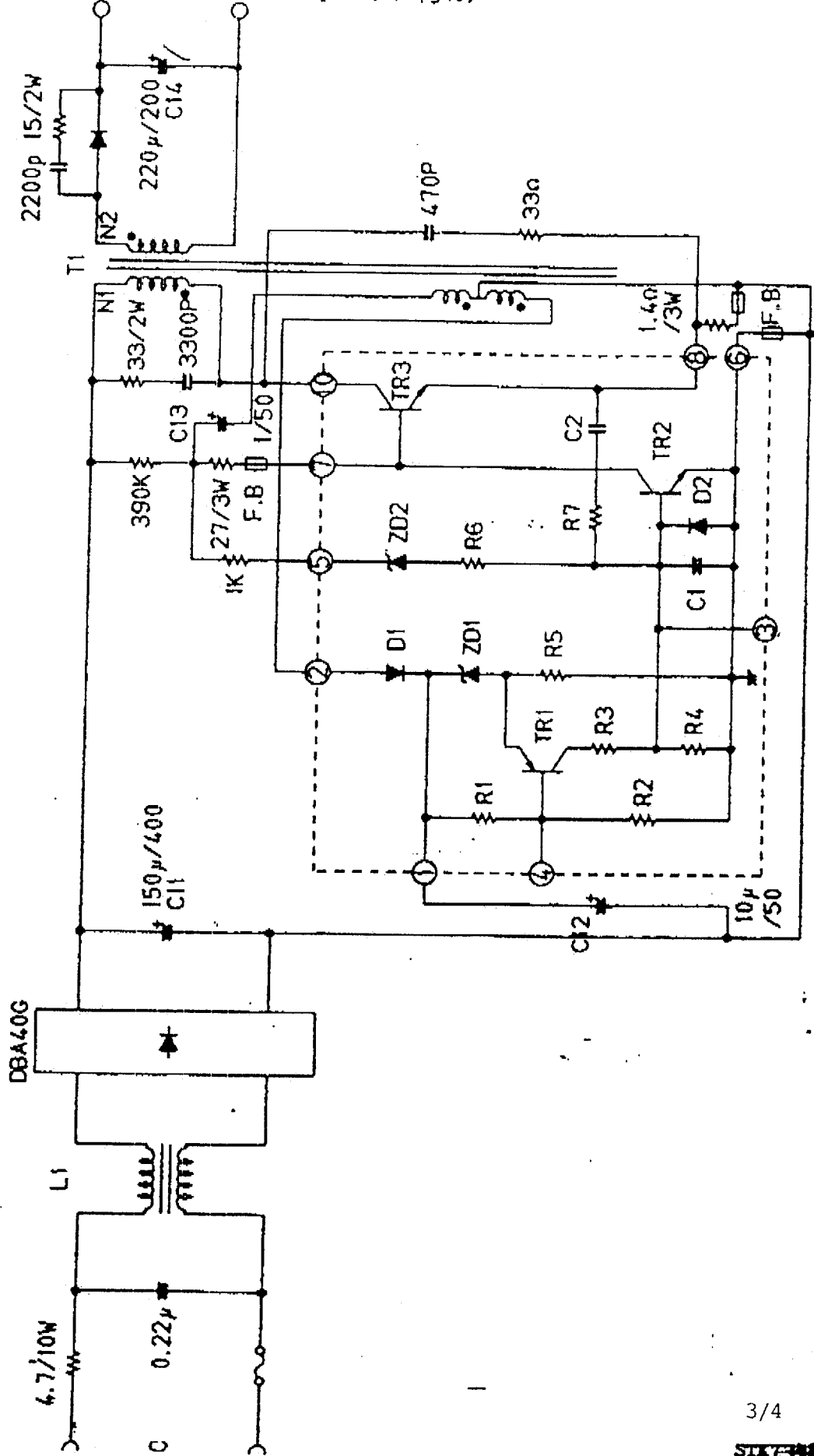
These specifications are subject to change without notice.

Internal Equivalent Circuit (STK7348)

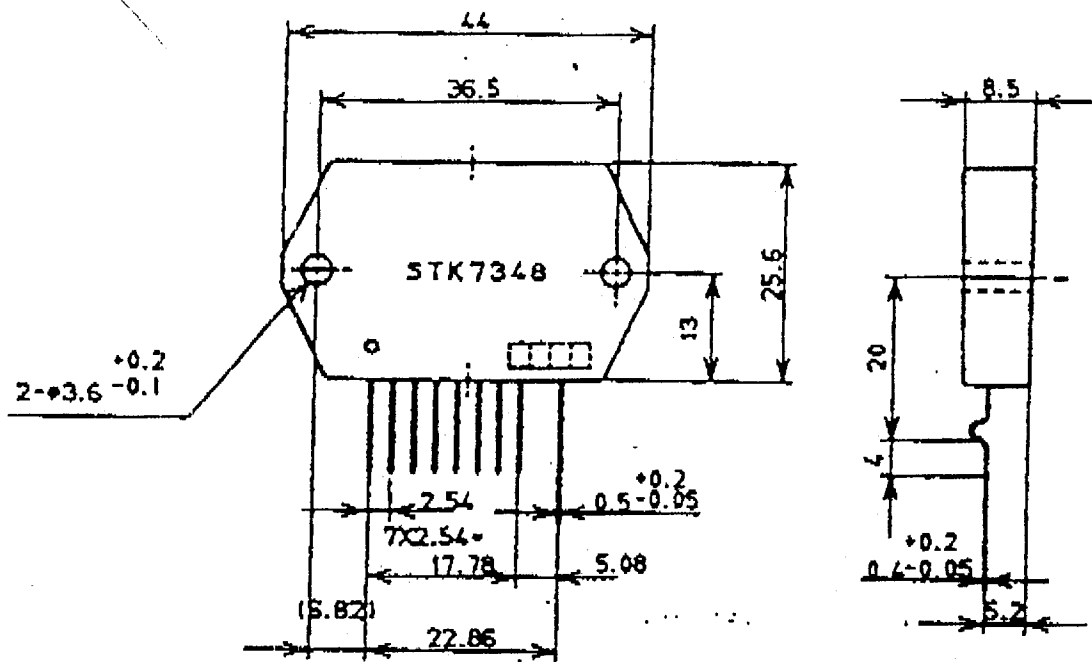
SANYO SEMICONDUCTOR CORP 53E D ■ 7997076 0010198 232 ■ TSAJ T-4281



Application Circuit for AC200V Input (STK7348)



Case Outline unit:mm



This datasheet has been downloaded from:

www.DatasheetCatalog.com

Datasheets for electronic components.