

# DATA SHEET

## **TDA1519B**

**12 W BTL or 2 x 6 W stereo car  
radio power amplifier**

Product specification  
File under Integrated Circuits, IC01

May 1992

# 12 W BTL or 2 x 6 W stereo car radio power amplifier

## TDA1519B

### GENERAL DESCRIPTION

The TDA1519B is an integrated class-B dual output amplifier in a 9-lead single in-line (SIL) plastic medium power package. The device is primarily developed for car radio applications.

### Features

- Requires very few external components for Bridge Tied Load (BTL)
- Stereo or BTL application
- High output power
- Low offset voltage at output (important for BTL)
- Fixed gain
- Good ripple rejection
- Mute/stand-by switch
- Load dump protection
- AC and DC short-circuit-safe to ground and  $V_P$
- Thermally protected
- Reverse polarity safe
- Capability to handle high energy on outputs ( $V_P = 0$  V)
- No switch-on/switch-off pop
- Protected against electrostatic discharge
- Identical inputs (inverting and non-inverting)
- Compatible with TDA1519A (except output power).

### QUICK REFERENCE DATA

PARAMETER	CONDITIONS	SYMBOL	MIN.	TYP.	MAX.	UNIT
Supply voltage range						
operating		$V_P$	6.0	14.4	18.0	V
non-operating		$V_P$	–	–	30	V
load dump protected		$V_P$	–	–	45	V
Repetitive peak output current		$I_{ORM}$	–	–	2.5	A
Total quiescent current		$I_{tot}$	–	40	80	mA
Stand-by current		$I_{sb}$	–	0.1	100	$\mu$ A
Switch-on current		$I_{sw}$	–	–	40	$\mu$ A
Input impedance						
BTL		$ Z_i $	25	–	–	k $\Omega$
stereo		$ Z_i $	50	–	–	k $\Omega$
<b>Stereo application</b>						
Output power	THD = 5%; 4 $\Omega$	$P_o$	–	5	–	W
	THD = 10%; 4 $\Omega$	$P_o$	–	6	–	W
Channel separation		$\alpha$	40	–	–	dB
Noise output voltage		$V_{no(rms)}$	–	150	–	$\mu$ V
<b>BTL application</b>						
Output power	THD = 10%; 8 $\Omega$	$P_o$	–	12	–	W
Supply voltage ripple rejection	$R_S = 0$ $\Omega$					
	f = 100 Hz	RR	34	–	–	dB
	f = 1 kHz to 10 kHz	RR	48	–	–	dB
DC output offset voltage		$ \Delta V_o $	–	–	250	mV
Crystal temperature		$T_c$	–	–	150	$^{\circ}$ C

12 W BTL or 2 x 6 W stereo car radio  
power amplifier

TDA1519B

PACKAGE OUTLINE

9-lead SIL; plastic (SOT110B); SOT110-1; 1996 July 22.

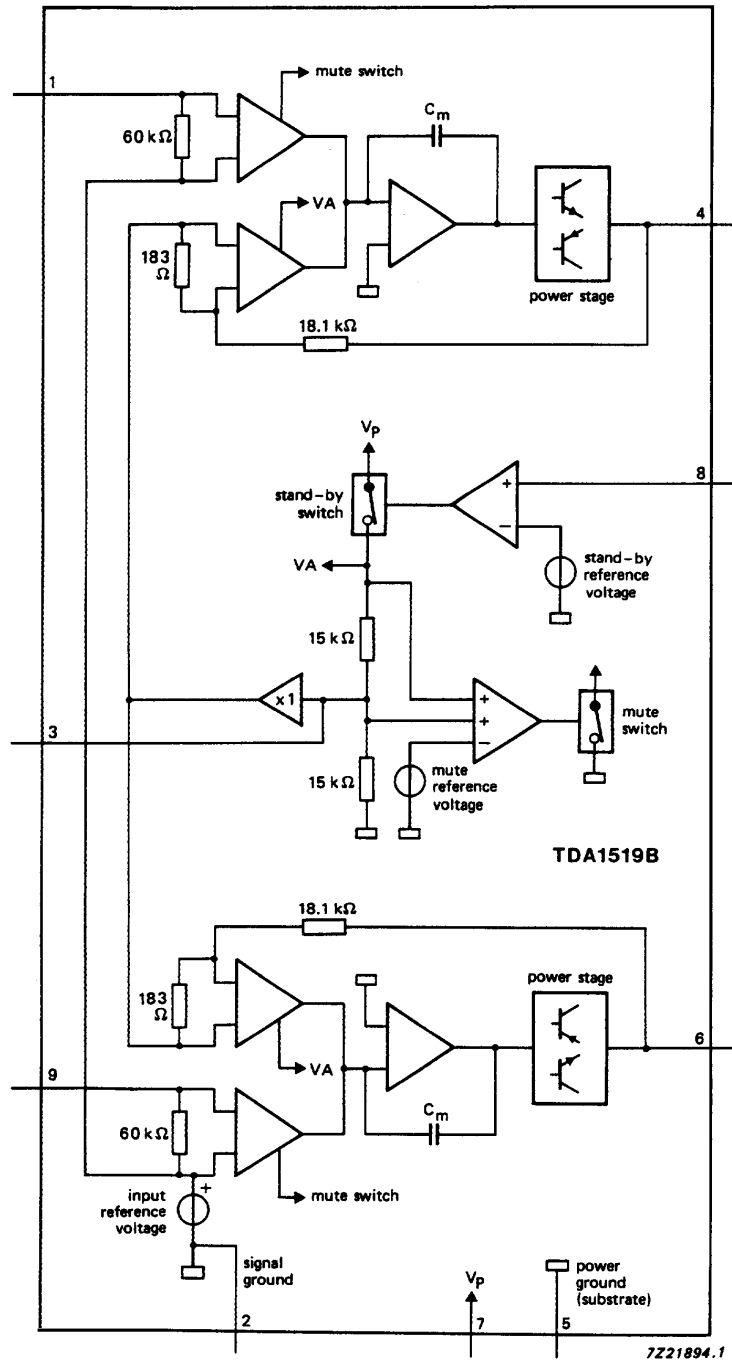


Fig.1 Block diagram.

# 12 W BTL or 2 x 6 W stereo car radio power amplifier

TDA1519B

## PINNING

1	NINV	non-inverting input
2	GND1	ground (signal)
3	RR	supply voltage ripple rejection
4	OUT1	output 1
5	GND2	ground (substrate)
6	OUT2	output 2
7	V <sub>P</sub>	positive supply voltage
8	M/SS	mute/stand-by switch
9	INV	inverting input

## FUNCTIONAL DESCRIPTION

The TDA1519B contains two identical amplifiers with differential input stages. The gain of each amplifier is fixed at 40 dB. A special feature of this device is the mute/stand-by switch which has the following features:

- Low stand-by current (< 100  $\mu$ A)
- Low mute/stand-by switching current (low cost supply switch)
- Mute condition.

## RATINGS

Limiting values in accordance with the Absolute Maximum System (IEC 134)

PARAMETER	CONDITIONS	SYMBOL	MIN.	MAX.	UNIT
Supply voltage					
operating		V <sub>P</sub>	–	18	V
non-operating		V <sub>P</sub>	–	30	V
load dump protected	during 50 ms; t <sub>r</sub> ≥ 2.5 ms	V <sub>P</sub>	–	45	V
AC and DC short-circuit-safe					
voltage		V <sub>PSC</sub>	–	18	V
Reverse polarity		V <sub>PR</sub>	–	6	V
Energy handling capability					
at outputs	V <sub>P</sub> = 0 V		–	200	mJ
Non-repetitive peak output current		I <sub>OSM</sub>	–	4	A
Repetitive peak output current		I <sub>ORM</sub>	–	2.5	A
Total power dissipation	see Fig.2	P <sub>tot</sub>	–	15	W
Crystal temperature		T <sub>c</sub>	–	150	°C
Storage temperature range		T <sub>stg</sub>	–55	+150	°C

12 W BTL or 2 x 6 W stereo car radio power amplifier

TDA1519B

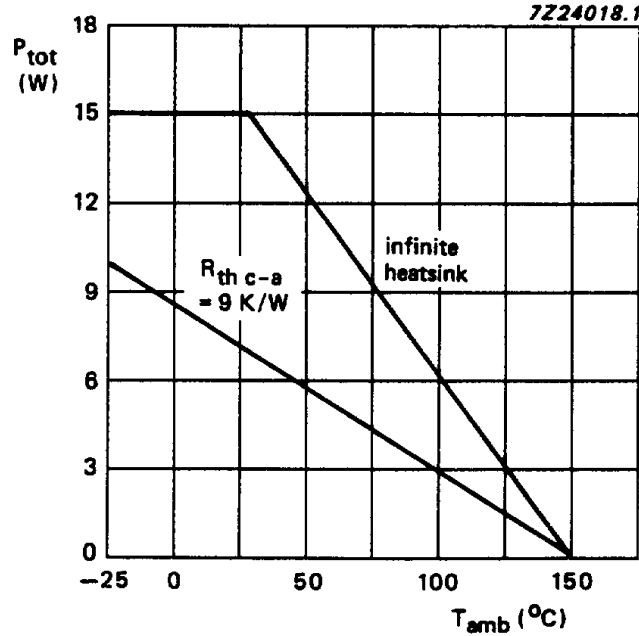


Fig.2 Power derating curve.

DC CHARACTERISTICS

$V_P = 14.4$  V;  $T_{amb} = 25$  °C; measurements taken using Fig.3; unless otherwise specified

PARAMETER	CONDITIONS	SYMBOL	MIN.	TYP.	MAX.	UNIT
<b>Supply</b>						
Supply voltage range	note 1	$V_P$	6.0	14.4	18.0	V
Total quiescent current		$I_{tot}$	—	40	80	mA
DC output voltage	note 2	$V_O$	—	6.95	—	V
DC output offset voltage		$ \Delta V_{4-6} $	—	—	250	mV
<b>Mute/stand-by switch</b>						
Switch-on voltage level		$V_{ON}$	8.5	—	—	V
<b>Mute condition</b>		$V_{mute}$	3.3	—	6.4	V
Output signal in mute position	$V_I = 1$ V (max.); $f = 20$ Hz to 15 kHz	$V_O$	—	—	20	mV
DC output offset voltage		$ \Delta V_{4-6} $	—	—	250	mV
<b>Stand-by condition</b>						
DC current in stand-by condition		$I_{sb}$	—	—	100	$\mu$ A
Switch-on current		$I_{sw}$	—	12	40	$\mu$ A

# 12 W BTL or 2 x 6 W stereo car radio power amplifier

TDA1519B

**AC CHARACTERISTICS**

$V_P = 14.4$  V;  $R_L = 4$   $\Omega$ ;  $f = 1$  kHz;  $T_{amb} = 25$  °C; measurements taken using Fig.3; unless otherwise specified

PARAMETER	CONDITIONS	SYMBOL	MIN.	TYP.	MAX.	UNIT
<b>Stereo application</b>						
Output power	note 3					
	THD = 0.5%	$P_o$	4	5	–	W
	THD = 10%	$P_o$	5.5	6.0	–	W
Output power at $V_P = 13.2$ V	note 3					
	THD = 0.5%	$P_o$	–	3.5	–	W
	THD = 10%	$P_o$	–	4.8	–	W
Total harmonic distortion	$P_o = 1$ W	THD	–	0.1	–	%
Low frequency roll-off	note 4					
	–3 dB	$f_L$	–	45	–	Hz
High frequency roll-off	–1 dB	$f_H$	20	–	–	kHz
Closed loop voltage gain		$G_v$	39	40	41	dB
Supply voltage ripple rejection						
ON	notes 5 and 6	RR	40	–	–	dB
ON	notes 5 and 7	RR	45	–	–	dB
mute	notes 5, 6 and 7	RR	45	–	–	dB
stand-by	notes 5, 6 and 7	RR	80	–	–	dB
Input impedance		$ Z_i $	50	60	75	k $\Omega$
Noise output voltage (RMS value)	note 8					
ON	$R_S = 0$ $\Omega$	$V_{no(rms)}$	–	150	–	$\mu$ V
ON	$R_S = 10$ k $\Omega$	$V_{no(rms)}$	–	250	500	$\mu$ V
mute	note 9	$V_{no(rms)}$	–	120	–	$\mu$ V
Channel separation	$R_S = 10$ k $\Omega$	$\alpha$	40	–	–	dB
Channel unbalance		$ \Delta G_v $	–	0.1	1	dB

# 12 W BTL or 2 x 6 W stereo car radio power amplifier

TDA1519B

**AC CHARACTERISTICS**
 $V_P = 14.4\text{ V}$ ;  $R_L = 8\ \Omega$ ;  $f = 1\text{ kHz}$ ;  $T_{\text{amb}} = 25\text{ }^\circ\text{C}$ ; measurements taken using Fig.4; unless otherwise specified

PARAMETER	CONDITIONS	SYMBOL	MIN.	TYP.	MAX.	UNIT
<b>BTL application</b>						
Output power	note 3					
	THD = 0.5%	$P_o$	8	10	–	W
	THD = 10%	$P_o$	11	12	–	W
Output power at $V_P = 13.2\text{ V}$	note 3					
	THD = 0.5%	$P_o$	–	7.5	–	W
	THD = 10%	$P_o$	–	10	–	W
Total harmonic distortion	$P_o = 1\text{ W}$	THD	–	0.1	–	%
Power bandwidth	THD = 0.5%; $P_o = -1\text{ dB}$ ; w.r.t. 15 W	$B_w$	–	35 to 15 000	–	Hz
Low frequency roll-off	note 4					
	-1 dB	$f_L$	–	45	–	Hz
High frequency roll-off	-1 dB	$f_H$	20	–	–	kHz
Closed loop voltage gain		$G_v$	45	46	47	dB
Supply voltage ripple rejection						
ON	notes 5 and 6	RR	34	–	–	dB
ON	notes 5 and 7	RR	48	–	–	dB
mute	notes 5, 6 and 7	RR	48	–	–	dB
stand-by	notes 5, 6 and 7	RR	80	–	–	dB
Input impedance		$ Z_i $	25	30	38	$k\Omega$
Noise output voltage (RMS value)	note 8					
ON	$R_S = 0\ \Omega$	$V_{\text{no(rms)}}$	–	200	–	$\mu\text{V}$
ON	$R_S = 10\ k\Omega$	$V_{\text{no(rms)}}$	–	350	700	$\mu\text{V}$
mute	note 9	$V_{\text{no(rms)}}$	–	180	–	$\mu\text{V}$

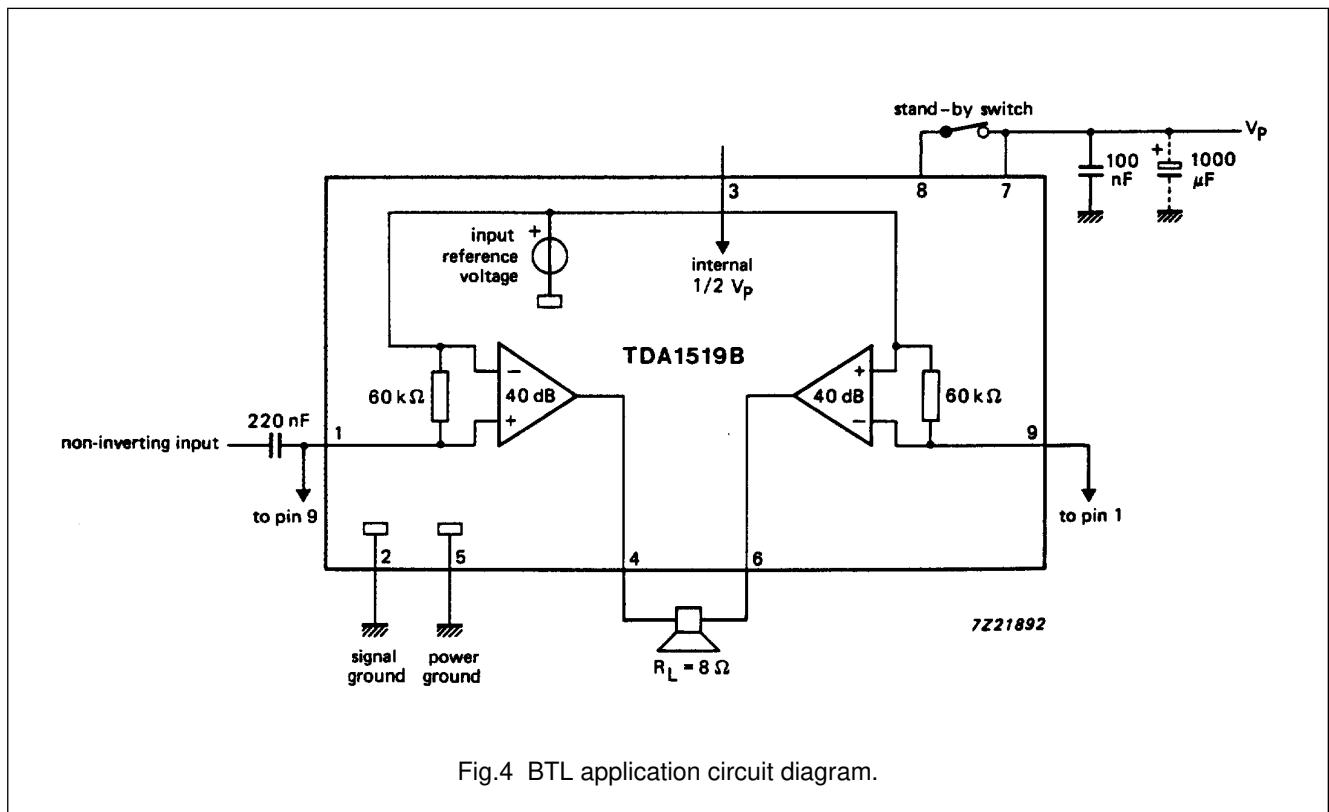
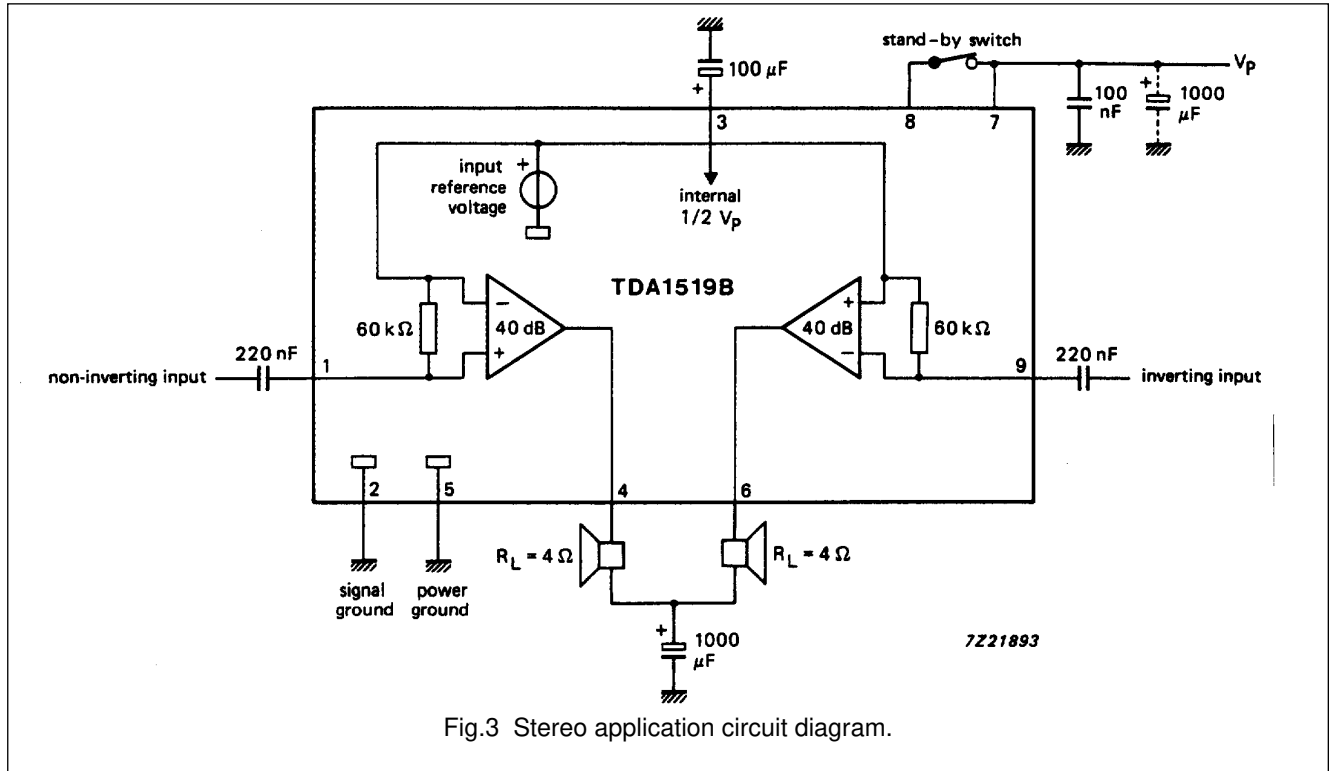
**Notes to the characteristics**

- The circuit is DC adjusted at  $V_P = 6\text{ V}$  to  $18\text{ V}$  and AC operating at  $V_P = 8.5\text{ V}$  to  $18\text{ V}$ .
- At  $18\text{ V} < V_P < 30\text{ V}$  the DC output voltage  $\leq V_P/2$ .
- Output power is measured directly at the output pins of the IC.
- Frequency response externally fixed.
- Ripple rejection measured at the output with a source impedance of  $0\ \Omega$  (maximum ripple amplitude of  $2\text{ V}$ ).
- Frequency  $f = 100\text{ Hz}$ .
- Frequency between  $1\text{ kHz}$  and  $10\text{ kHz}$ .
- Noise voltage measured in a bandwidth to  $20\text{ Hz}$  to  $20\text{ kHz}$ .
- Noise output voltage independent of  $R_S$  ( $V_I = 0\text{ V}$ ).

12 W BTL or 2 x 6 W stereo car radio  
power amplifier

TDA1519B

APPLICATION INFORMATION





12 W BTL or 2 x 6 W stereo car radio  
power amplifier

TDA1519B

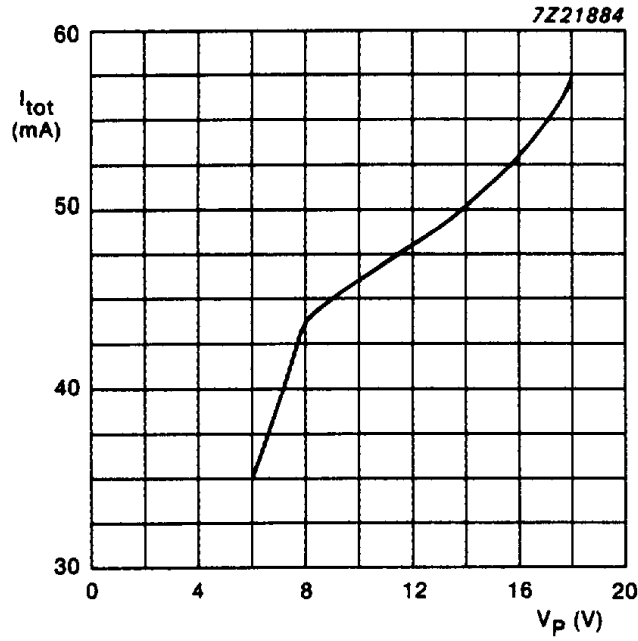


Fig.5 Total quiescent current ( $I_{tot}$ ) as a function of supply voltage ( $V_P$ ).

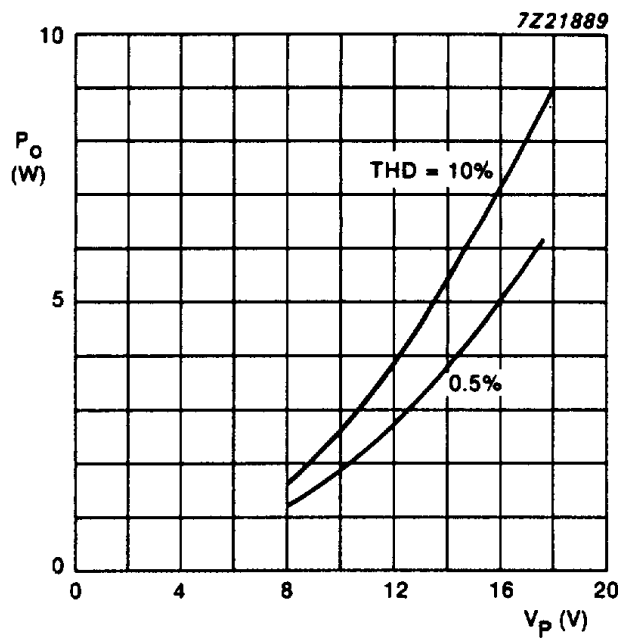


Fig.6 Output power ( $P_o$ ) as a function of supply voltage ( $V_P$ ) for stereo application at  $R_L = 4 \Omega$ ,  $f = 1 \text{ kHz}$ .

12 W BTL or 2 x 6 W stereo car radio  
power amplifier

TDA1519B

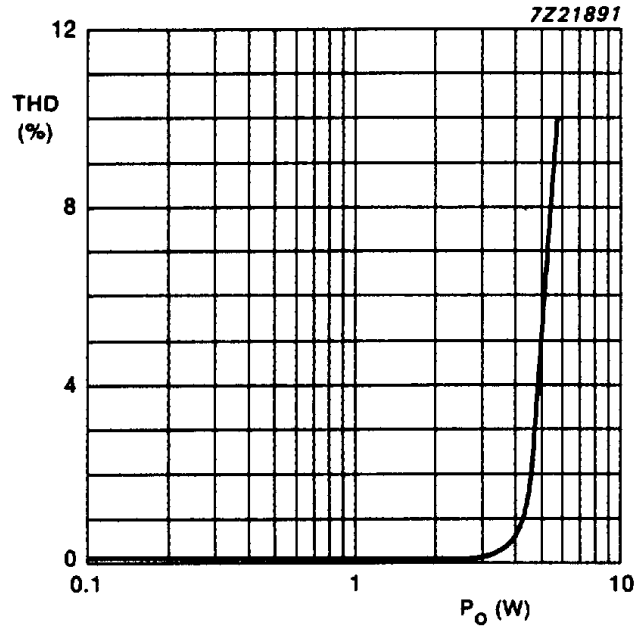


Fig.7 Total harmonic distortion (THD) as a function of output power ( $P_o$ ) for stereo application at  $R_L = 4 \Omega$ ,  $f = 1$  kHz.

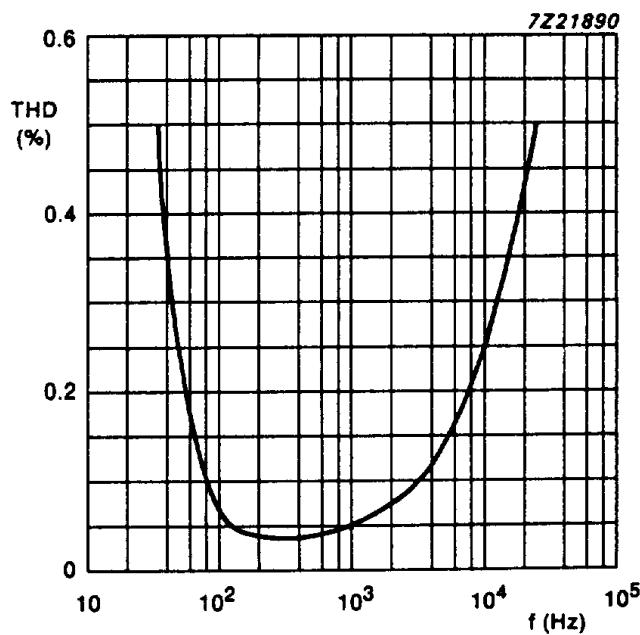


Fig.8 Total harmonic distortion (THD) as a function of operating frequency ( $f$ ) for stereo application at  $R_L = 4 \Omega$ ,  $P_o = 1$  W.

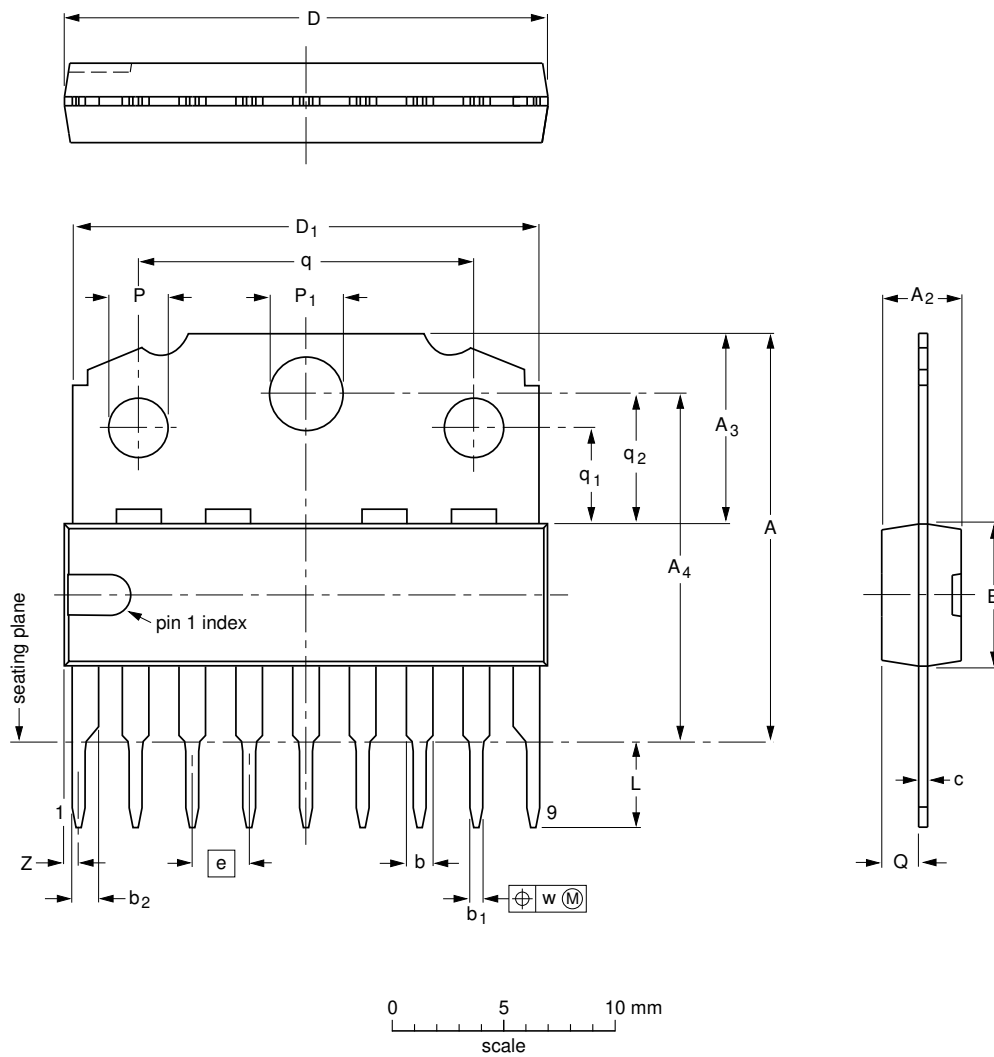
12 W BTL or 2 x 6 W stereo car radio  
power amplifier

TDA1519B

PACKAGE OUTLINE

SIL9MPF: plastic single in-line medium power package with fin; 9 leads

SOT110-1



DIMENSIONS (mm are the original dimensions)

UNIT	A	A <sub>2</sub> max.	A <sub>3</sub>	A <sub>4</sub>	b	b <sub>1</sub>	b <sub>2</sub>	c	D <sup>(1)</sup>	D <sub>1</sub>	E <sup>(1)</sup>	e	L	P	P <sub>1</sub>	Q	q	q <sub>1</sub>	q <sub>2</sub>	w	Z <sup>(1)</sup> max.
mm	18.5 17.8	3.7	8.7 8.0	15.8 15.4	1.40 1.14	0.67 0.50	1.40 1.14	0.48 0.38	21.8 21.4	21.4 20.7	6.48 6.20	2.54	3.9 3.4	2.75 2.50	3.4 3.2	1.75 1.55	15.1 14.9	4.4 4.2	5.9 5.7	0.25	1.0

Note

1. Plastic or metal protrusions of 0.25 mm maximum per side are not included.

OUTLINE VERSION	REFERENCES				EUROPEAN PROJECTION	ISSUE DATE
	IEC	JEDEC	EIAJ			
SOT110-1						92-11-17 95-02-25

# 12 W BTL or 2 x 6 W stereo car radio power amplifier

TDA1519B

## SOLDERING

### Introduction

There is no soldering method that is ideal for all IC packages. Wave soldering is often preferred when through-hole and surface mounted components are mixed on one printed-circuit board. However, wave soldering is not always suitable for surface mounted ICs, or for printed-circuits with high population densities. In these situations reflow soldering is often used.

This text gives a very brief insight to a complex technology. A more in-depth account of soldering ICs can be found in our "IC Package Databook" (order code 9398 652 90011).

### Soldering by dipping or by wave

The maximum permissible temperature of the solder is 260 °C; solder at this temperature must not be in contact with the joint for more than 5 seconds. The total contact time of successive solder waves must not exceed 5 seconds.

The device may be mounted up to the seating plane, but the temperature of the plastic body must not exceed the specified maximum storage temperature ( $T_{stg\ max}$ ). If the printed-circuit board has been pre-heated, forced cooling may be necessary immediately after soldering to keep the temperature within the permissible limit.

### Repairing soldered joints

Apply a low voltage soldering iron (less than 24 V) to the lead(s) of the package, below the seating plane or not more than 2 mm above it. If the temperature of the soldering iron bit is less than 300 °C it may remain in contact for up to 10 seconds. If the bit temperature is between 300 and 400 °C, contact may be up to 5 seconds.

## DEFINITIONS

Data sheet status	
Objective specification	This data sheet contains target or goal specifications for product development.
Preliminary specification	This data sheet contains preliminary data; supplementary data may be published later.
Product specification	This data sheet contains final product specifications.
Limiting values	
Limiting values given are in accordance with the Absolute Maximum Rating System (IEC 134). Stress above one or more of the limiting values may cause permanent damage to the device. These are stress ratings only and operation of the device at these or at any other conditions above those given in the Characteristics sections of the specification is not implied. Exposure to limiting values for extended periods may affect device reliability.	
Application information	
Where application information is given, it is advisory and does not form part of the specification.	

## LIFE SUPPORT APPLICATIONS

These products are not designed for use in life support appliances, devices, or systems where malfunction of these products can reasonably be expected to result in personal injury. Philips customers using or selling these products for use in such applications do so at their own risk and agree to fully indemnify Philips for any damages resulting from such improper use or sale.

This datasheet has been download from:

[www.datasheetcatalog.com](http://www.datasheetcatalog.com)

Datasheets for electronics components.