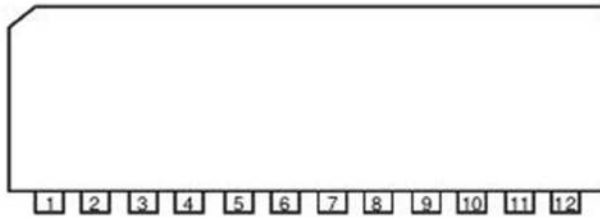
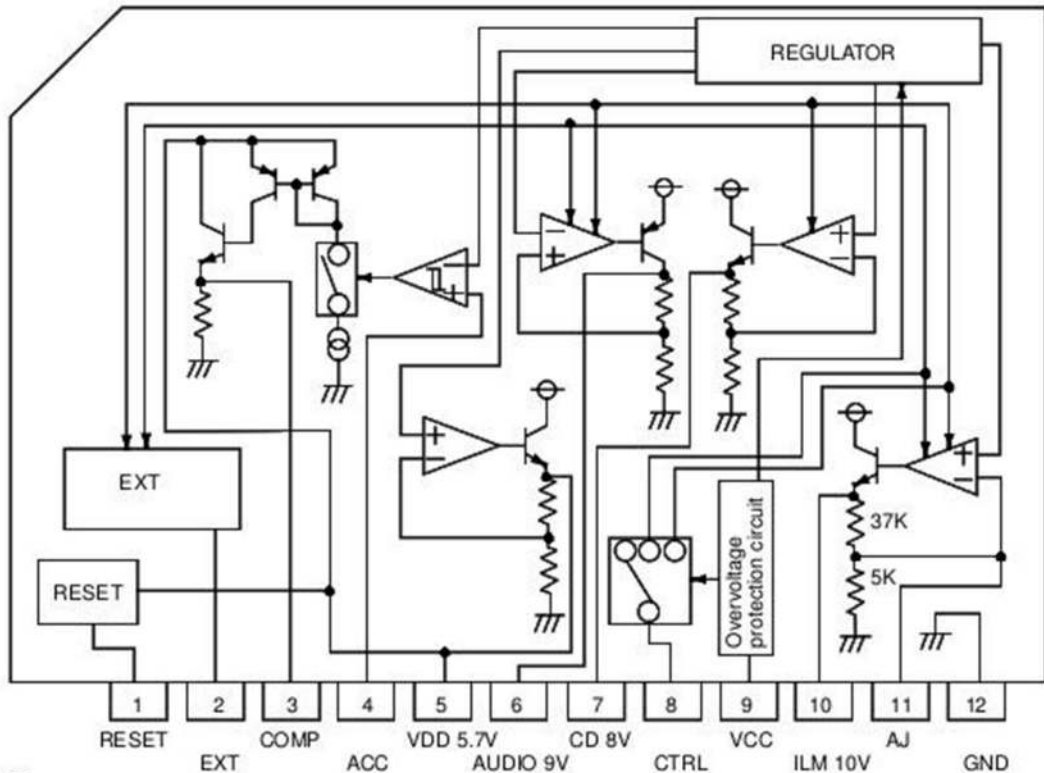


■ BA4905-V3 Regulator

Pin layout



Block diagram



Pin function

| Pin no. | Symbol | Function |
|---------|--------------|--|
| 1 | RESET | If VDD voltage becomes 4V or less. RESET output becomes low level. |
| 2 | EXT output | This output voltage is approximately 0.5V lower than VCC. and max output current is 300mA. |
| 3 | COMP output | A voltage supply for ACC block. This output voltage is approximately 0.7V lower than VDD'S. The max output current is 100mA. |
| 4 | ACC | Control of the COMP output by inputting voltage. |
| 5 | VDD output | This output voltage is 5.7V, and max output current is 100mA. This voltage supply is for microcomputer. Whenever back up voltage supply is connected, the output keeps on running. |
| 6 | AUDIO output | This output voltage is 9.0v, and max output current is 500mA. This voltage supply for AUDIO. |
| 7 | CD output | This output voltage is 8.0V, and max output current is 1A. This voltage supply for CD. |
| 8 | CTRL | Output selector of CD. AUDIO, ILM and EXT. |
| 9 | VCC | To be connected with the BACK UP of car. |
| 10 | ILM output | This output voltage is 10V, and max output current is 500mA. Output voltage is adjustable. |
| 11 | AJ | Putting a resistance between ILM and AJ or between AJ and GND makes ILM output voltage adjustable. |
| 12 | GND | Ground. |