

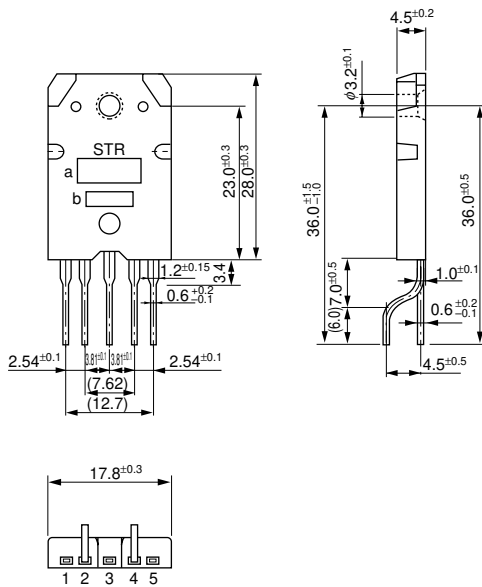
■Voltage Doubler/Bridge Rectifier Automatic Switch ICs

Part No.	Absolute Maximum Ratings (T _a =25°C)					Electrical Characteristics (T _a =25°C)					Remarks
	Repetitive Peak Off-state Voltage V _{DRM} (V)	RMS On-state Current I _T (RMS)(A)	Surge On-state Current I _{TSM} (A)	Operating Temperature T _{OP} (°C)	Storage Temperature T _{stg} (°C)	Voltage Doubler Function Turn-on Voltage V _s (V)	Setting Switchover Voltage		OFF-state Current I _{DRM} (μA)	ON-state Voltage V _{TH} (V)	
							V _{C1} (V)	V _{C2} (VAC)*			
STR80145A	500	5.0	50	-10 to +100(T _c)	-30 to +125	AC80 max	196±5	145	100 max	1.8 max	
81145A		10.0	100				215±5	159			
81159A											
STR82145	500	5.0	50	-20 to +100(T _c)	-40 to +125	DC100 max	205±5	145	100 max	1.8 max	
83145		10.0	100				225±5	159			
83159											

*Reference value

■External Dimensions

(unit: mm)



This datasheet has been downloaded from:

www.DatasheetCatalog.com

Datasheets for electronic components.