



No. 1475

LA7520, 7521

Monolithic Linear Integrated Circuit  
(VIF + SIF) CIRCUIT FOR TV,  
VTR APPLICATIONS

The LA7520 is an IC containing the VIF section and SIF section on a single chip in the DIP30S package (equivalent to the DIP22 package heretofore in use) of shrink type. Since the LA7520 is capable of performing video detection and sound detection independently or simultaneously, it can be applied to various sets from popular type to high-grade type according to the designer's policy. The LA7521 is an IC designed to meet diversified specifications for tuners and is different from the LA7520 in maximum RF AGC voltage [V<sub>13H</sub>]. Further, when a coil is used in the FM detector, the detection output voltage can be made high because the LA7521 has a high FM detector input impedance.

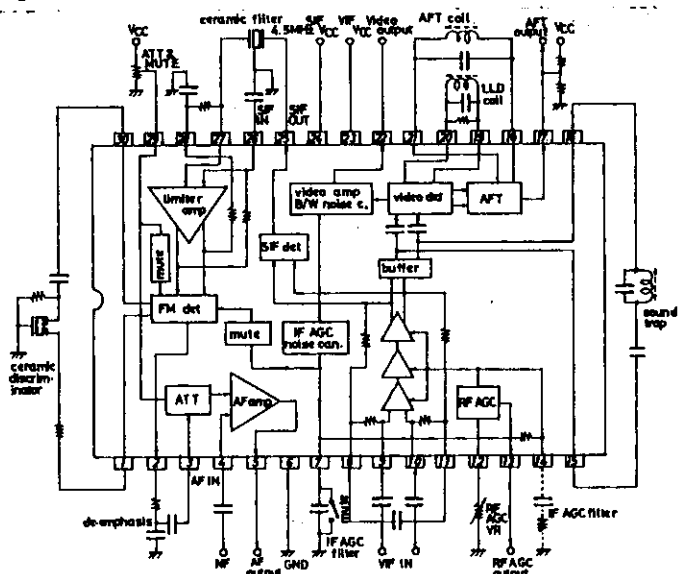
**Functions**

VIF section: VIF AMP, VIDEO DET, PEAK IF AGC, B/W NOISE-CANCELLER, RF AGC, AFT, SIF DET  
SIF section: SIF LIMITER AMP, FM DET, DC ATT, AF DRIVER

**Features**

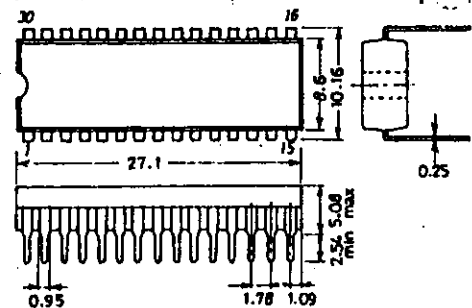
1. High-gain VIF amp requiring no preamp.
2. High AGC speed.
3. Provides wide-band detection characteristic and meets sound MPX demodulation requirements because of FM detection being quadrature detection.
4. Possible to use sound REC pin (pin 2), AUX pin (pin 3).
5. Possible to mute video, sound for VTR.  
Pin 7 GND : Muting of both video and sound  
Pin 29 GND : Muting of sound only

**Equivalent Circuit**



Information furnished by SANYO is believed to be accurate and reliable. However, no responsibility is assumed by SANYO for its use; nor for any infringements of patents or other rights of third parties which may result from its use, and no license is granted by implication or otherwise under any patent or patent rights of SANYO.

**Case Outline, 3047**  
(unit: mm)



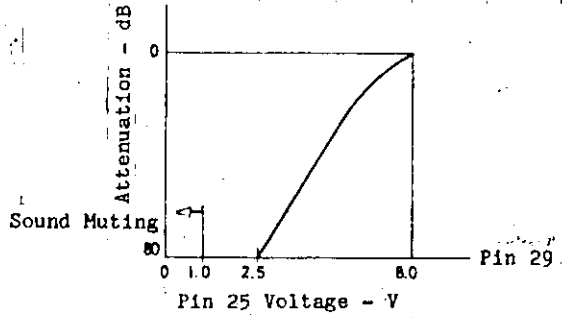
These specifications are subject to change without notice.

TOKYO SANYO ELECTRIC CO. LTD SEMICONDUCTOR DIVISION  
15-13 6 CHOME, SOTOKANDA, CHIYODA-KU, TOKYO 101 JAPAN

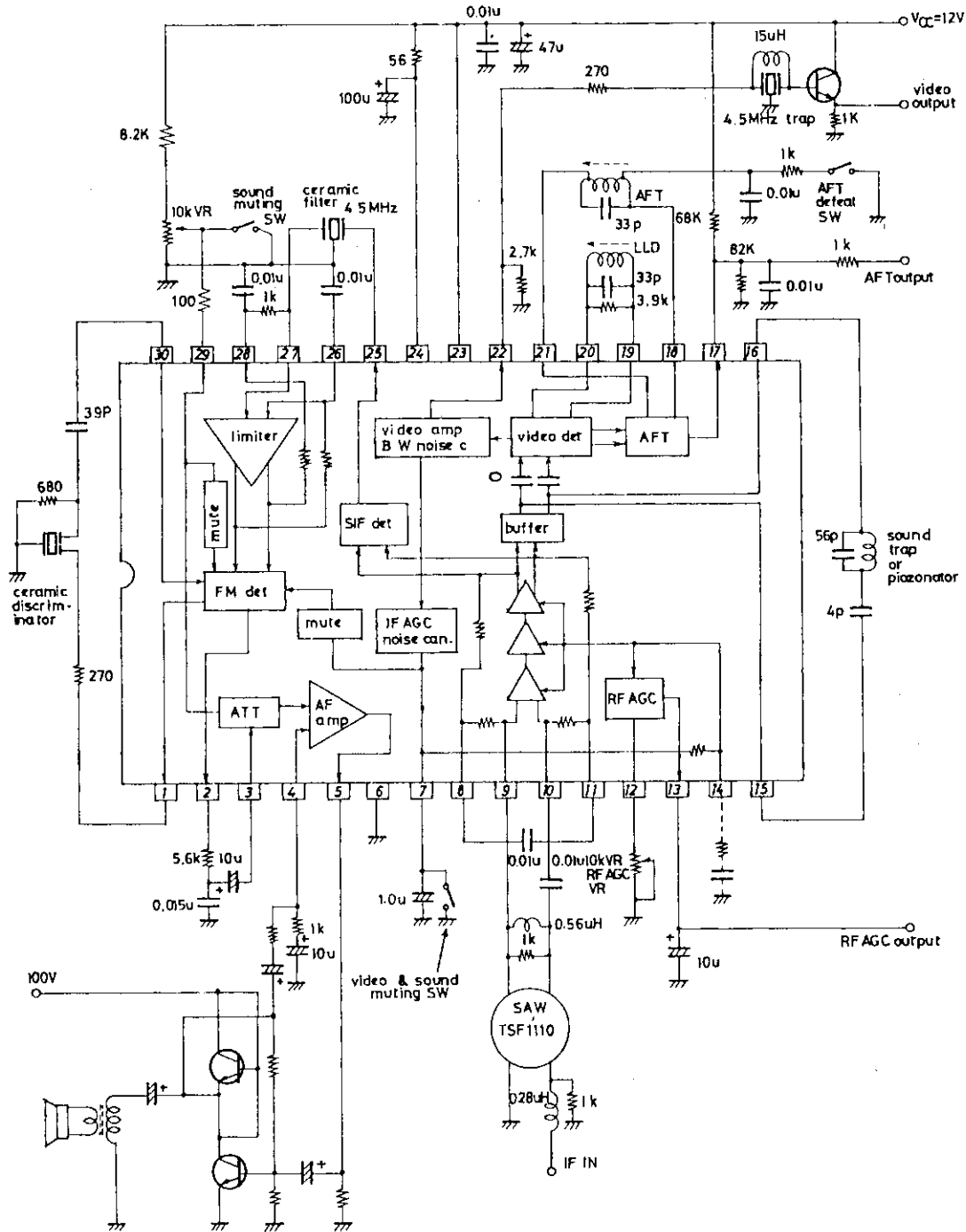
(Note) FM detector input impedance (pin 30)

LA7520 ----- 2kohm  
 LA7521 ----- 4.9kohm

Electronic Volume Control Characteristic



Sample Application Circuit (JAPAN)



This datasheet has been download from:

[www.datasheetcatalog.com](http://www.datasheetcatalog.com)

Datasheets for electronics components.