

RoHS Compliant Optional

# CSX-532T

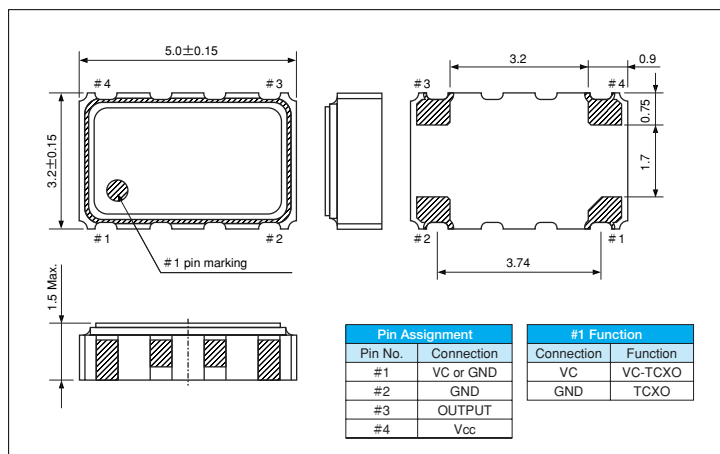
2000pcs/reel



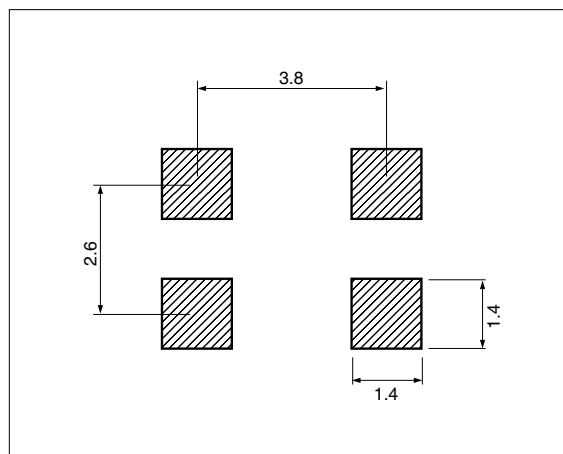
## FEATURES

- With the function of frequency and voltage control .
- Available in 2.4V low voltage drive.
- Low current consumption.
- Automatic mounting and reflowable Type.
- Most appropriate for Cellular phone, GPS and other equipment with telecommunication devices.

## DIMENSION [mm]



## SOLDER PAD LAYOUT [mm]



## STANDARD SPECIFICATIONS

| Item                        | Model            | CSX-532T   |         |  |            |
|-----------------------------|------------------|--|---------|--|------------|
|                             |                  | 12.8MHz , 13.0MHz  | 14.4MHz | 16.8MHz , 19.2MHz , 19.68MHz , 19.8MHz | 26.0MHz    |
| Nominal Frequency           | $f_0$            |  |         |  |            |
| Frequency Stability         | $\Delta f/f_0$   | $\pm 2.5\text{ppm} / (-30^\circ\text{C} \sim +75^\circ\text{C})$           |         |  |            |
| Operating Temperature Range | $T_{\text{OPR}}$ | $-30^\circ\text{C} \sim +75^\circ\text{C}$                                 |         |  |            |
| Storage Temperature Range   | $T_{\text{STR}}$ | $-40^\circ\text{C} \sim +85^\circ\text{C}$                                 |         |  |            |
| Supply Voltage              | $V_{\text{dd}}$  | $2.4\text{V} \sim 3.0\text{V}$   |         |  |            |
| Frequency adjustment range  | $\Delta f_c$     | $\pm 8\text{ppm Min.} / (V_{\text{cont}}=V_{\text{dd}}/2 \pm 1.0\text{V})$ |         |  |            |
| Current consumption         | $I_{\text{dd}}$  | 1.0mA Max.   |         | 1.2mA Max.                             | 1.5mA Max. |
| Output Voltage              | $V_{\text{OUT}}$ | 0.8Vp-p Min. (10k $\Omega$ /10pF)  |         |  |            |
| Start-up time               | $T_{\text{ST}}$  | 5.0 msec Max.  |         | 3.5 msec Max.                          |            |
| Aging (first year)          | $F_A$            | $\pm 1.0\text{ppm} / \text{year Max.}$                                     |         |  |            |