

Precision Devices, Inc.



8840 N. Greenview Dr.
 Middleton, WI 53562
 Phone: 608-831-4445
 1-800-274-XTAL
 Fax: 608-831-3343



Visit our web site at www.pdixtal.com Sales Information sales@pdixtal.com

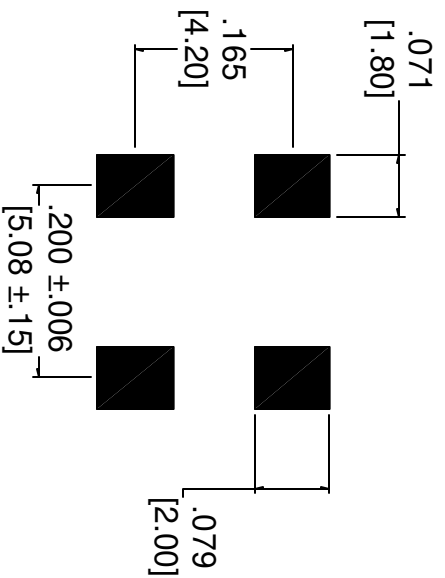
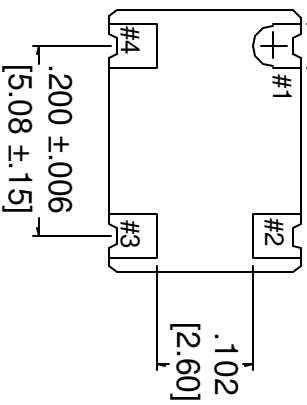
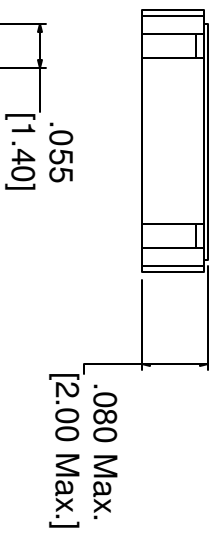
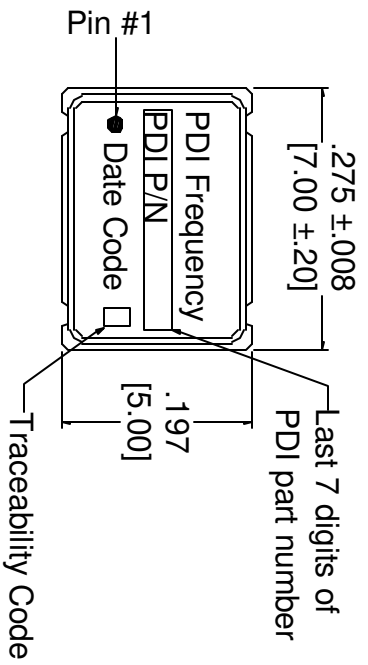
Electrical Specifications

1. Center Frequency (Fo): 44.928000 MHz
2. Output: Squarewave
3. Frequency Tolerance @ 25°C: ±50ppm (All Inclusive)
4. Operating Temperature Range (w/o Loss of Function): 0°C to +70°C
5. Frequency Stability over Temperature: ±20ppm
6. Storage Temperature Range: 0°C to +70°C
7. Duty Cycle: Symmetry 45% minimum, 55% maximum (Load 30pf, 10%-90% Waveform)
8. Output Rise Time: 5.0nSec maximum (Load 30pf, 10%-90% of Waveform)
 Output Fall Time: 5.0nSec maximum (Load 30pf, 10%-90% of Waveform)
9. Current Drain: 40mA maximum
10. Aging: ±5ppm/10 years
11. Supply Voltage: +3.3Vdc ±10%
12. Jitter: 50ppm pSec. maximum
13. Warp Range (w.r.t. Fo): ±0ppm to ±25ppm
14. Start-Up Time: 10mSec maximum
15. Output Amplitude: Voh=Vcc-0.5maximum,
 Vol=0.5 minimum-0.4 maximum
 Capacitance Load: 30pf

Note: Additional Electrical Specifications Per Customer Drawing: 48R86753HXX

The information contained in this drawing is the sole property of Precision Devices Inc. Any reproduction in part or as a whole without the written permission of Precision Devices Inc. is prohibited.

REV.	DATE	PAGE	DESCRIPTION	Auth.	ECN	FOR PRELIMINARY USE ONLY			
						Specifications subject to change without notice.			
						TITLE Crystal Clock Oscillator Assembly		FKA 6302	
						PART NUMBER OC7E44928XCCAXX			
						DATE 3/5/07	SCALE N.T.S.	ECN. N/A	REV. N/A
						SIZE A	CAGE OS4G1	Page 1 of 2	



Recommended Land Pattern



PIN	Connection
1	Enable/Disable
2	Ground
3	Output
4	Vcc

Precision Devices Inc.

8840 N. Greenview Dr.
Middleton WI 53562
608-831-4445
1-800-274-XTAL

Manufacturer of Quartz Crystal Products

DECIMAL XX±.020 XXX±.008	DWG FILE 6302	PART NUMBER OC7E44928XCAXX
METRIC XX±.50 XXX±.20	SCALE N.T.S.	FREQUENCY 44.928 Mhz
ANGULAR XX±2°	DRAWING TYPE Crystal Clock Oscillator Assembly	DATE 3/5/07
	REV. LEVEL N/A	ECN NO. N/A
		CAGE CODE OS4G1