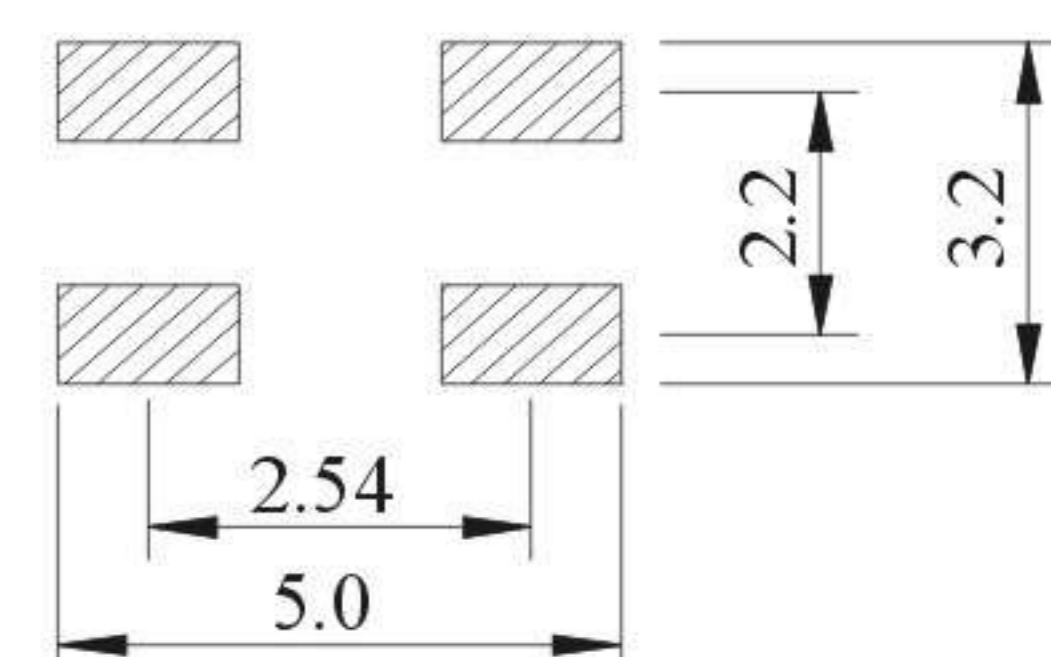
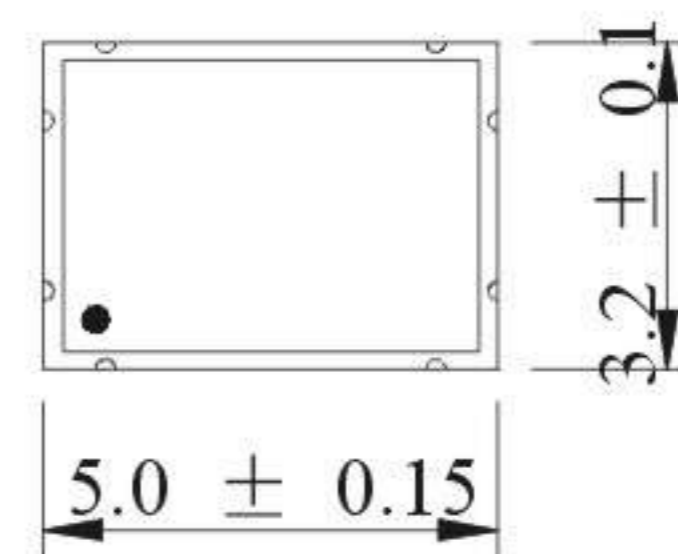
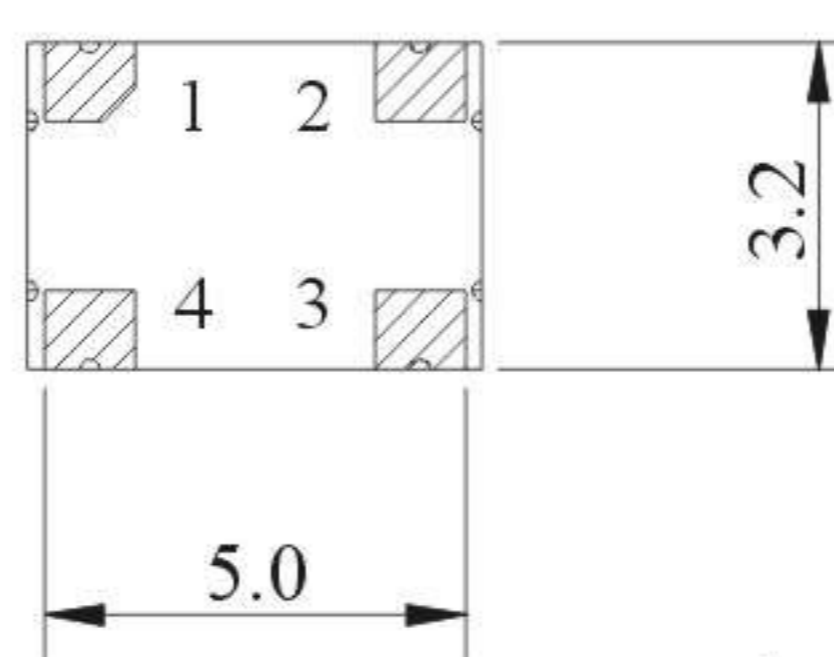
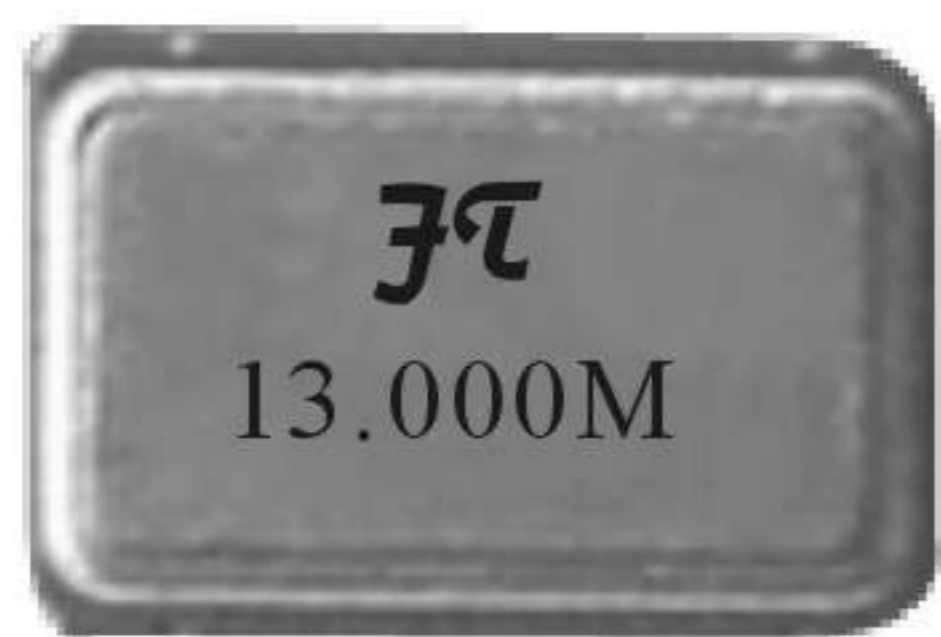


CLOCK OSCILLATOR
钟控振荡器
FTO531S TYPE
DIMENSIONS(Unit:mm) 外形尺寸

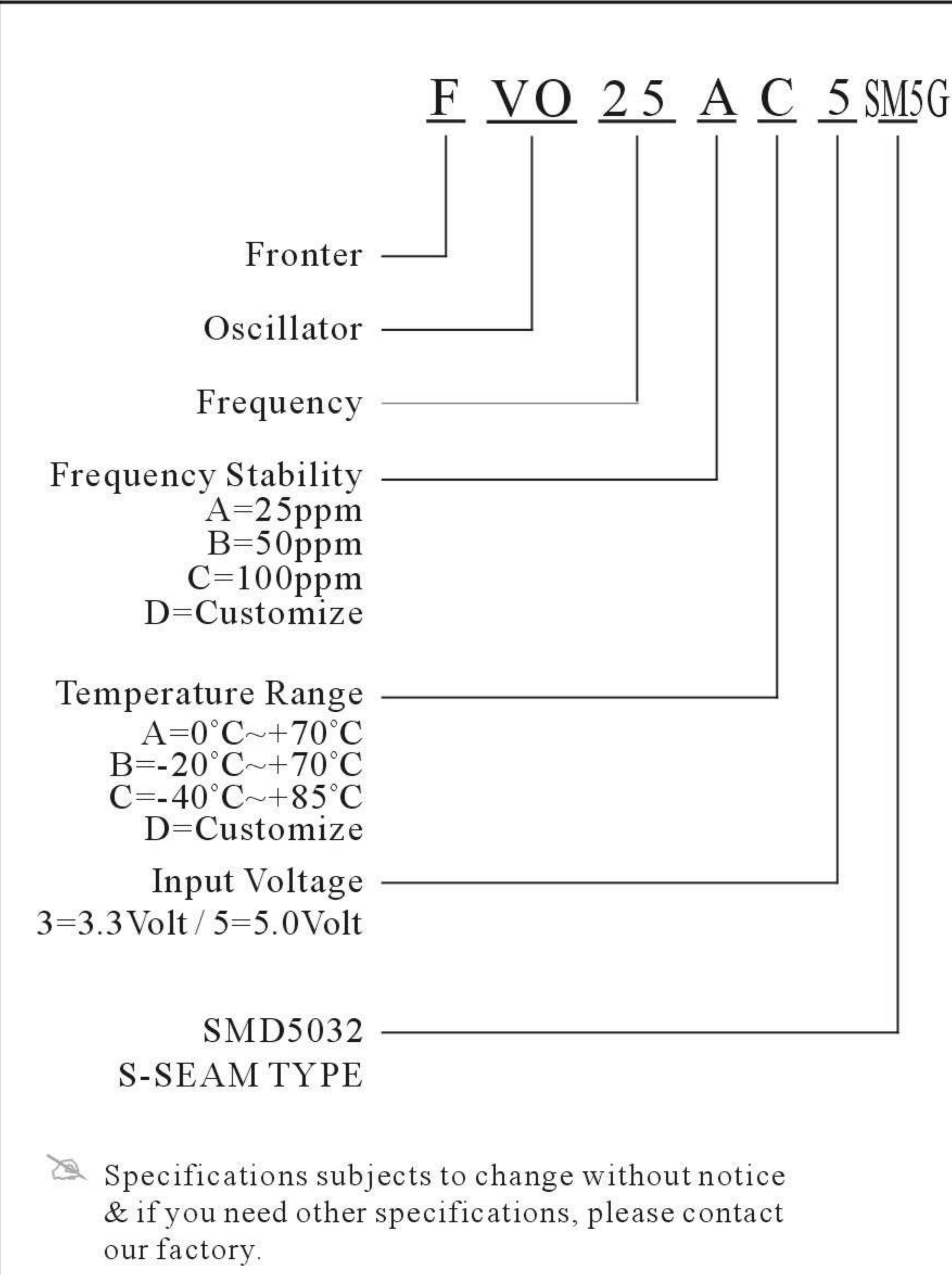
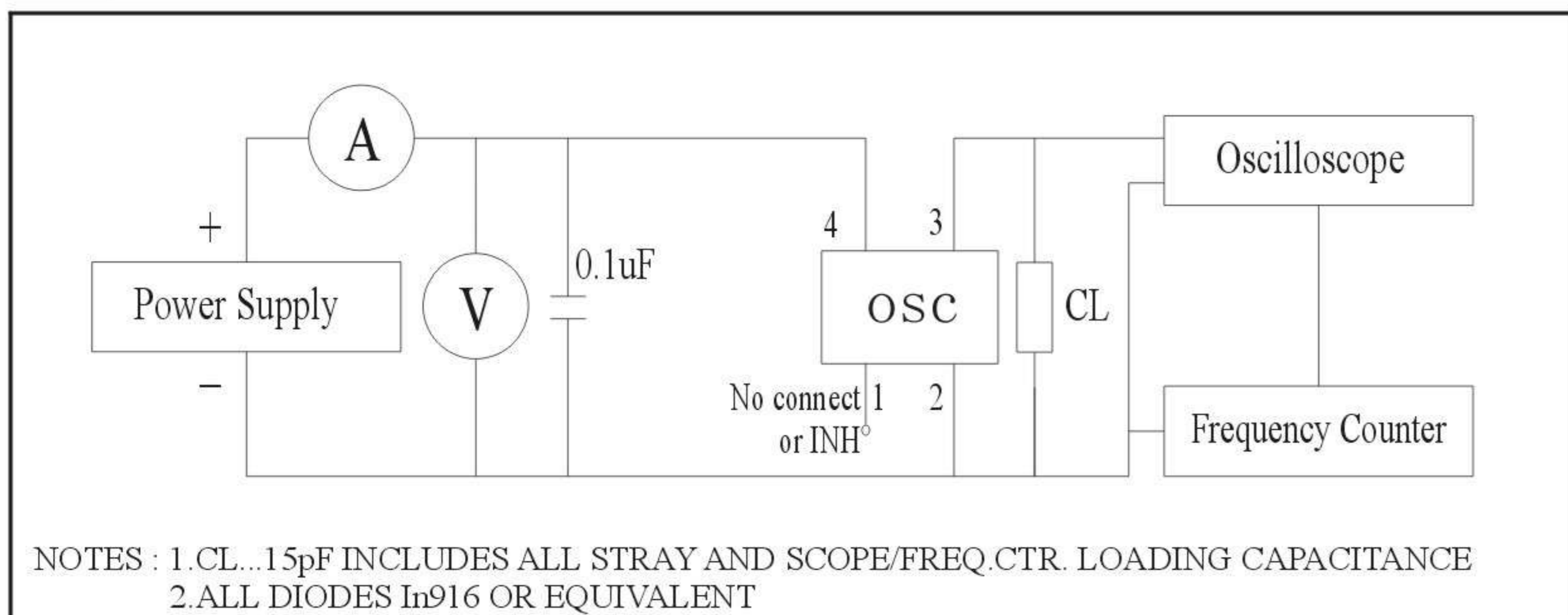
Low Height
High Speed CMOS
Notebook/PDA
CCD Applications


< PAD LAYOUT >

Pin No.	Function
1	Tri-state or no connect
2	GND
3	Frequency output
4	VCC

PARAMETERS 技术参数

ELECTRICAL SPECIFICATIONS	
Frequency Range 频率范围	0.700MHz ~ 66.666MHz
Frequency Stability 频率稳定度	±25ppm ±50ppm ±100ppm (Standard)
	Inclusive of operating temperature range
Operating Temperature Range 工作温度	-10°C~+70°C
Storage Temperature Range 储存温度	-40°C~+85°C
Input Voltage 输入电压	+5Vdc ± 0.5V +3.3Vdc ± 0.3V
Input Current 输入电流	60mA max 35mA max
0/1 Level 0/1 电平	+0.5V max/+4.5V min +0.4V max/+3.0V min
Symmetry 占空比	60/40% or 40/60% (Typical)
Rise & Fall time 上升时间/下降时间	10nS max(1.000MHz ~ 9.999MHz) 5nS max(10.000MHz ~ 125.000MHz)
Start up time 起振时间	15mS max(1.000MHz ~ 9.999MHz) 10mS max(10.000MHz ~ 125.000MHz)
Fan out 输出负载	1TTL ~ 10TTL or 15pF ~ 10TTL
Aging (at 25 °C) 老化率	± 5ppm / Year max
ENVIRONMENTAL & MECHANICAL SPECIFICATIONS	
Shock 抗冲击性能	FIL-STD-883C, Method 2002, Condition B
Vibration 抗振性能	FIL-STD-883C, Method 2007, Condition A
Solderability 焊接性能	FIL-STD-883C, Method 2003
Seal Integrity 密封性能	FIL-STD-883C, Method 1014, Condition C & A2
Marking 标记	FIL-STD-202F, Method 215

PART NUMBER GUIDE 部件号示例

TEST CIRCUIT 测试原理图

WAVE FORM 波形图
