

All rights reserved, Copyright Kradox 2017

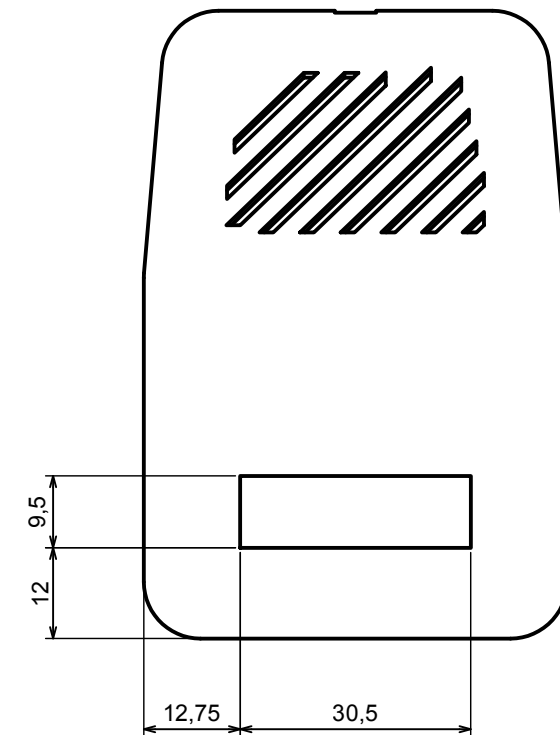
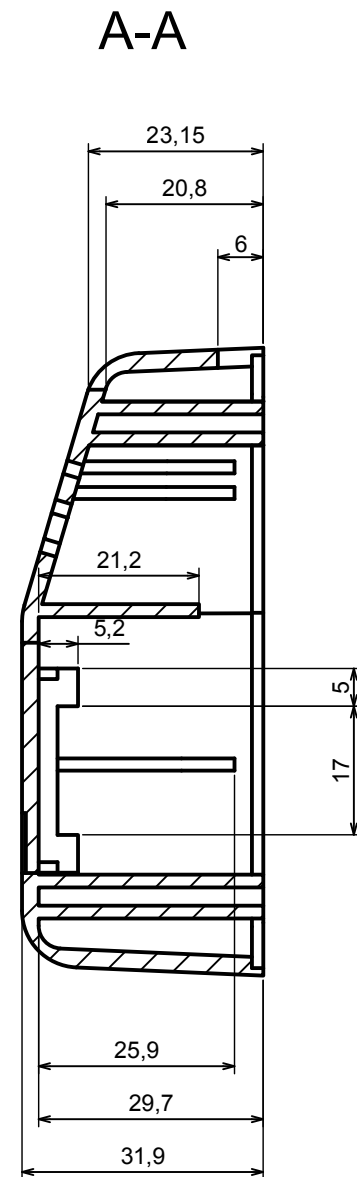
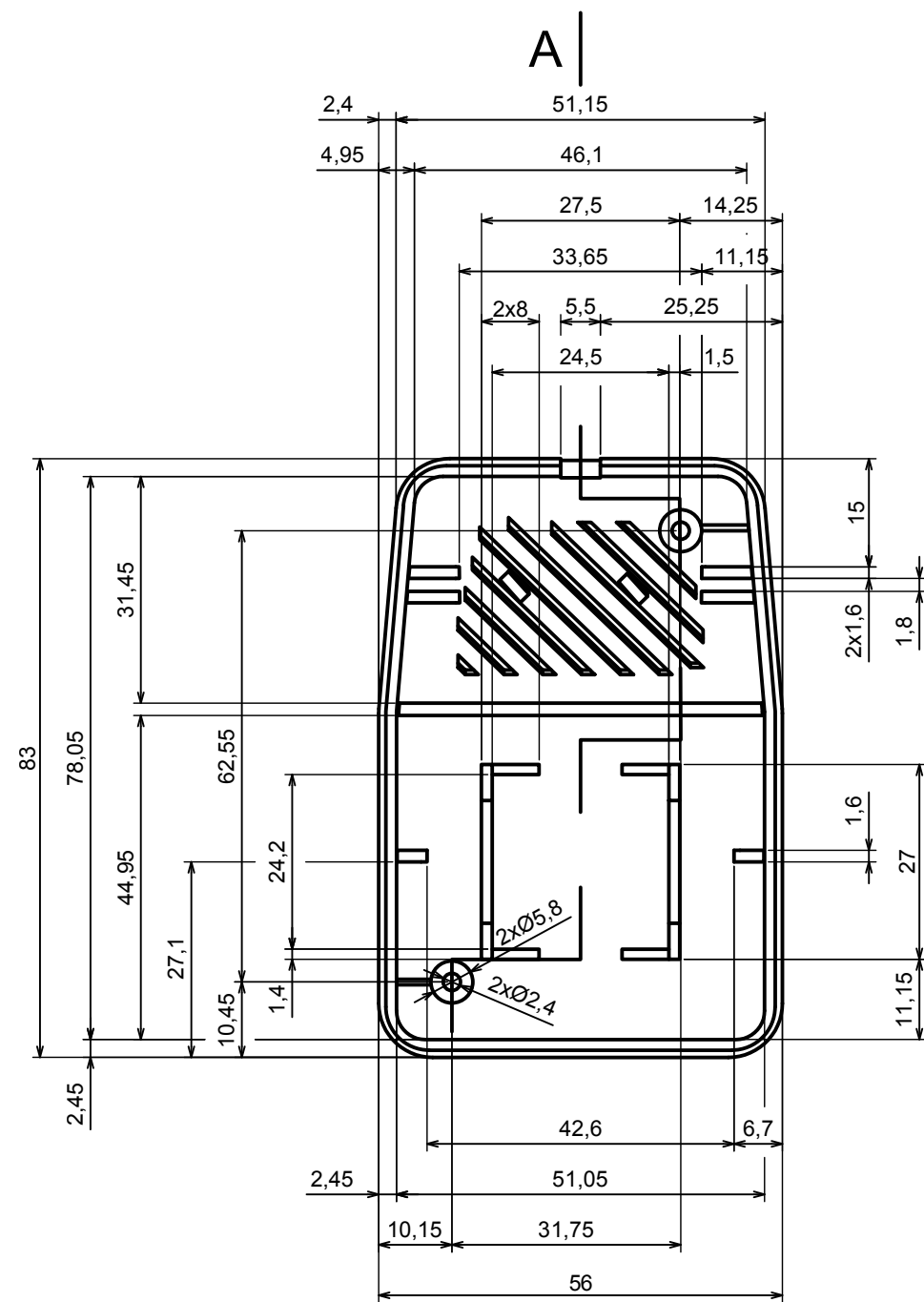
Product model Enclosure Z42 - Assembly

Format: A3 Material: PS, ABS

Scale 1:1 Tolerance: +/- 1







A |

All rights reserved, Copyright Kradox 2017

Product model Enclosure Z42 - Cover

Format: A3 Material: PS, ABS

Scale 1:1 Tolerance: +/- 1

